

# ACME-SHOREY

PRECAST CONCRETE PRODUCTS

WWW.ACMESHOREY.COM

PHONE (508) 548-9607

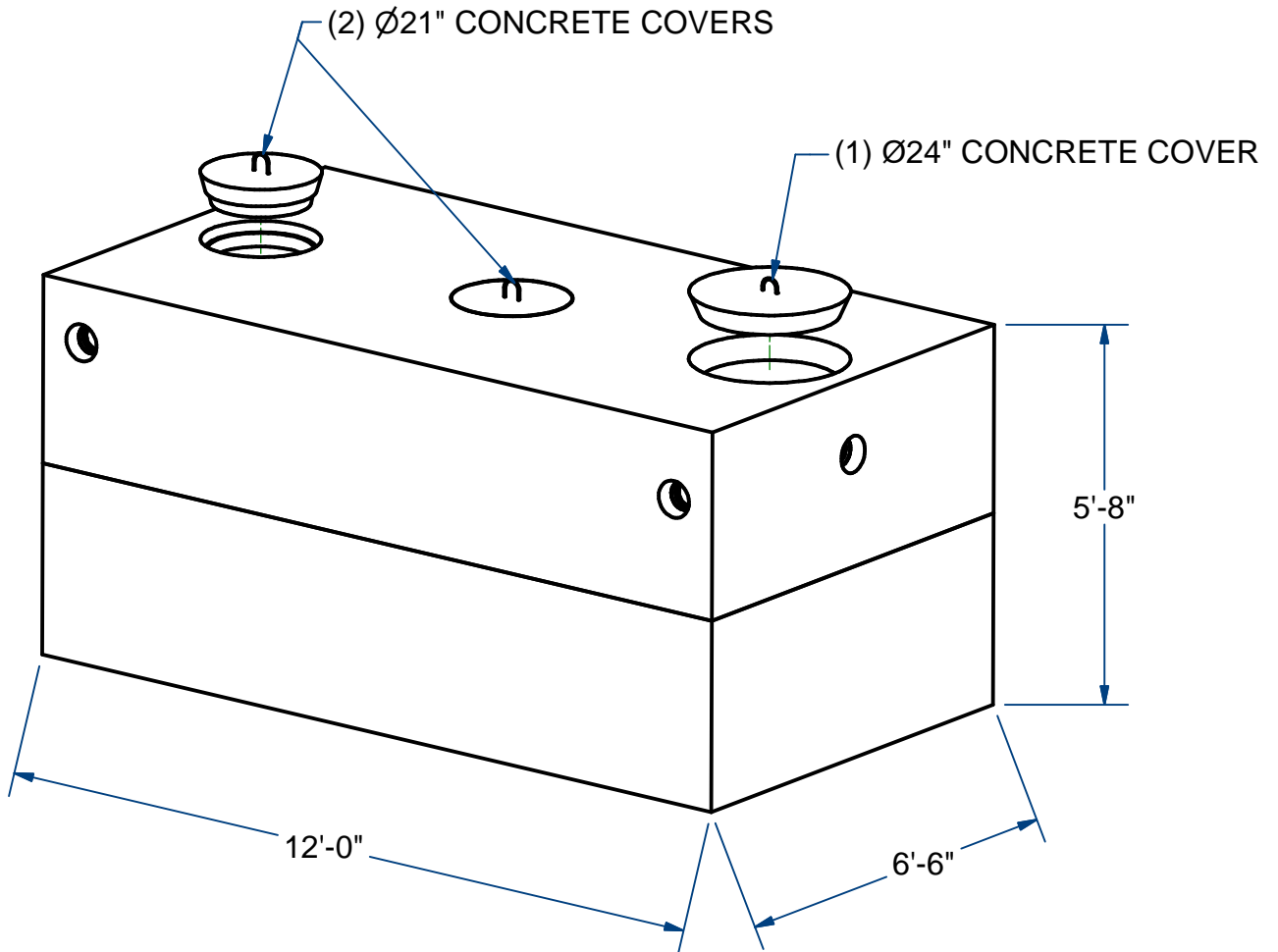
FAX (508) 548-1664

CARVER, MA  
334 TREMONT STREET

HARWICH, MA  
36 GREAT WESTERN ROAD

## NOTES:

- 1.) SEAM SEALED WITH FLEXIBLE BUTYL RUBBER SEALANT.



## PUMP CHAMBER

H10

2000 Gallon

ITEM# PC20

Wt. 18,000 Lbs

2 -6.1

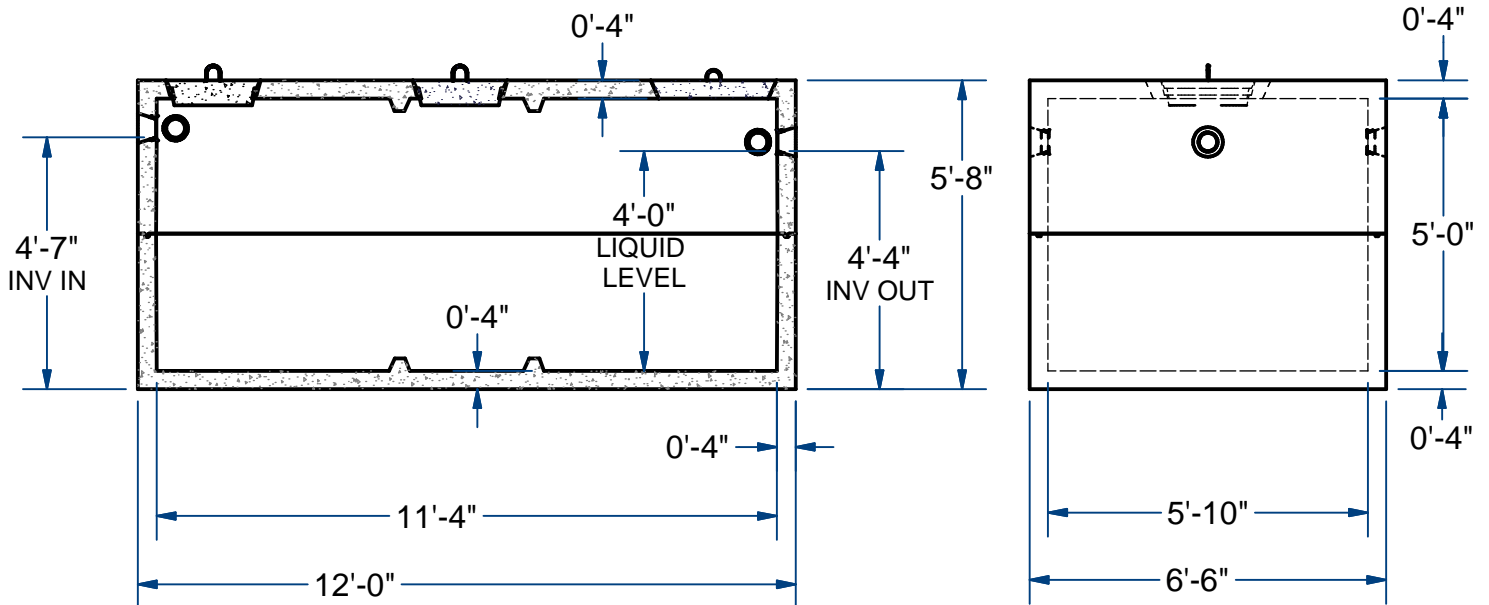
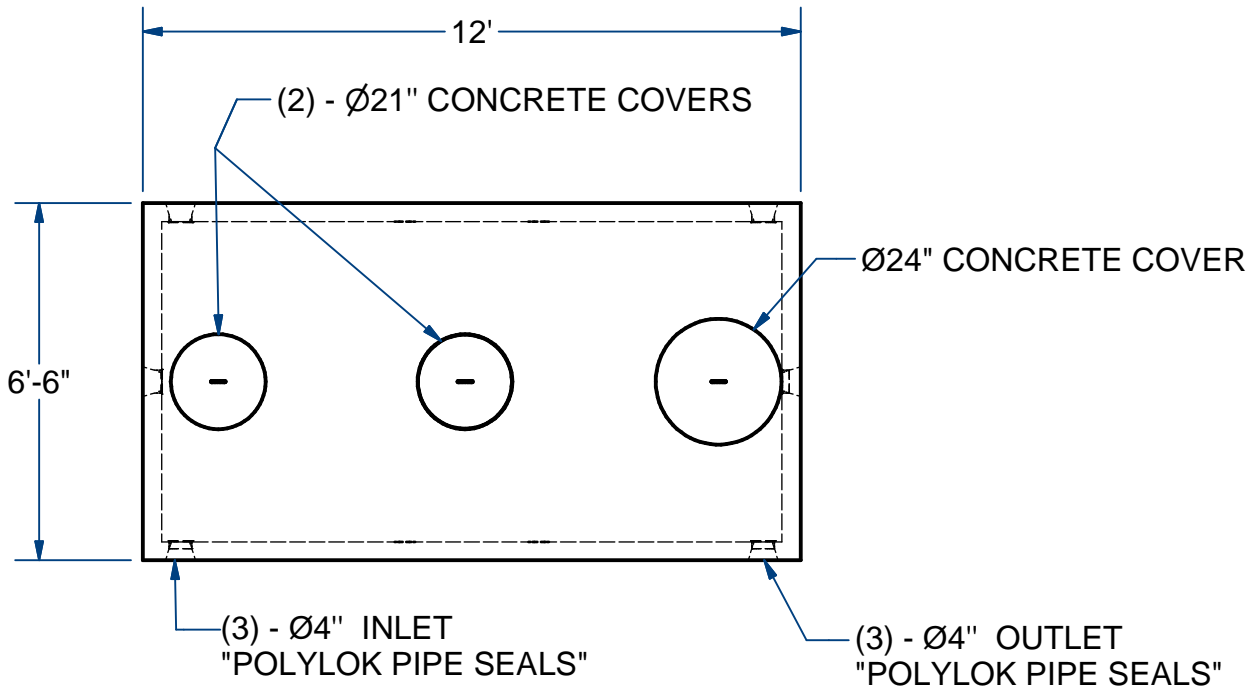
Sht 1 of 2

# ACME-SHOREY

PRECAST CONCRETE PRODUCTS

**NOTES:**

- 1.) SEAM SEALED WITH FLEXIBLE BUTYL RUBBER SEALANT.



**NAME: PUMP CHAMBER, 2,000 Gallon**

**H-10**

**ITEM# PC20**

Concrete Minimum Strength: 4,000 p.s.i. at 28 days  
 Steel Reinforcement: ASTM A615, Grade 60  
 Design Loading: standard units - AASHTO - H10

TOP 9,000 Lbs  
 BOTTOM 9,000 Lbs

AS

DATE: 3-1-2018