

ACME-SHOREY

PRECAST CONCRETE PRODUCTS

WWW.ACMESHOREY.COM

PHONE (508) 548-9607

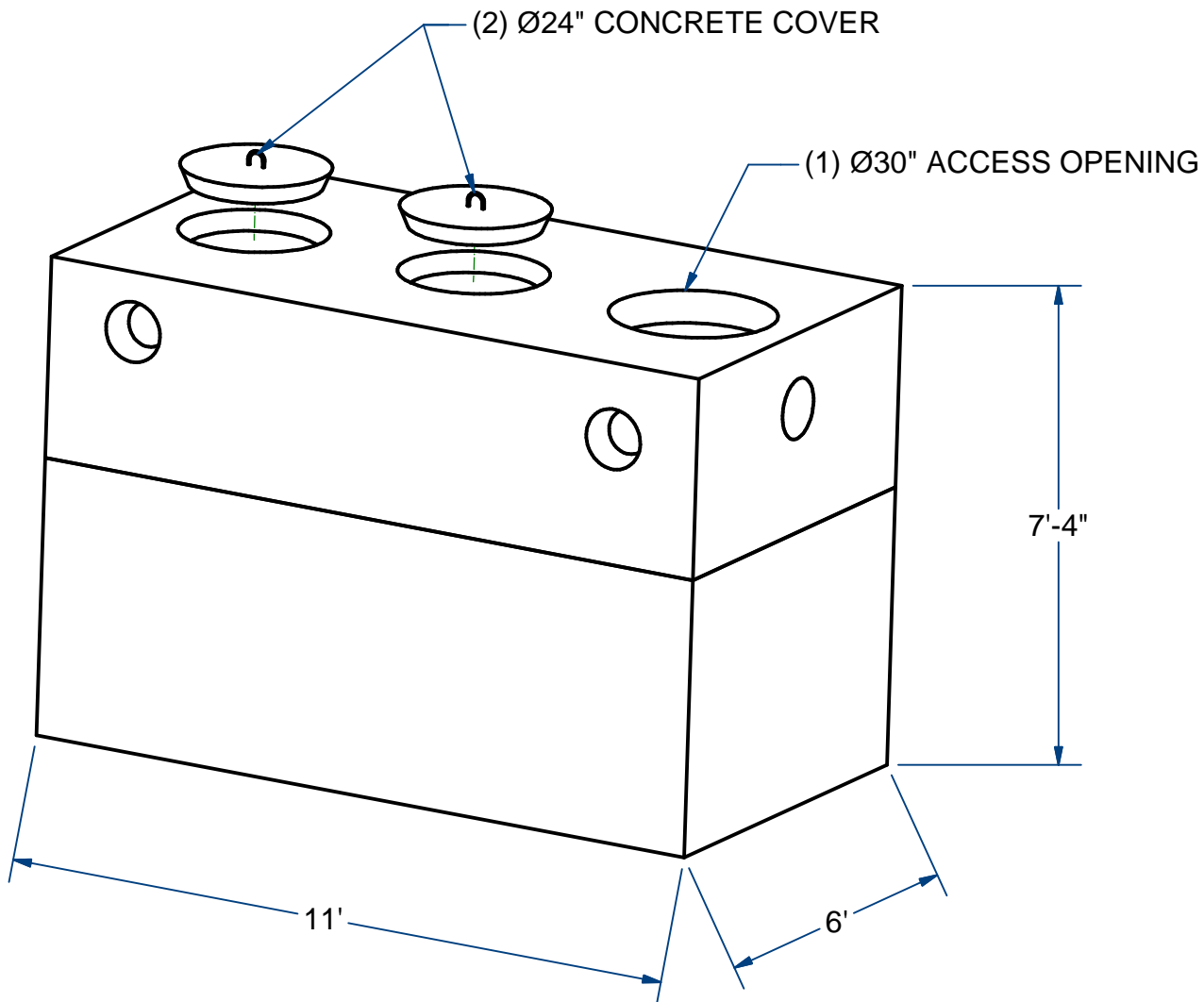
FAX (508) 548-1664

CARVER, MA
334 TREMONT STREET

HARWICH, MA
36 GREAT WESTERN ROAD

NOTES:

- 1.) SEAM SEALED WITH FLEXIBLE BUTYL RUBBER SEALANT.



PUMP CHAMBER

H20

2,000 Gallon

ITEM# PC20230

Wt. 26,000 Lbs

9 -9.2

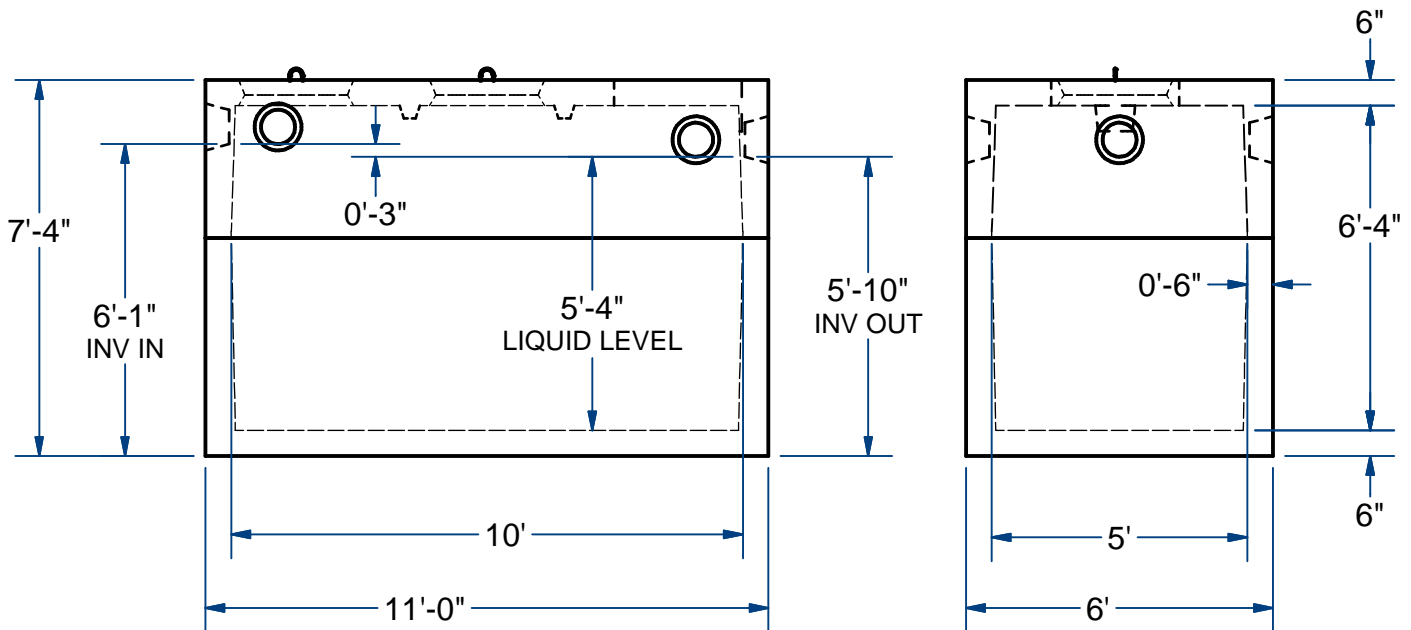
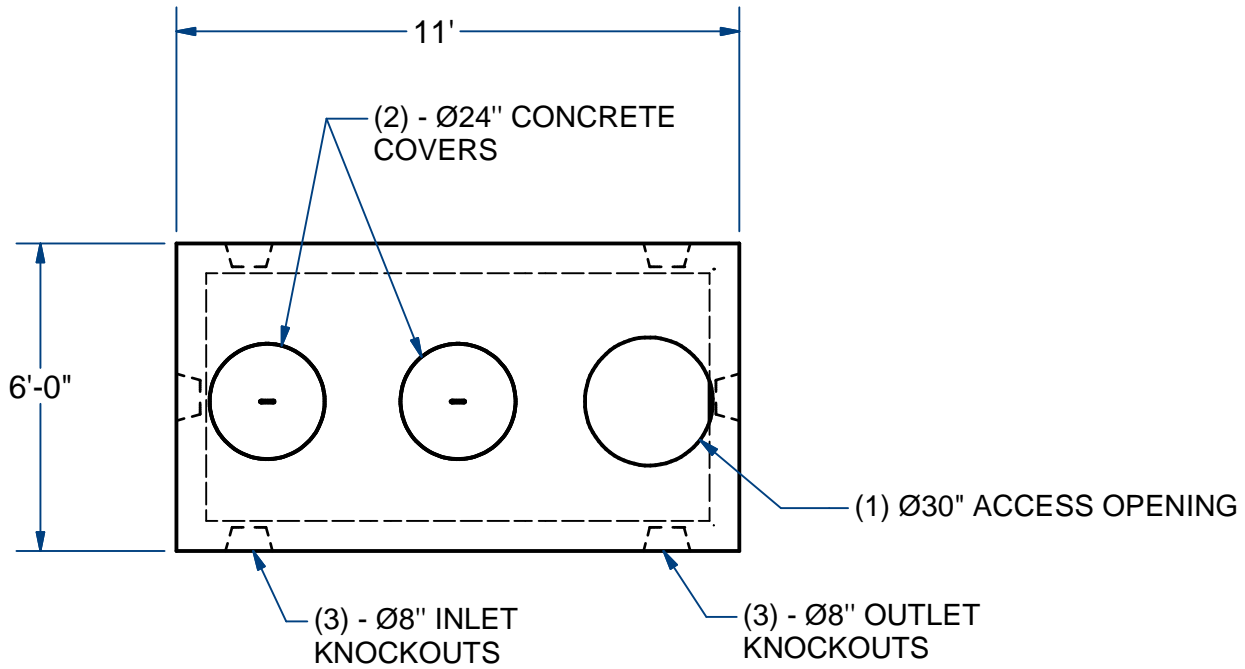
Sht 1 of 2

ACME-SHOREY

PRECAST CONCRETE PRODUCTS

NOTES:

1.) SEAM SEALED WITH FLEXIBLE BUTYL RUBBER SEALANT.



NAME: PUMP CHAMBER , 2000 Gallon

H-20

ITEM# PC20230

Concrete Minimum Strength: 5,000 p.s.i. at 28 days
 Steel Reinforcement: ASTM A615, Grade 60
 Design Loading: standard units - AASHTO - H20

TOP 11,000 Lbs
 BOTTOM 15,000 Lbs

H

DATE: 3-2-2019

Ch 9 Pg 9.2 Sht 2 of 2