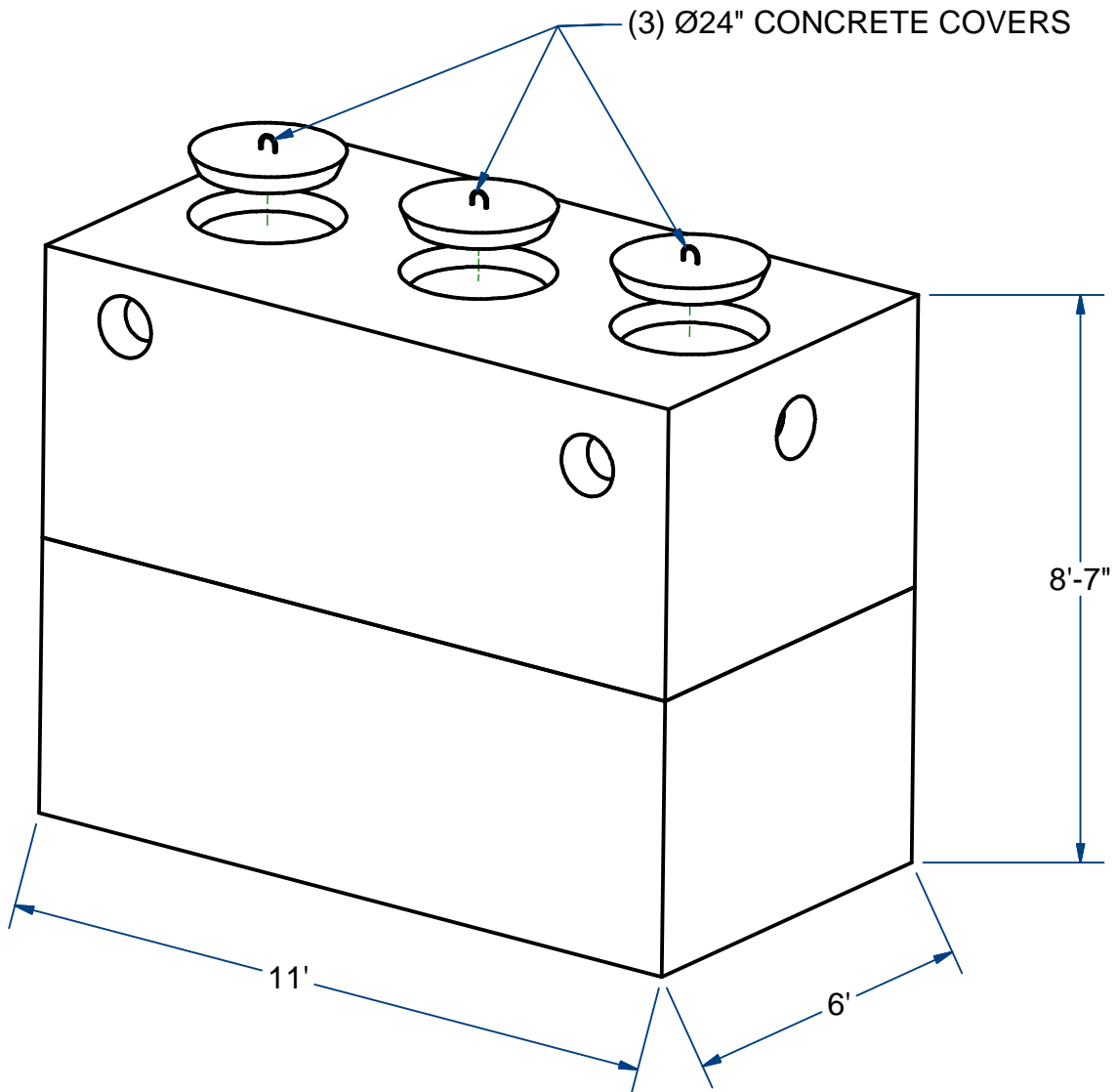


NOTES:

- 1.) SEAM SEALED WITH FLEXIBLE BUTYL RUBBER SEALANT.



PUMP CHAMBER

H20

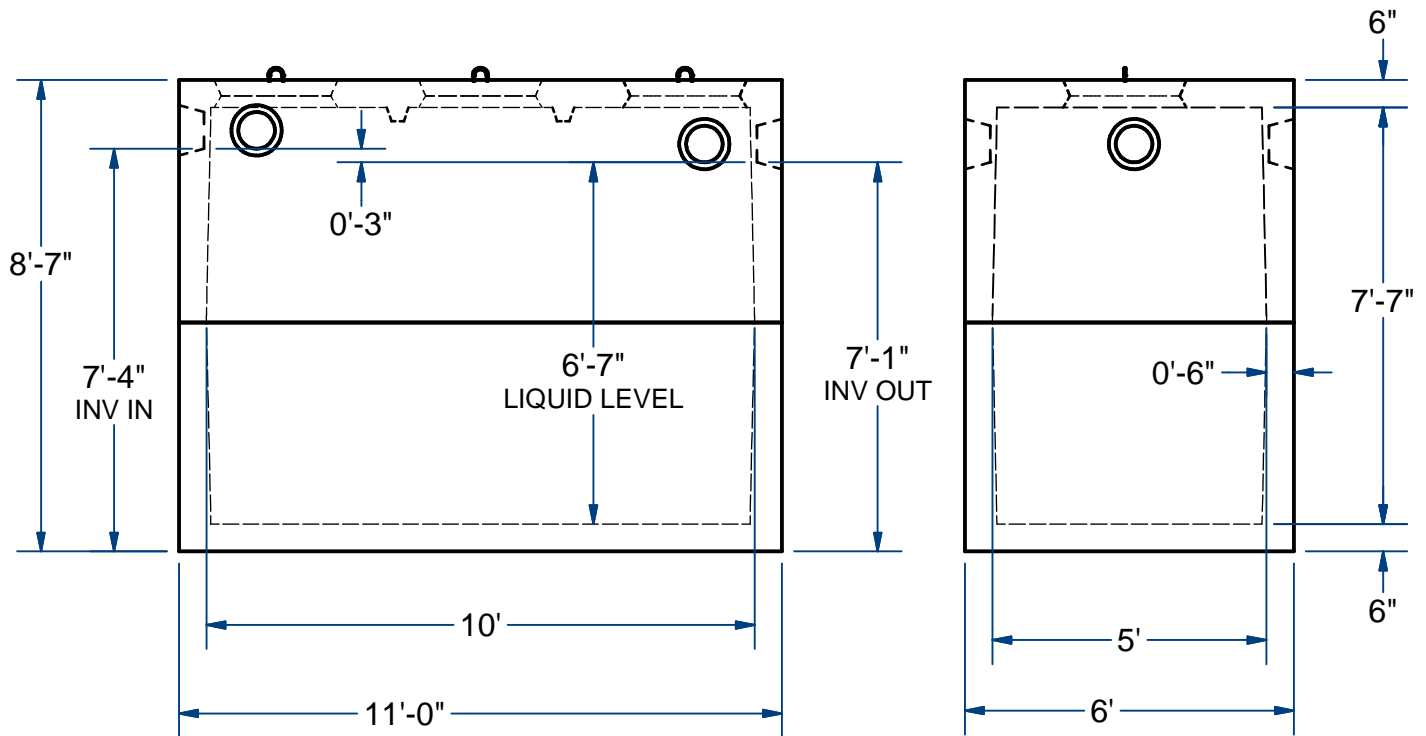
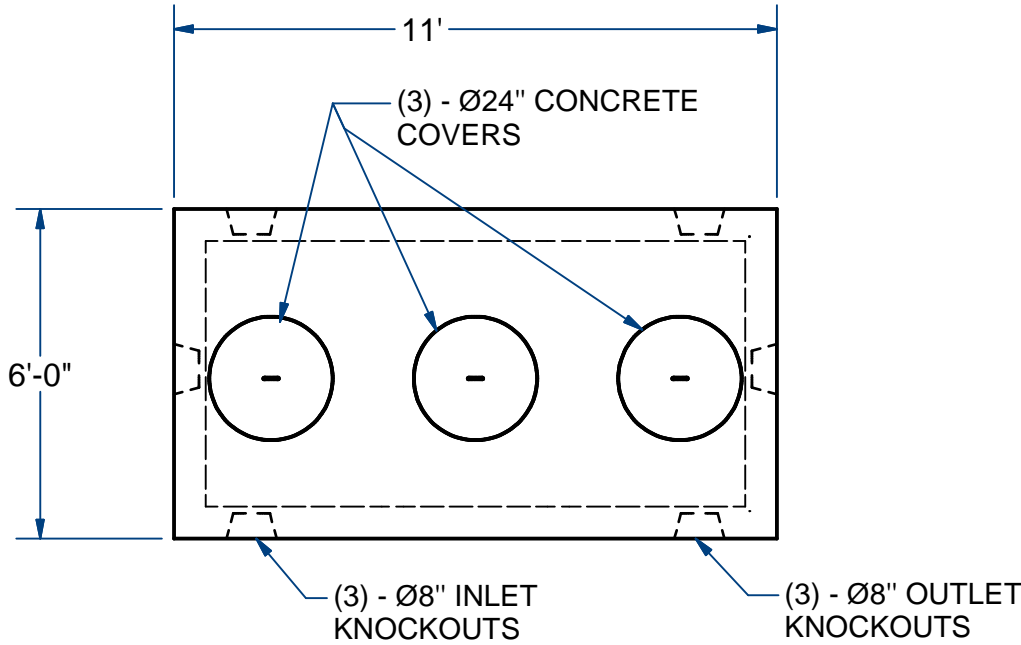
2,500 Gallon

ACME-SHOREY

PRECAST CONCRETE PRODUCTS

NOTES:

- 1.) SEAM SEALED WITH FLEXIBLE BUTYL RUBBER SEALANT.



NAME: PUMP CHAMBER , 2500 Gallon

H-20

ITEM# PC252

Concrete Minimum Strength: 5,000 p.s.i. at 28 days
 Steel Reinforcement: ASTM A615, Grade 60
 Design Loading: standard units - AASHTO - H20

TOP 15,000 Lbs
 BOTTOM 14,500 Lbs

H DATE: 3-3-2019
 Ch 9 Pg 11.1 Sht 2 of 2