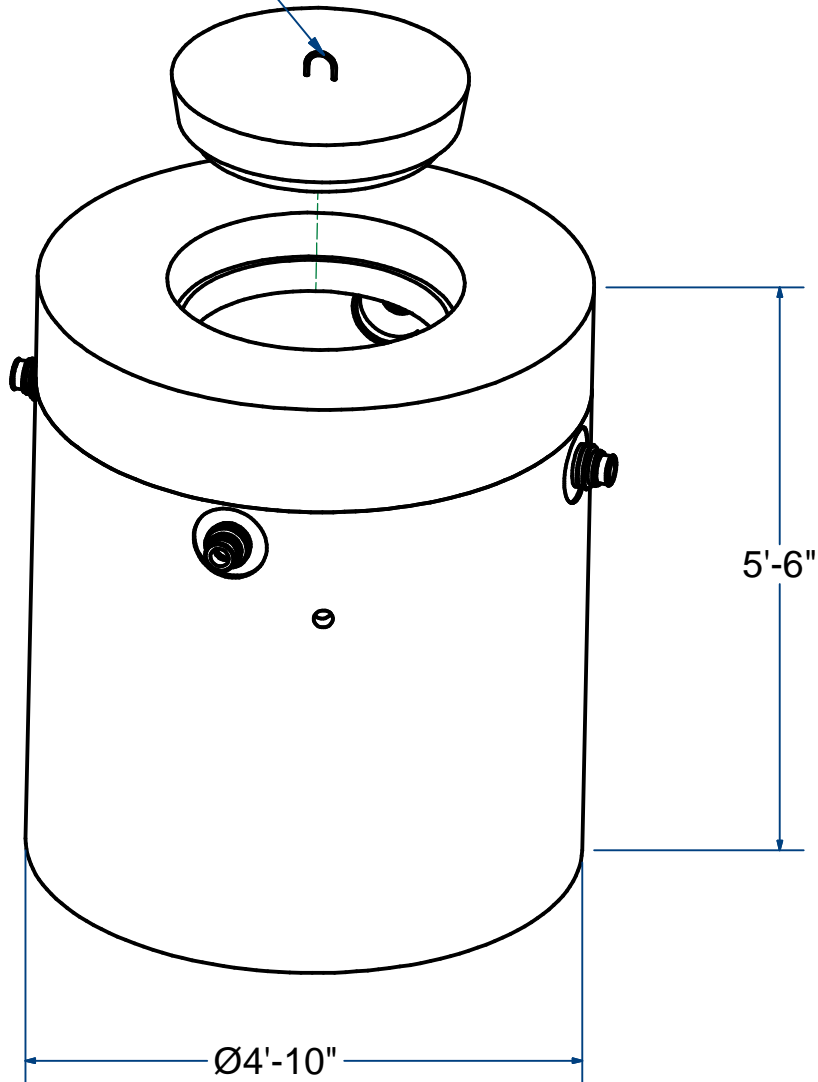


NOTES:

- 1.) SEAM SEALED WITH FLEXIBLE BUTYL RUBBER SEALANT.

CONCENTRIC TAPERED
CONCRETE COVER
(Ø26" CLEAR OPENING.)



PUMP CHAMBER 4' I.D. NANTUCKET SPECIAL

335 Gallon

H2O

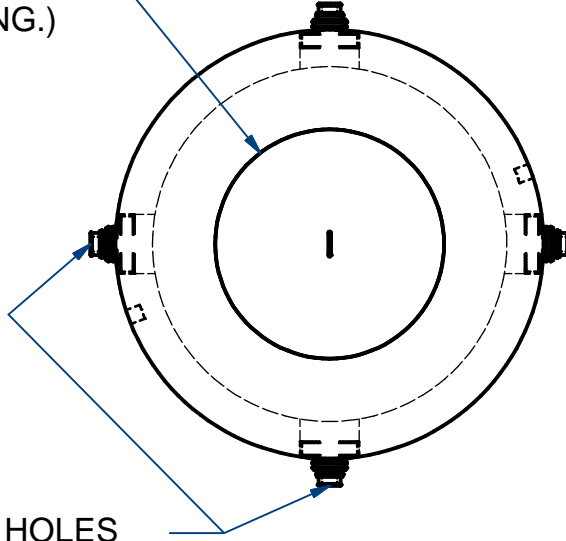
ACME-SHOREY

PRECAST CONCRETE PRODUCTS

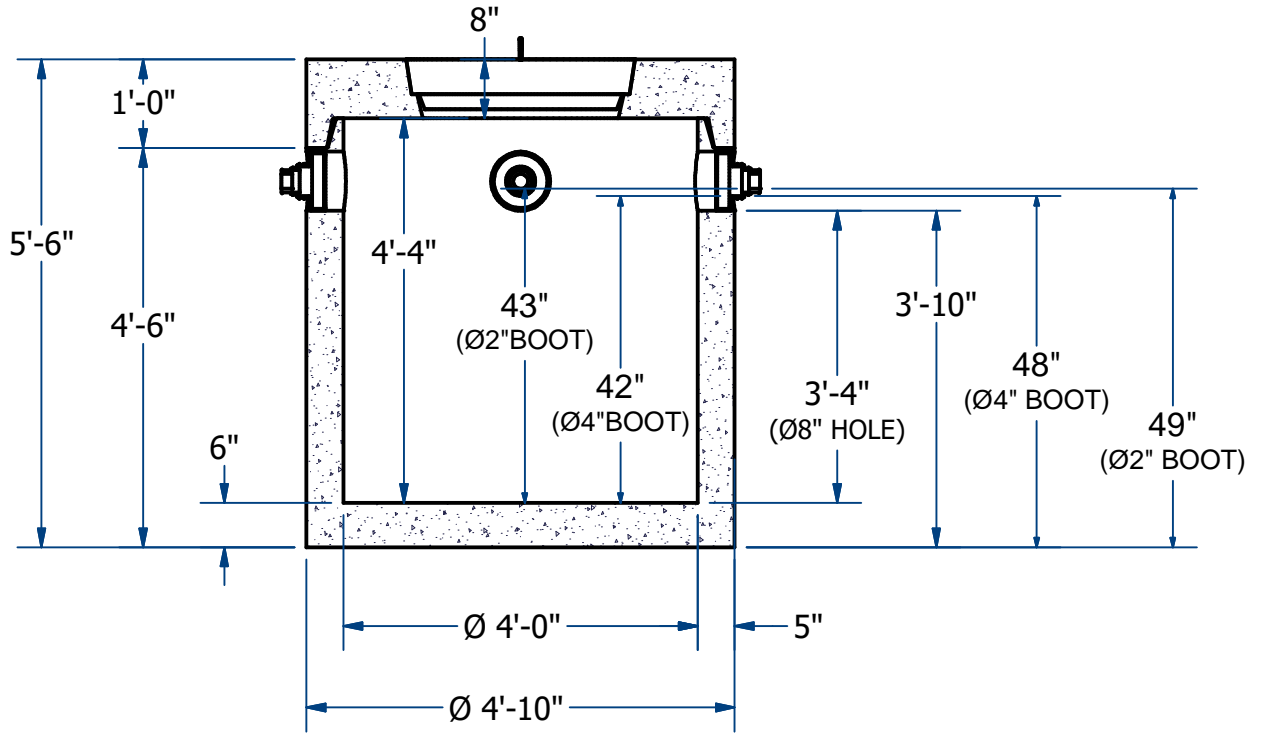
NOTES:

- 1.) SEAM SEALED WITH FLEXIBLE BUTYL RUBBER SEALANT.
- 2.) OPTIONAL ITEMS:
 - A.) COATING.
 - B.) EXTENDED BASE.
- 3.) STD COVER TAPERS FROM Ø30" TO Ø26".

CONCENTRIC TAPERED
CONCRETE COVER
(Ø26" CLEAR OPENING.)



(4) Ø8" HOLES
W/Ø 2"-4" BOOTS
@ QUADRANTS



NAME: PUMP CHAMBER, 4' ID, NANTUCKET SPECIAL
(335 GALLONS W/(4) BOOTS)

H-20

ITEM# PCR4335BNS

Concrete Minimum Strength: 5,000 p.s.i. at 28 days
Steel Reinforcement: ASTM A615, Grade 60
Design Loading: standard units - AASHTO - H20

TOP 1,500
BOTTOM 5,200

Lbs
Lbs

CH

DATE: 1-21-21

Ch 9 Pg 1.3 Sht 2 of 2