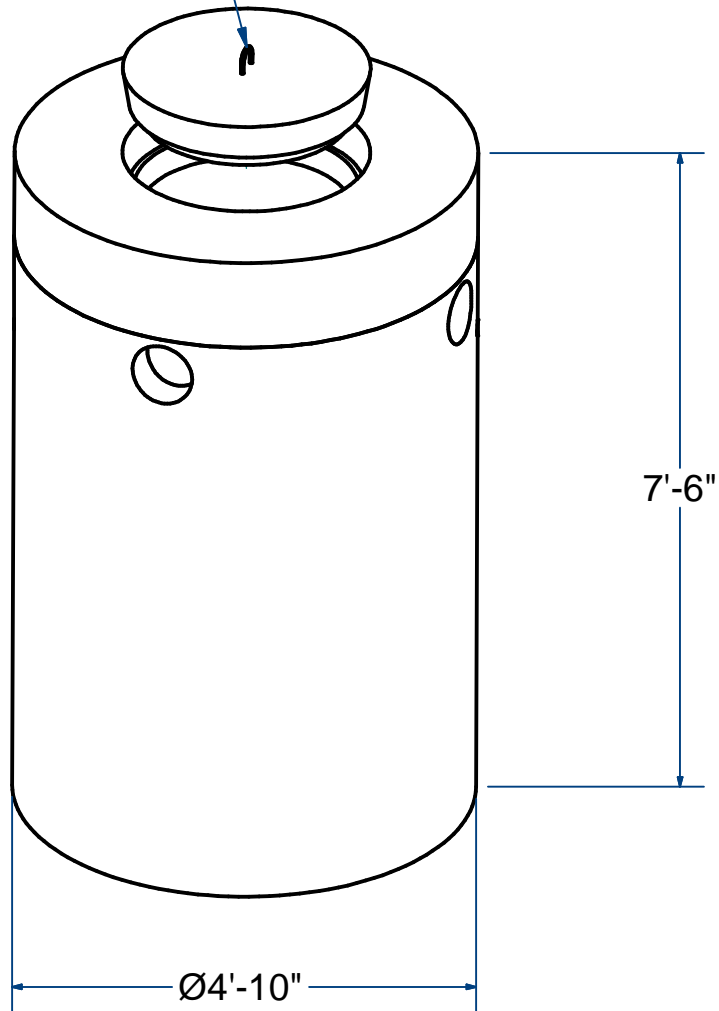


NOTES:

- 1.) SEAM SEALED WITH FLEXIBLE BUTYL RUBBER SEALANT.

CONCENTRIC TAPERED CONCRETE COVER  
Ø26" CLEAR OPENING.



## PUMP CHAMBER 4' I.D.

H20

500 Gallon

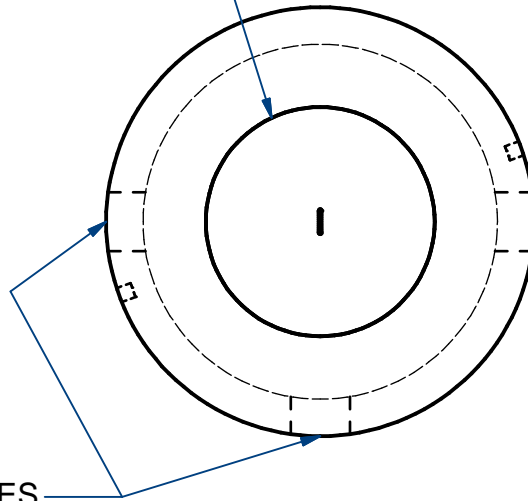
# ACME-SHOREY

PRECAST CONCRETE PRODUCTS

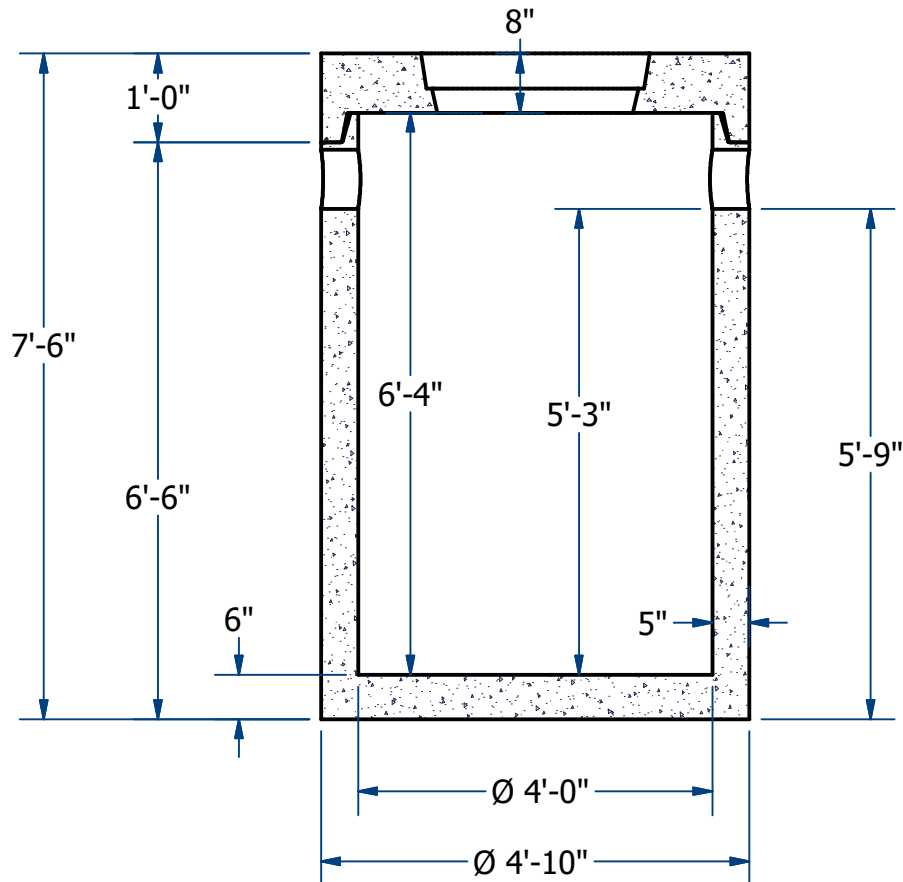
**NOTES:**

- 1.) SEAM SEALED WITH FLEXIBLE BUTYL RUBBER SEALANT.
- 2.) OPTIONAL ITEMS:
  - A.) BOOTS.
  - B.) COATING.
  - C.) EXTENDED BASE.
- 3.) STD COVER TAPERS FROM Ø30" TO Ø26".

CONCENTRIC TAPERED CONCRETE COVER  
Ø26" CLEAR OPENING.



(3) Ø8" FORMED HOLES  
@ 3,6,& 9 O'Clock



**NAME: PUMP CHAMBER, 4'ID, 500 Gallons**

**H-20**

**ITEM# PCR45**

Concrete Minimum Strength: 5,000 p.s.i. at 28 days  
Steel Reinforcement: ASTM A615, Grade 60  
Design Loading: standard units - AASHTO - H20

TOP 1,500 Lbs  
BOTTOM 7,100 Lbs

C

DATE: 1-11-23