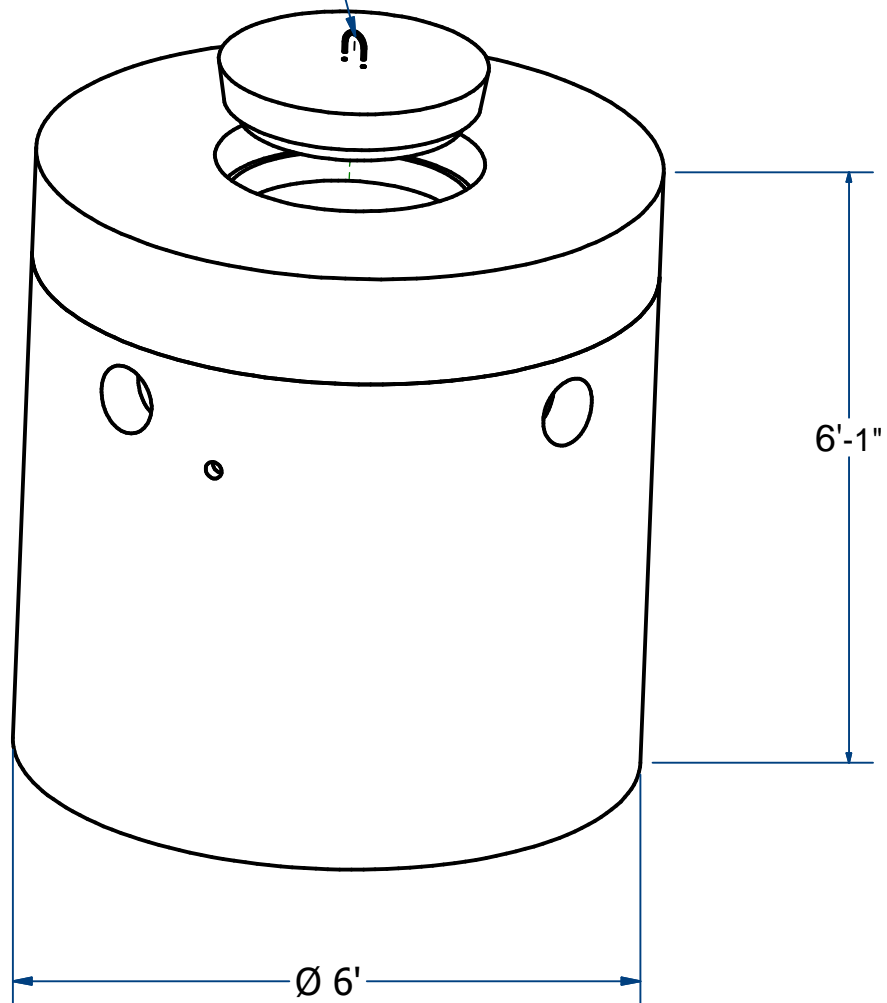


NOTES:

- 1.) SEAM SEALED WITH FLEXIBLE BUTYL RUBBER SEALANT.

CONCENTRIC TAPERED CONCRETE COVER
Ø26" CLEAR OPENING.



PUMP CHAMBER 5' I.D.

H20

500 Gallon

