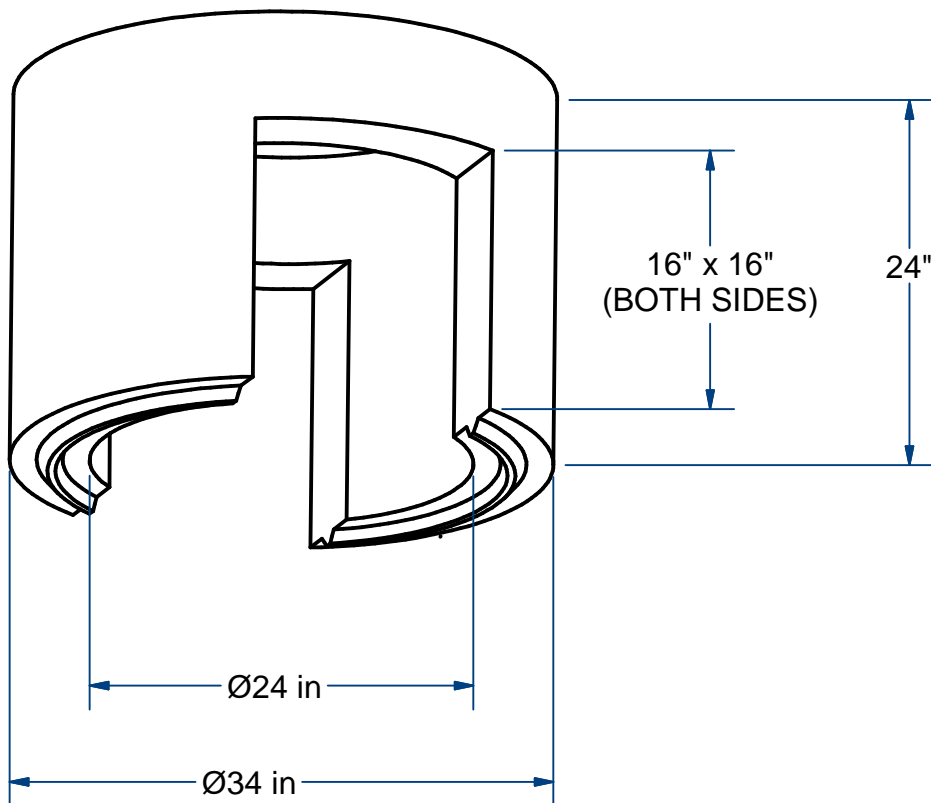


NOTES:

- 1.) RISERS HAVE A TOP GROOVE & BOTTOM LIP TO ALIGN WHEN STACKED.



RISER 24" ID W2/ 16" X 16" DOGHOUSE CUTOUTS

H20

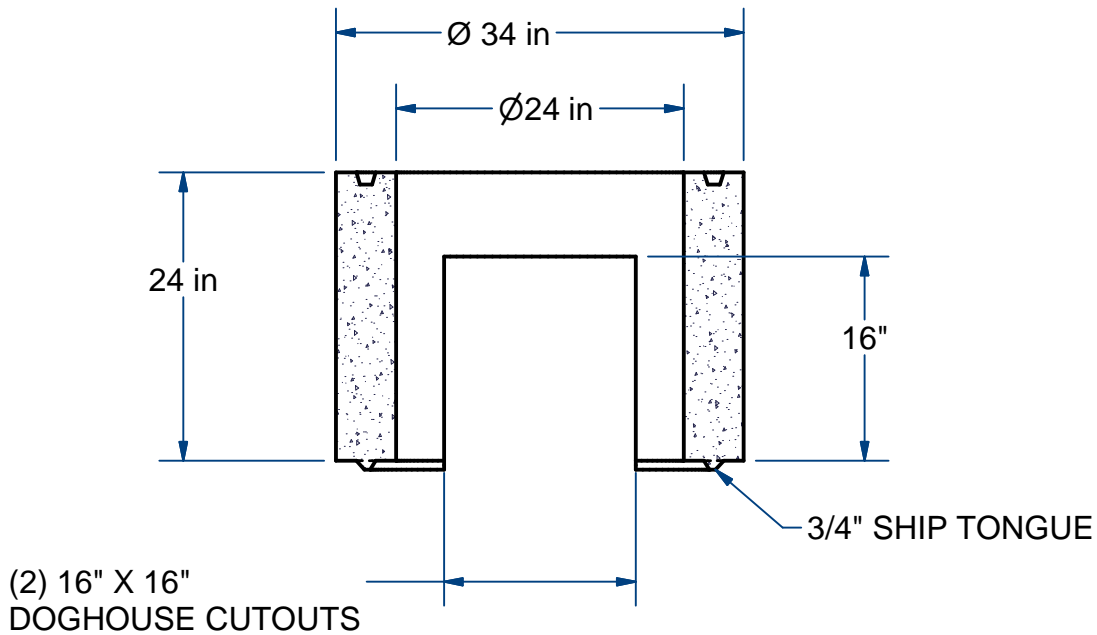
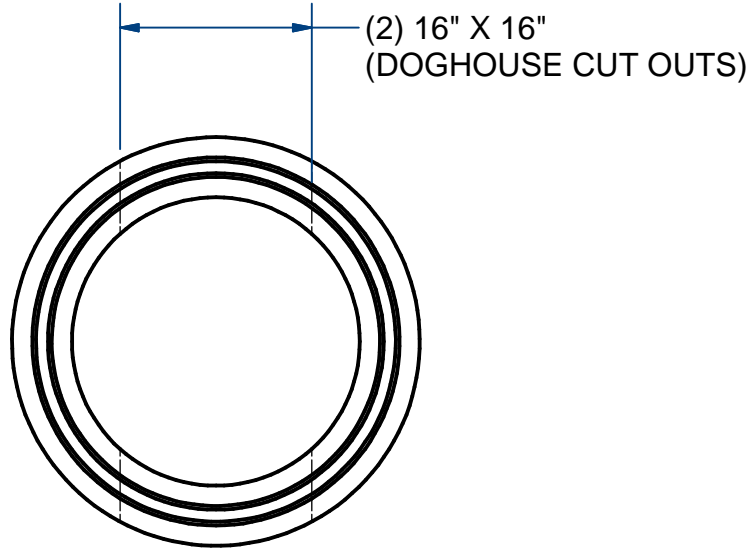
24"Ht

ACME-SHOREY

PRECAST CONCRETE PRODUCTS

NOTES:

- 1.) RISERS HAVE A TOP GROOVE & BOTTOM LIP TO ALIGN WHEN STACKED.



NAME: RISER 24"ID W/ DOGHOUSE CUTOUTS

H-20

ITEM# R24x24DOG-2

Concrete Minimum Strength: 5,000 p.s.i. at 28 days
Steel Reinforcement: ASTM A615, Grade 60
Design Loading: standard units - AASHTO - H20

WEIGHT 840

Lbs

C

DATE: 5-18-23

Ch 13 Pg 6.2 Sht 2 of 2