

ACME-SHOREY

PRECAST CONCRETE PRODUCTS

WWW.ACME-SHOREY.COM

PHONE (508) 548-9607

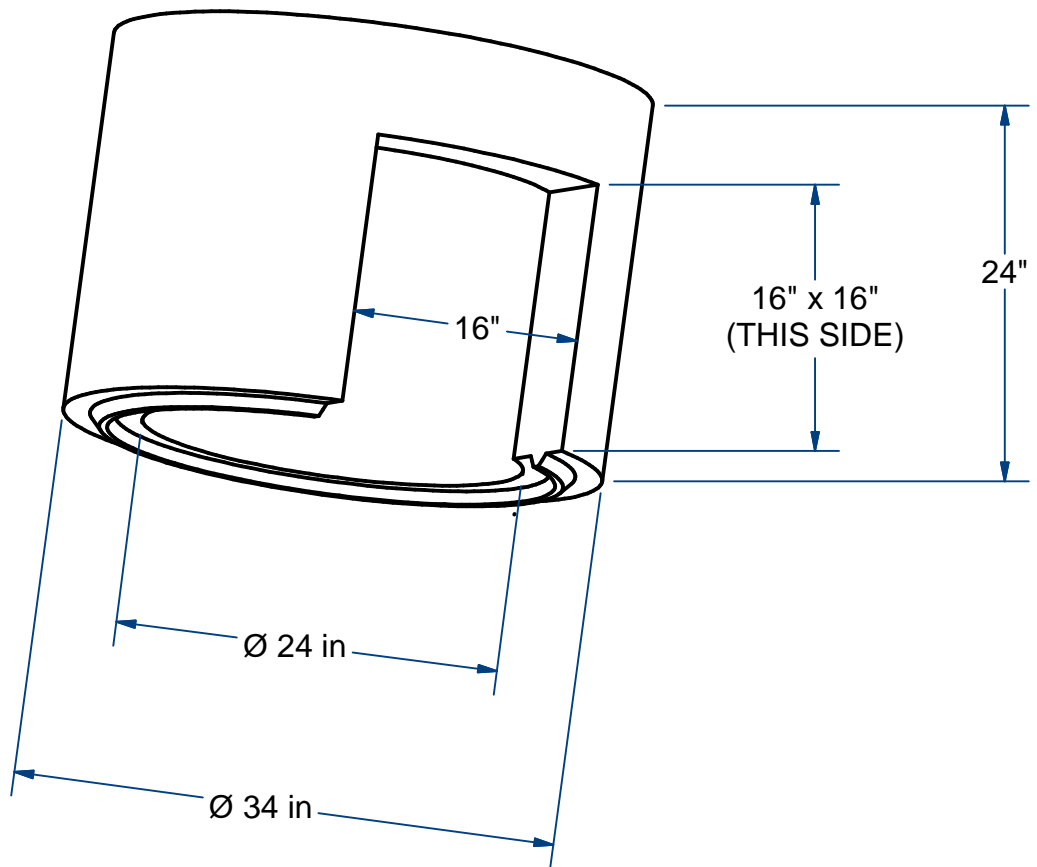
FAX (508) 548-1664

CARVER, MA
334 TREMONT STREET

HARWICH, MA
36 GREAT WESTERN ROAD

NOTES:

- 1.) RISERS HAVE A TOP GROOVE & BOTTOM LIP TO ALIGN WHEN STACKED.



RISER 24" ID W/16" X 16" DOGHOUSE

H20
24"Ht.

ITEM# R24x24DOG

Wt. 840

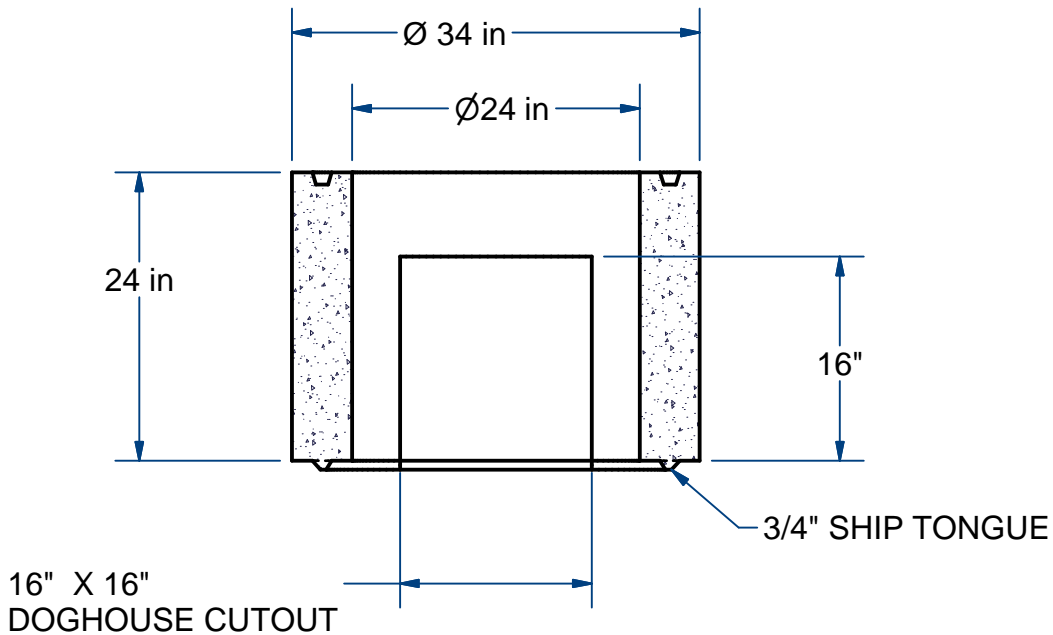
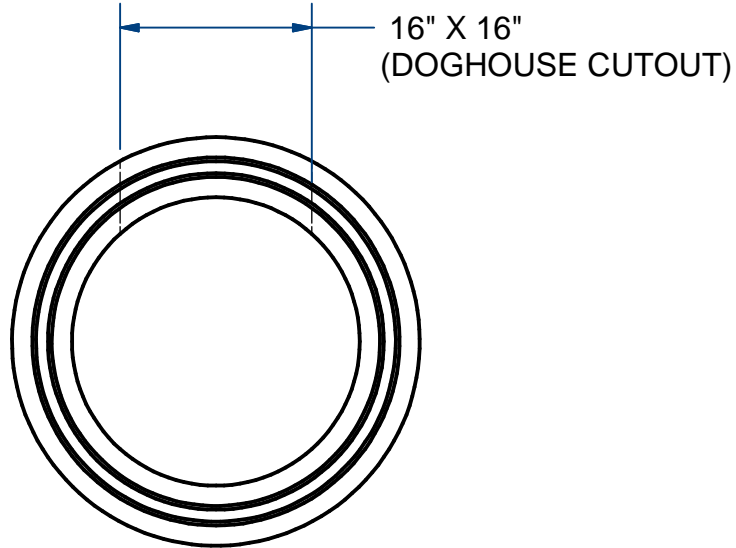
Lbs

13-6.1

Sht 1 of 2

NOTES:

- 1.) RISERS HAVE A TOP GROOVE & BOTTOM LIP TO ALIGN WHEN STACKED.



NAME: RISER 24"ID X 24"Ht W/ DOGHOUSE

H-20

ITEM# R24x24DOG

Concrete Minimum Strength: 5,000 p.s.i. at 28 days
Steel Reinforcement: ASTM A615, Grade 60
Design Loading: standard units - AASHTO - H20

WEIGHT 840

Lbs

C

DATE: 5-18-23