

ACME-SHOREY

PRECAST CONCRETE PRODUCTS

WWW.ACMESHOREY.COM

PHONE (508) 548-9607

FAX (508) 548-1664

CARVER, MA

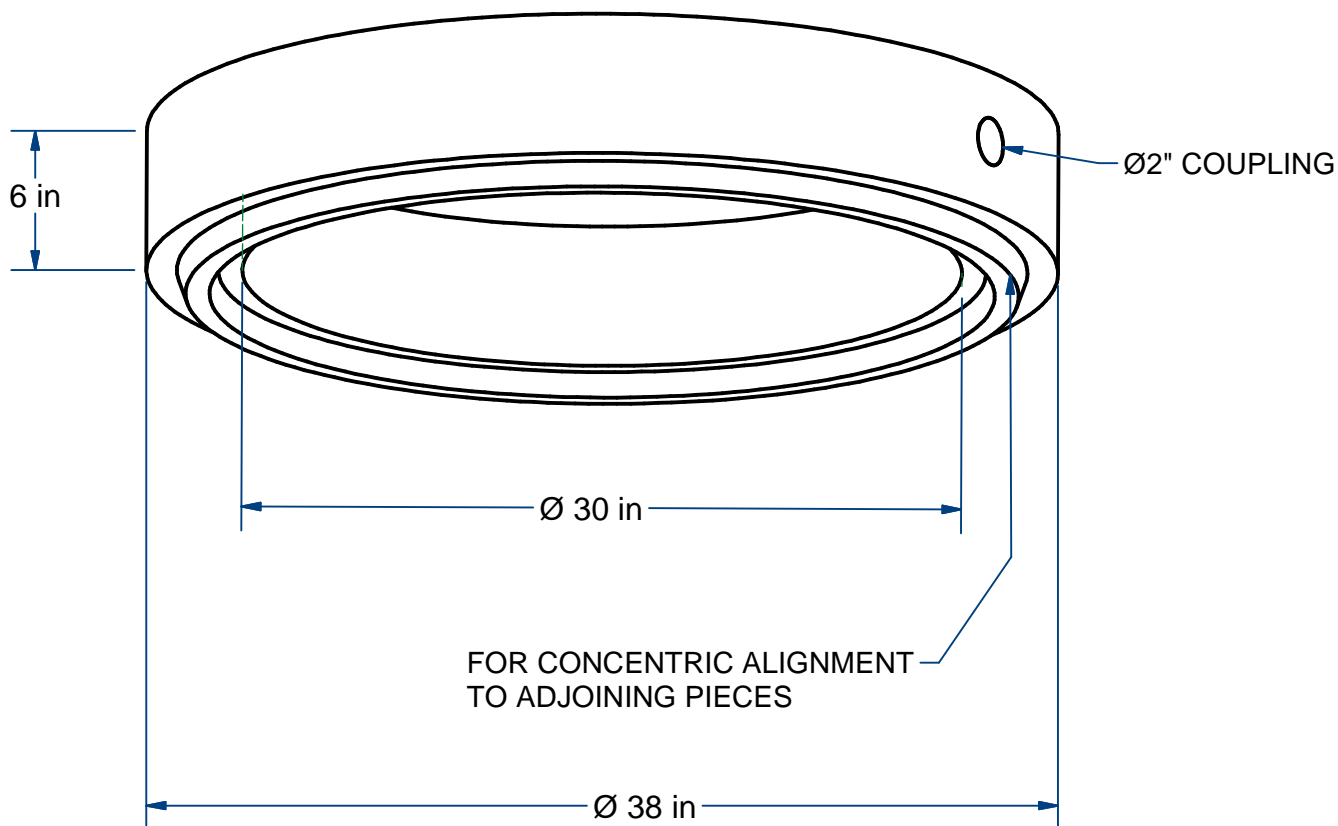
334 TREMONT STREET

HARWICH, MA

36 GREAT WESTERN ROAD

NOTES:

- 1.) \varnothing 2" COUPLING MAY BE SLEEVED DOWN FOR ELECTRICAL CONDUIT.
- 2.) TYPICALLY USED FOR ELECTRICAL PUMPS OR ALARMS.



RISER 30" ID W/2" COUPLING

H20

6" Ht.

ITEM# R30X06FH

Wt. 240

Lbs

13-5.2

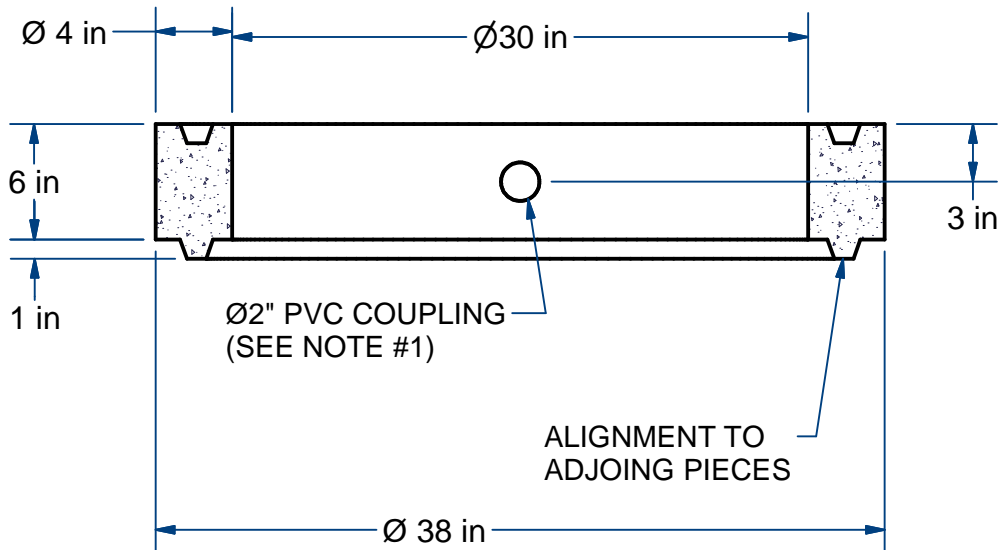
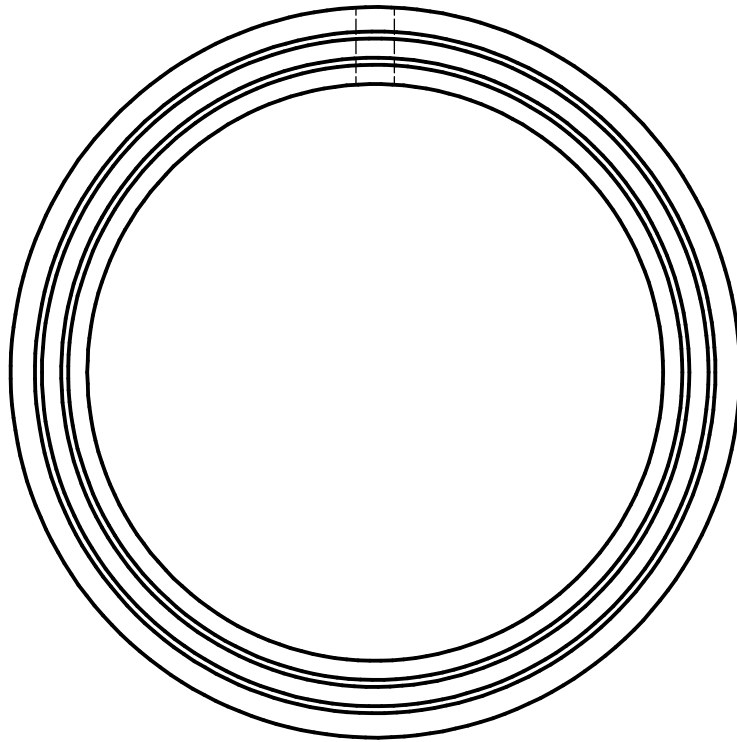
Sht 1 of 2

ACME-SHOREY

PRECAST CONCRETE PRODUCTS

NOTES:

- 1.) Ø2" COUPLING MAY BE SLEEVED DOWN FOR ELECTRICAL CONDUIT.



NAME: RISER 30"ID X 6"Ht, W/side Coupling

H-20

ITEM# R30X06FH

Concrete Minimum Strength: 5,000 p.s.i. at 28 days
 Steel Reinforcement: ASTM A615, Grade 60
 Design Loading: standard units - AASHTO - H20

WEIGHT 240

Lbs

C

DATE: 3-14-23

Ch 13 Pg 5.2 Sht 2 of 2