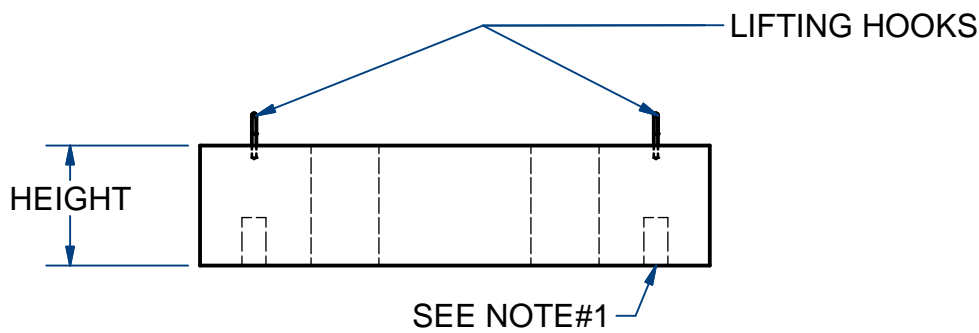
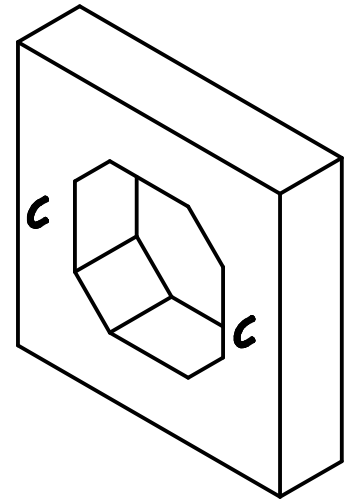
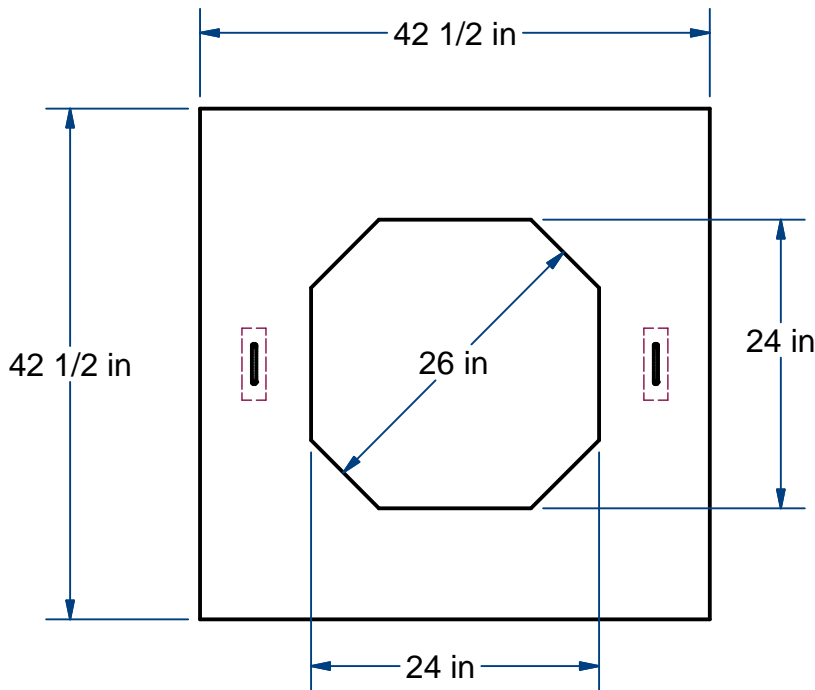


ACME-SHOREY

PRECAST CONCRETE PRODUCTS

Part#	Description-Risers	O.D.	Height	Invert	Lbs	Sct.	Co.
RSQ 04	Square Risers, 24" id	42.5" SQUARE	4"	n/a	435	13 - 2.1	A
RSQ 06	Square Risers, 24" id	42.5" SQUARE	6"	n/a	653	13 - 2.2	A
RSQ 10	Square Risers ,24" id	42.5" SQUARE	10"	n/a	1088	13 - 2.3	A



NOTES:

- 1.) (2) lifting hook's are cast in to the top of the riser , with 2 pockets cast into the bottom of the riser to allow riser's to be stacked
- 2.) H-20 square risers are designed to work with both 24" rings & covers and 24" Frame & Grates and have pockets cast in bottom for stacking.

NAME: SQUARE RISERS

H-20

ITEM# RSQ

Concrete Minimum Strength: 5,000 p.s.i. at 28 days
 Steel Reinforcement: ASTM A615, Grade 60
 Design Loading: standard units - AASHO - H20

WEIGHT SEE GRID Lbs

A

DATE: 3-19-2018