

# ACME-SHOREY

PRECAST CONCRETE PRODUCTS

WWW.ACMESHOREY.COM

PHONE (508) 548-9607

FAX (508) 548-1664

CARVER, MA

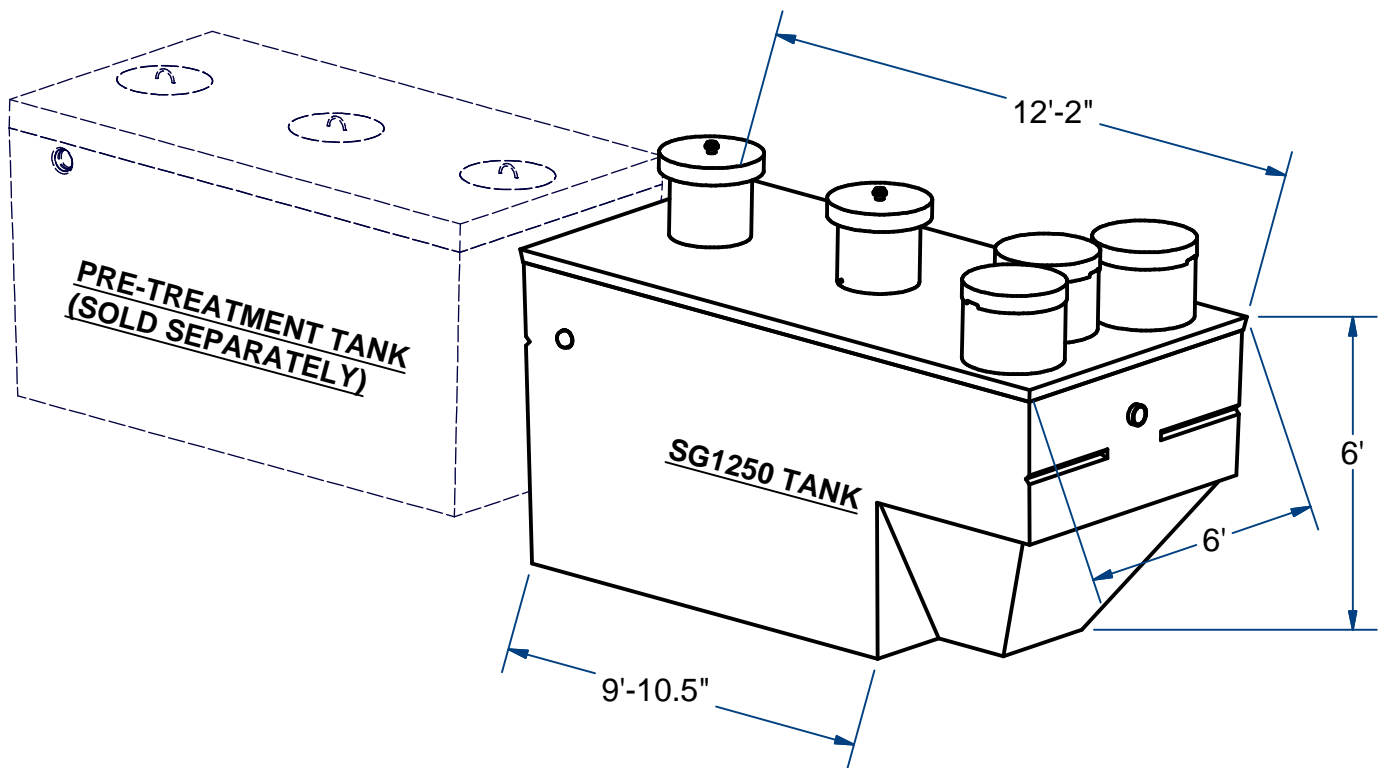
334 TREMONT STREET

HARWICH, MA

36 GREAT WESTERN ROAD

## NOTES:

- 1.) SEAM SEALED WITH FLEXIBLE BUTYL RUBBER SEALANT.
- 2.) ALL RISERS & COVERS IN ADDITIONAL SGRPKG1250.
- 3.) WASTEWATER TREATMENT SYSTEM (MODEL#960-1250LP).
- 4.) TEES & FITTINGS TO BE SUPPLIED BY CONTRACTOR.




## SINGULAIR BIO-KINETIC TANK (LOW PROFILE)

1250 G.P.D.

H10

FOR PROCESS INFO  
PLEASE CONTACT:

DISTRIBUTOR  
SES WASTEWATER   
Norton, Ma 02766  
(888) 999-1389  
www.seswastewater.com

ITEM# **SG1250LP**

Wt. 16,250 Lbs

7 -3.5a

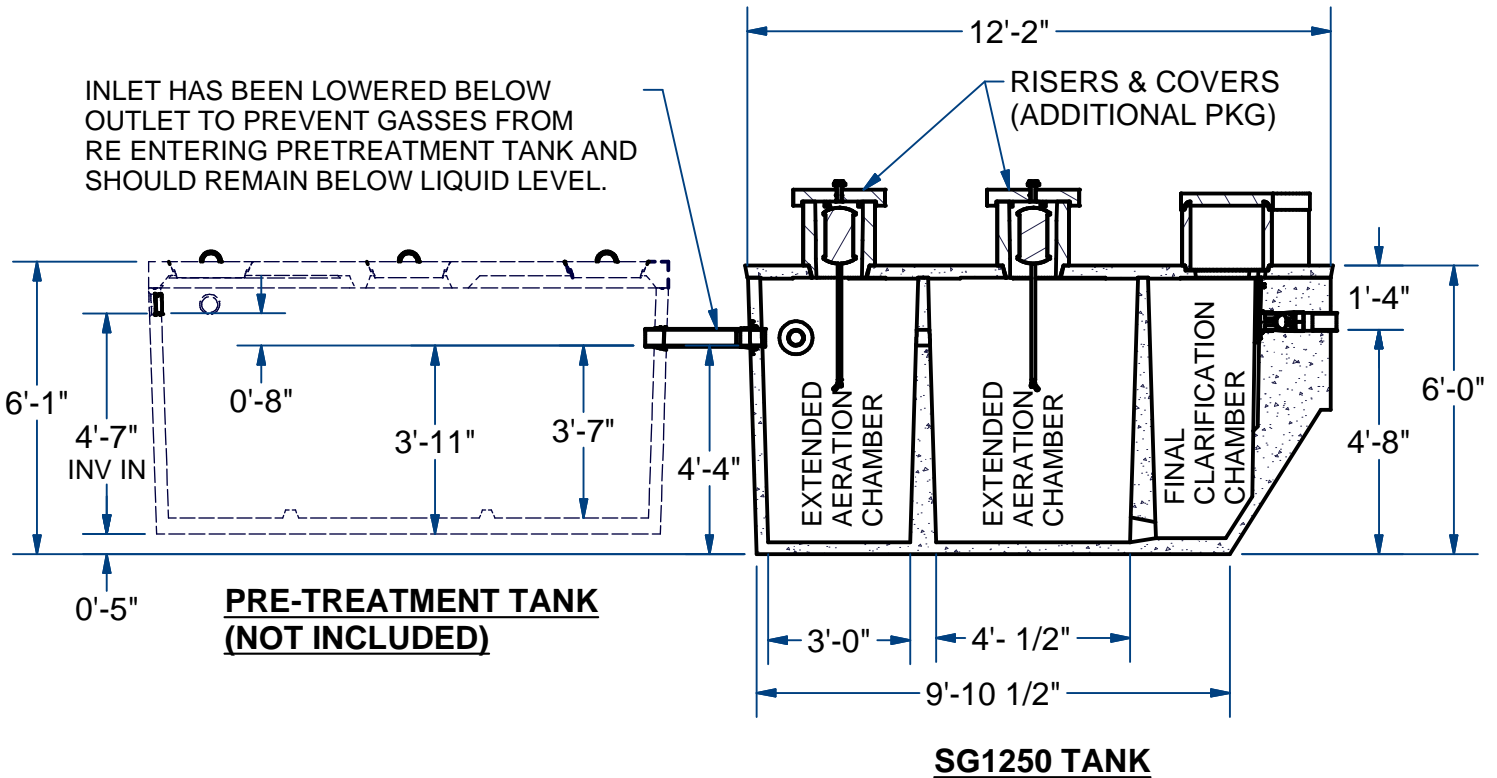
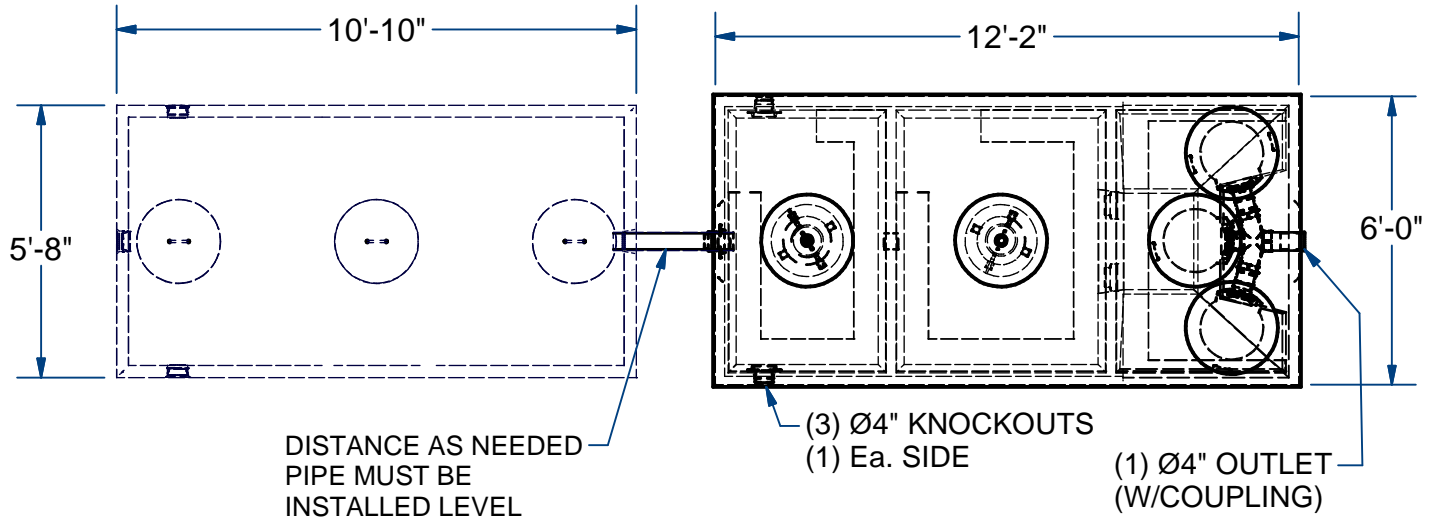
Sht 1 of 2

# ACME-SHOREY

PRECAST CONCRETE PRODUCTS

## NOTES:

- 1.) SEAM SEALED WITH FLEXIBLE BUTYL RUBBER SEALANT.
- 2.) ALL RISERS & COVERS IN ADDITIONAL SGRPkg1250.
- 3.) WASTEWATER TREATMENT SYSTEM (MODEL#960-1250LP).
- 4.) TEES & FITTINGS TO BE SUPPLIED BY CONTRACTOR.
- 5.) SG1500 PRE-TREATMENT TANK SOLD SEPARATELY.



**NAME:** SINGULAR BIO-KINETIC TANK1250 G.P.D. H-10 **ITEM#** SG1250LP  
(LOW PROFILE)

Concrete Minimum Strength: 4,000 p.s.i. at 28 days  
Steel Reinforcement: ASTM A615, Grade 60  
Design Loading: standard units - AASHTO - H10

Base	13,500	Lbs
Flat Top	2,750	Lbs
<b>Total</b>	<b>16,250</b>	<b>Lbs</b>

C

DATE: 3-31-2020

Ch 7

Pg 3.5a

Sht 2 of 2