

ACME-SHOREY

PRECAST CONCRETE PRODUCTS

WWW.ACMESHOREY.COM

PHONE (508) 548-9607

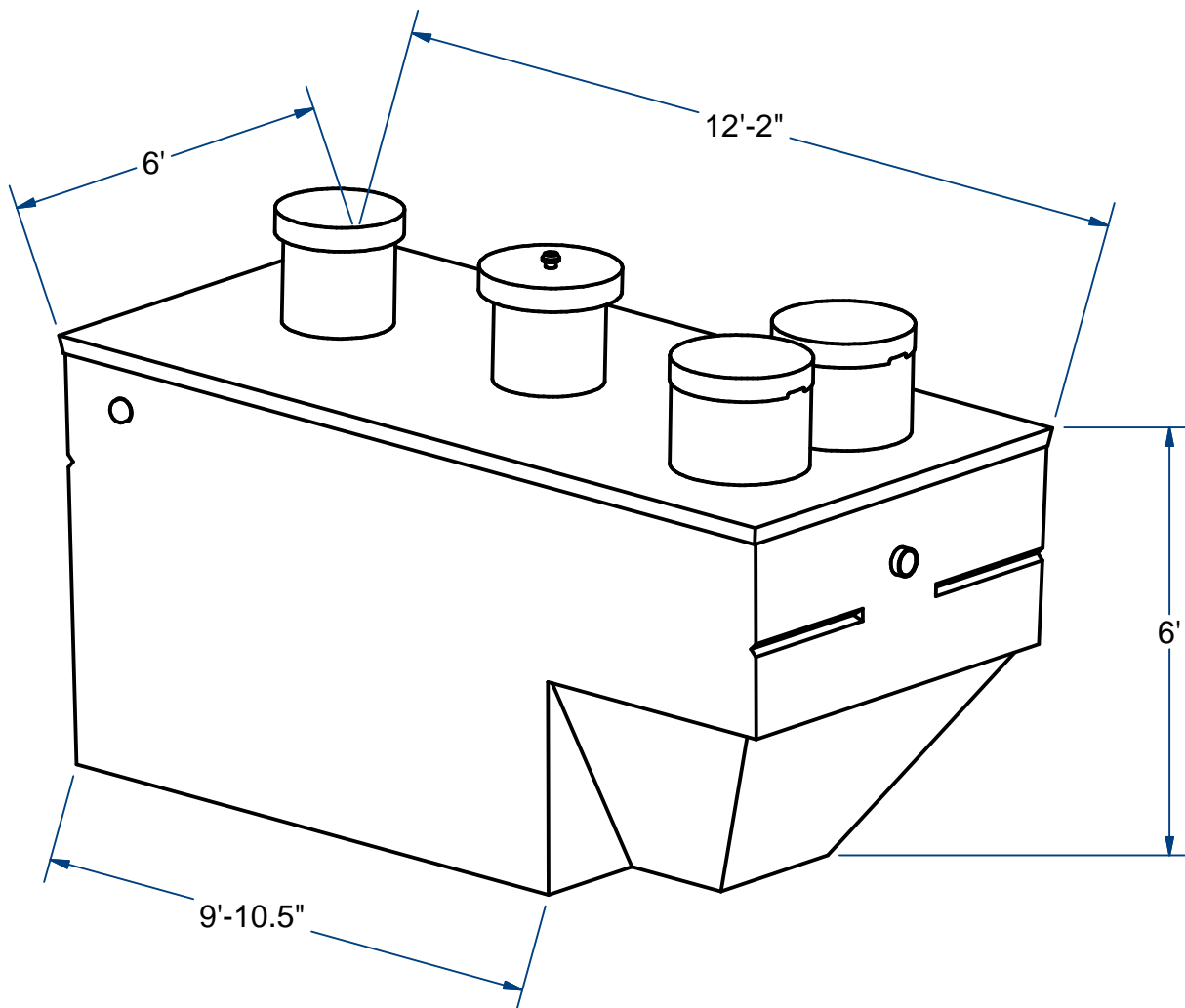
FAX (508) 548-1664

CARVER, MA
334 TREMONT STREET

HARWICH, MA
36 GREAT WESTERN ROAD

NOTES:

- 1.) SEAM SEALED WITH FLEXIBLE BUTYL RUBBER SEALANT.
- 2.) ALL RISERS & COVERS IN ADDITIONAL SGRPKG750.
- 3.) WASTEWATER TREATMENT SYSTEM (MODEL#960-750LP).
- 4.) TEES & FITTINGS TO BE SUPPLIED BY CONTRACTOR.



SINGULAIR BIO-KINETIC TANK (LOW PROFILE)

750 G.P.D.

H10

FOR PROCESS INFO
PLEASE CONTACT:

DISTRIBUTOR
SES WASTEWATER 
Norton, Ma 02766
(888) 999-1389
www.seswastewater.com

ITEM# SG750LP

Wt. 16,250 Lbs

7 -3.3a

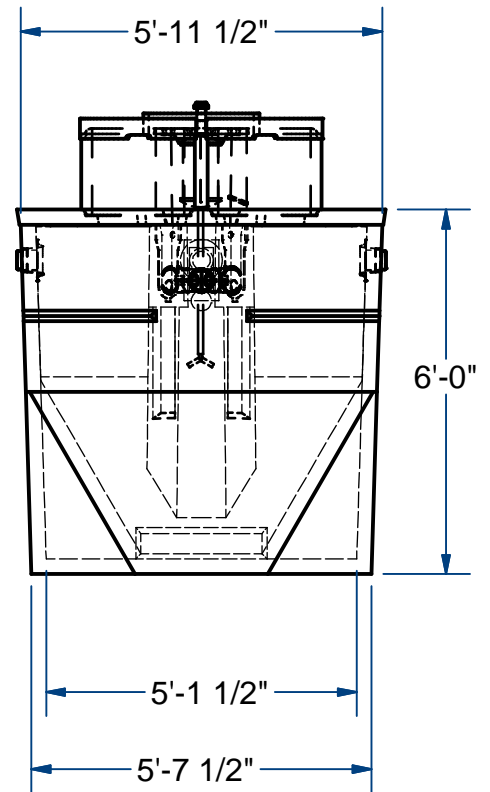
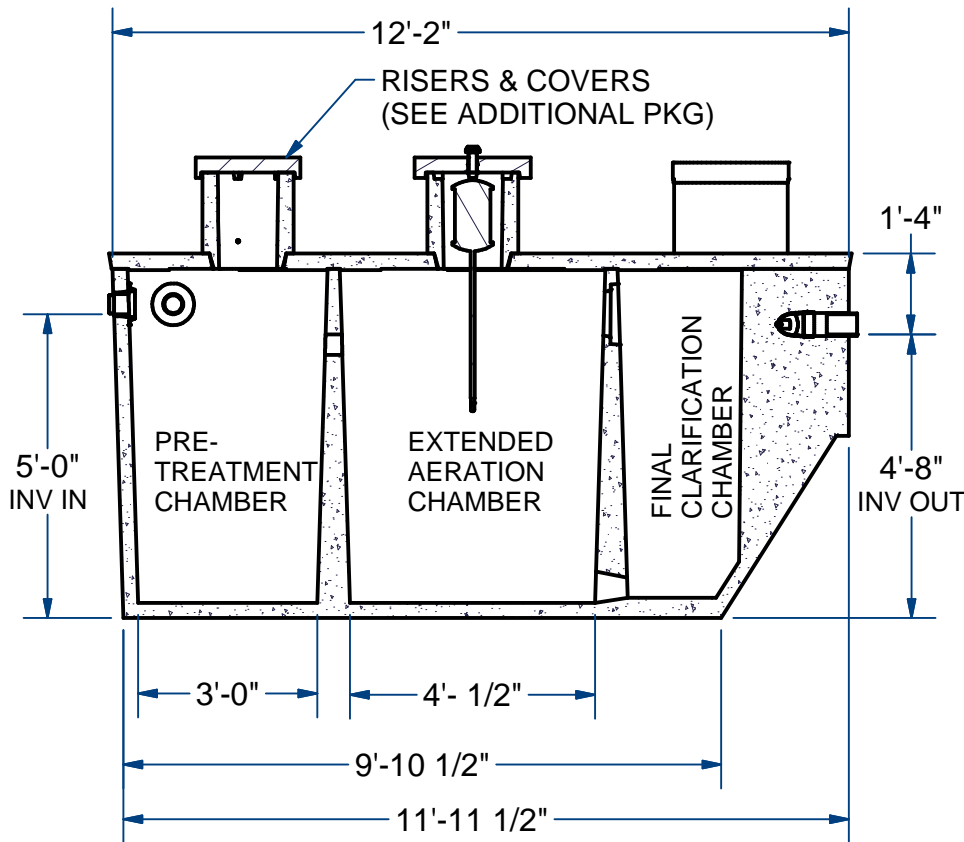
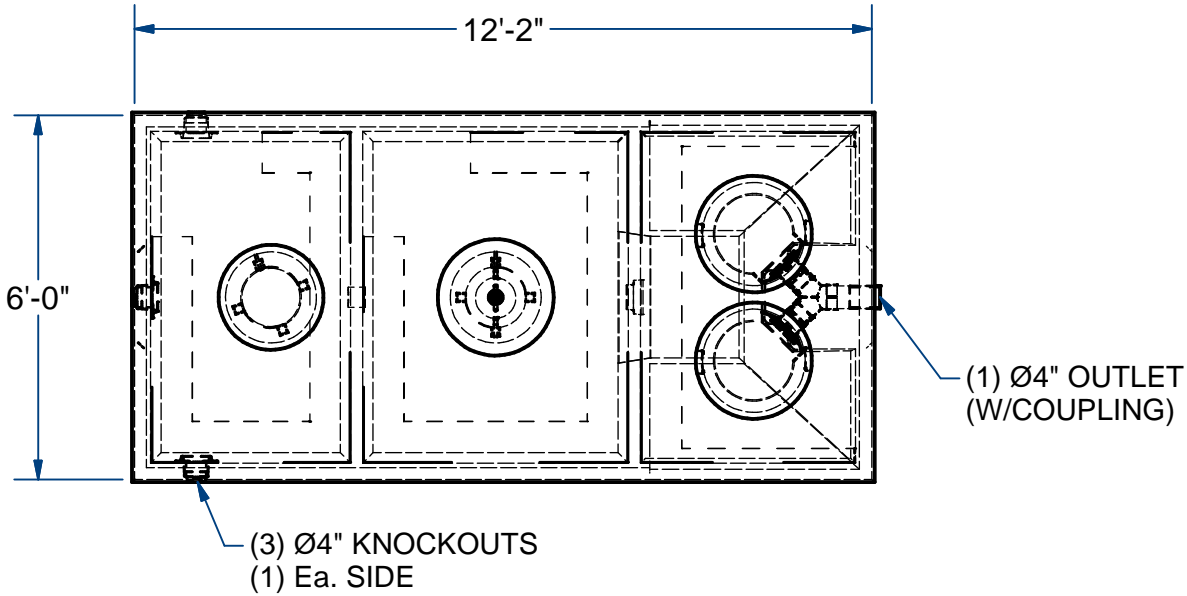
Sht 1 of 2

ACME-SHOREY

PRECAST CONCRETE PRODUCTS

NOTES:

- 1.) SEAM SEALED WITH FLEXIBLE BUTYL RUBBER SEALANT.
- 2.) ALL RISERS & COVERS IN ADDITIONAL SGRPKG750.
- 3.) WASTEWATER TREATMENT SYSTEM (MODEL#960-750LP).
- 4.) TEES & FITTINGS TO BE SUPPLIED BY CONTRACTOR.



NAME: SINGULAR BIO-KINETIC TANK 750 G.P.D. (LOW PROFILE)

H-10

ITEM# SG750LP

Concrete Minimum Strength: 4,000 p.s.i. at 28 days
 Steel Reinforcement: ASTM A615, Grade 60
 Design Loading: standard units - AASHTO - H10

Base	13,500	Lbs
Flat Top	2,750	Lbs
Total	16,250	Lbs

C

DATE: 3-31-2020

Ch 7 Pg 3.3a Sht 2 of 2