

ACME-SHOREY

PRECAST CONCRETE PRODUCTS

WWW.ACMESHOREY.COM

PHONE (508) 548-9607

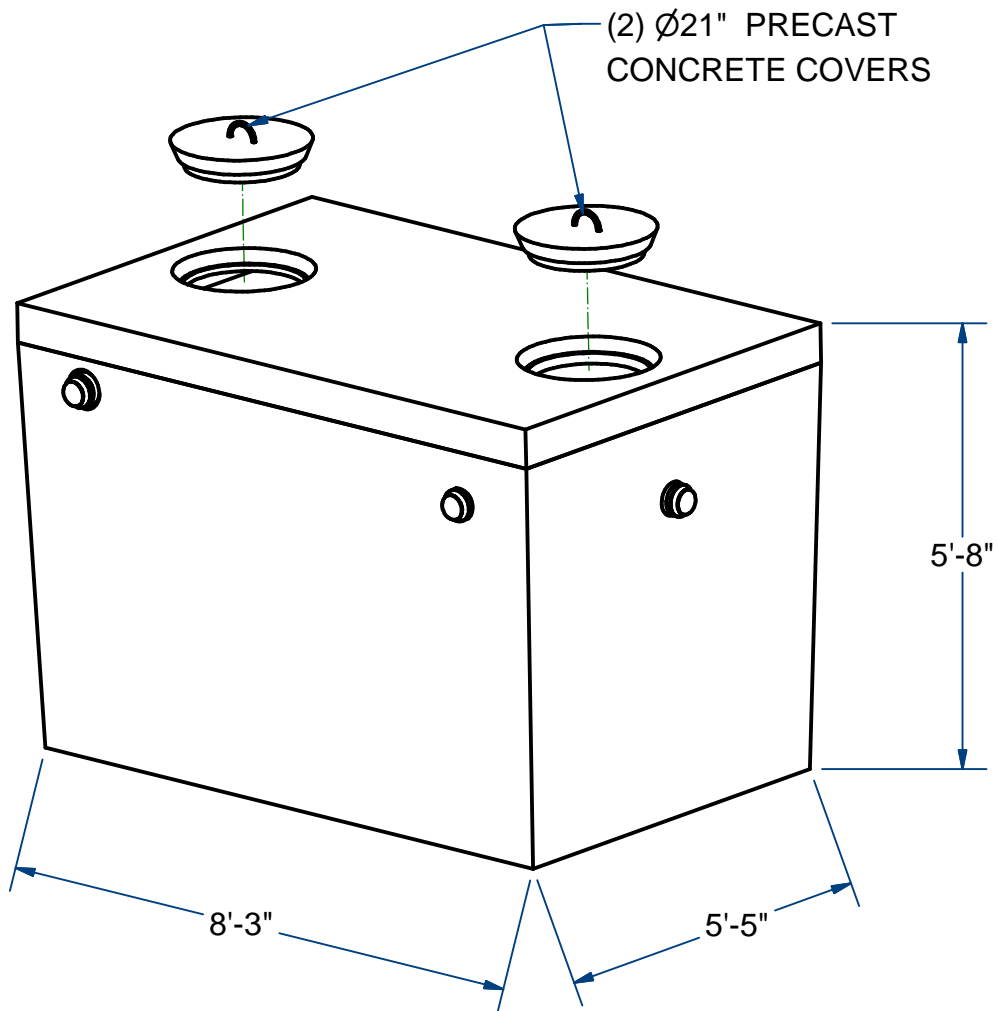
FAX (508) 548-1664

CARVER, MA
334 TREMONT STREET

HARWICH, MA
36 GREAT WESTERN ROAD

NOTES:

- 1.) SEAM SEALED WITH FLEXIBLE BUTYL RUBBER SEALANT.
- 2.) USE WITH SG1000M SYSTEM OR LARGER.
- 3.) OUTLET PIPE TO SINGULAIR TANK MUST BE INSTALLED LEVEL.



SINGULAIR PRE-TREATMENT TANK

H10

1000 GALLON

ITEM# SGPRE10M

Wt. 8,500 Lbs

7 -3.8

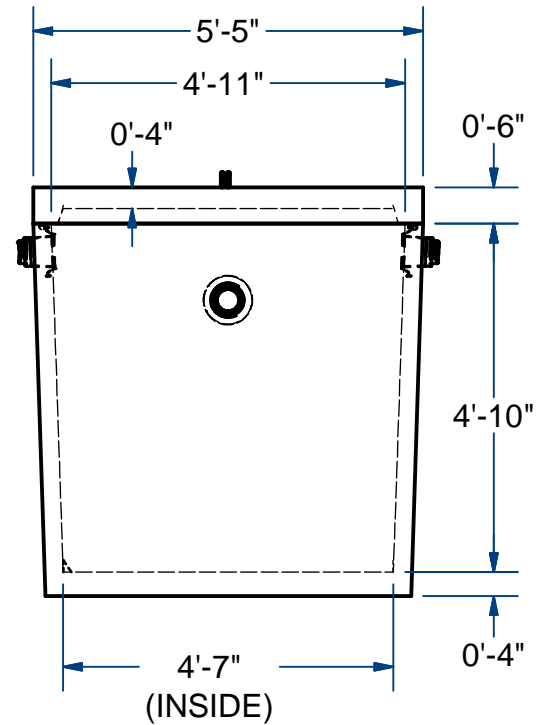
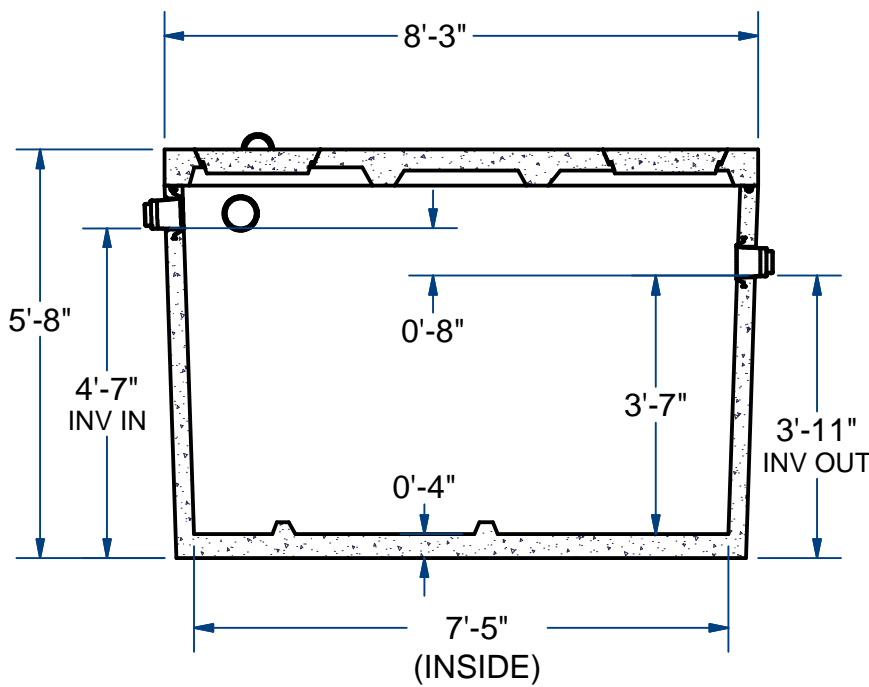
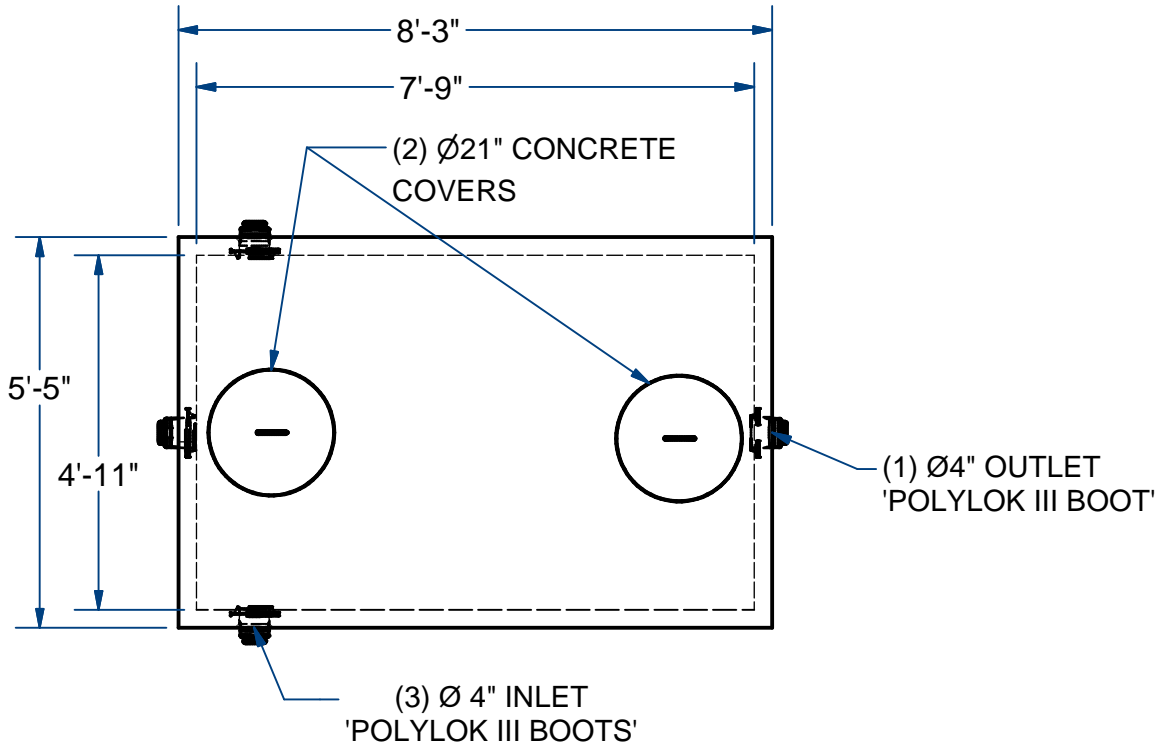
Sht 1 of 2

ACME-SHOREY

PRECAST CONCRETE PRODUCTS

NOTES:

- 1.) SEAM SEALED WITH FLEXIBLE BUTYL RUBBER SEALANT.
- 2.) USE WITH SG1000M SYSTEM OR LARGER.
- 3.) OUTLET PIPE TO SINGULAIR TANK MUST BE INSTALLED LEVEL.



NAME: SINGULAIR PRETREATMENT TANK, 1000G, MONO

H-10

ITEM# SGPRE10M

Concrete Minimum Strength: 4,000 p.s.i. at 28 days
Steel Reinforcement: ASTM A615, Grade 60
Design Loading: standard units - AASHTO - H10

TOP 2,500 Lbs
BOTTOM 6,000 Lbs

H

DATE: 3-29-21

Ch 7 Pg 3.8 Sht 2 of 2