

ACME-SHOREY

PRECAST CONCRETE PRODUCTS

WWW.ACMESHOREY.COM

PHONE (508) 548-9607

FAX (508) 548-1664

CARVER, MA

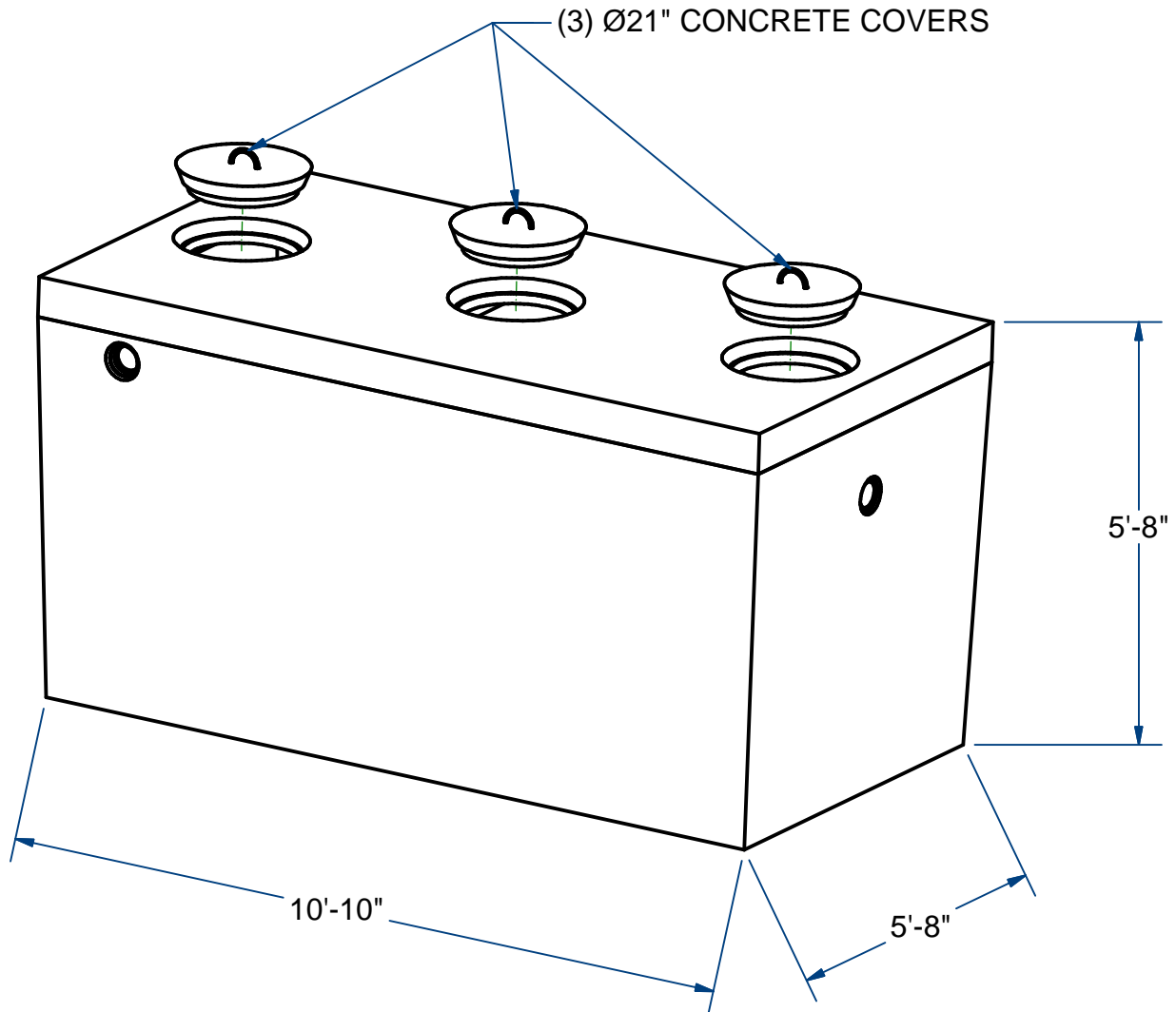
334 TREMONT STREET

HARWICH, MA

36 GREAT WESTERN ROAD

NOTES:

- 1.) SEAM SEALED WITH FLEXIBLE BUTYL RUBBER SEALANT.
- 2.) USE WITH SG1250M SYSTEM OR LARGER.
- 3.) OUTLET PIPE TO SINGULAIR TANK MUST BE INSTALLED LEVEL.



SINGULAIR PRETREATMENT TANK

H10

1500 Gallon

ITEM# SGPRE15M

Wt. 12,000 Lbs

7 -3.9

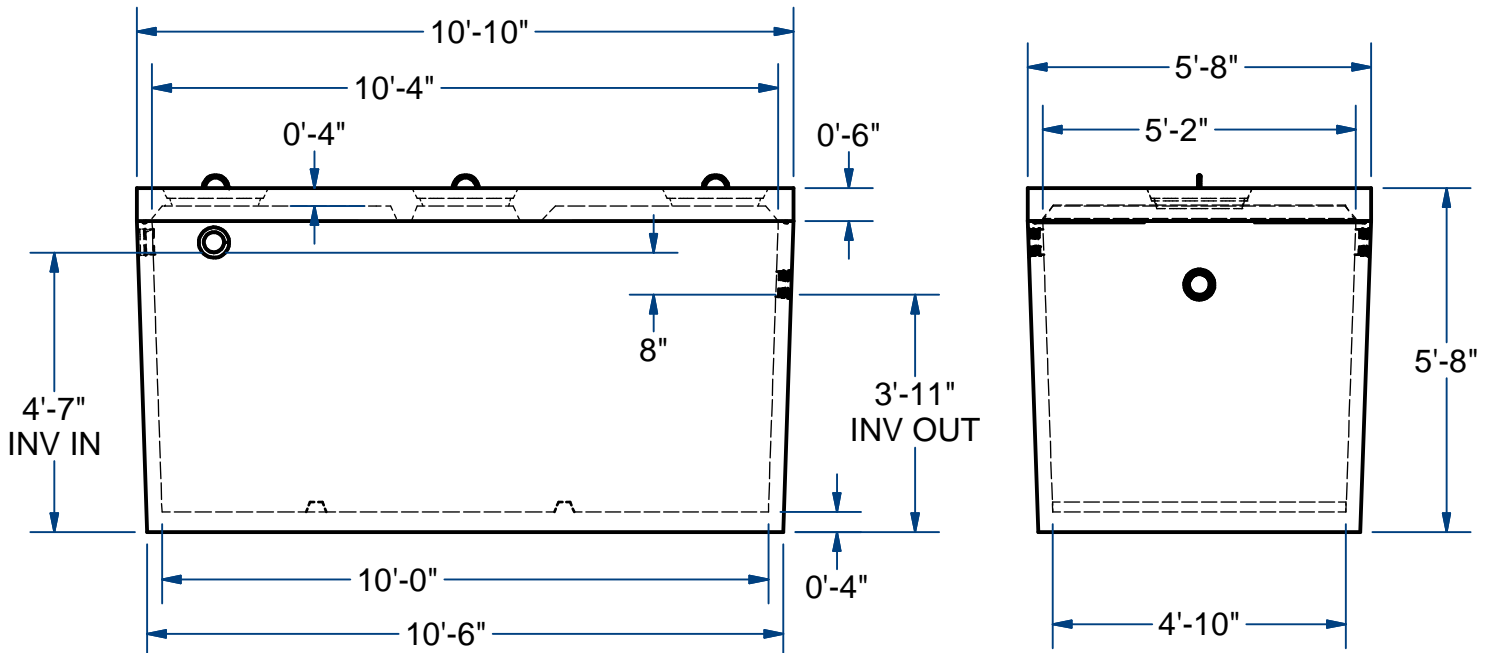
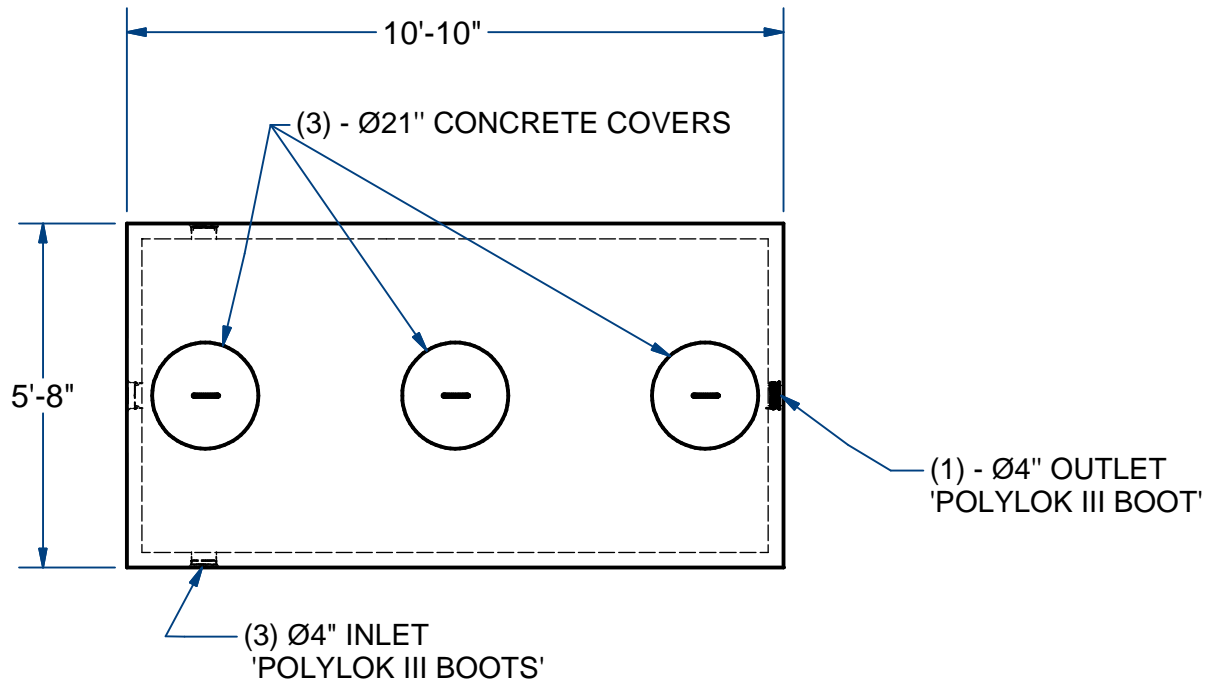
Sht 1 of 2

ACME-SHOREY

PRECAST CONCRETE PRODUCTS

NOTES:

- 1.) SEAM SEALED WITH FLEXIBLE BUTYL RUBBER SEALANT.
- 2.) USE WITH SG1250M SYSTEM OR LARGER.
- 3.) OUTLET PIPE TO SINGULAIR TANK MUST BE INSTALLED LEVEL.



NAME: SINGULAIR PRE-TREATMENT TANK, 1500G., MONO

H-10

ITEM# SGPRE15M

Concrete Minimum Strength: 4,000 p.s.i. at 28 days
 Steel Reinforcement: ASTM A615, Grade 60
 Design Loading: standard units - AASHTO - H10

TOP 3,500 Lbs
 BOTTOM 8,500 Lbs

C

DATE: 4-27-20

Ch 7 Pg 3.9 Sht 2 of 2