

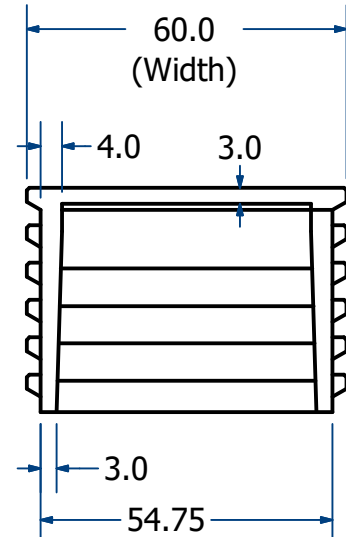
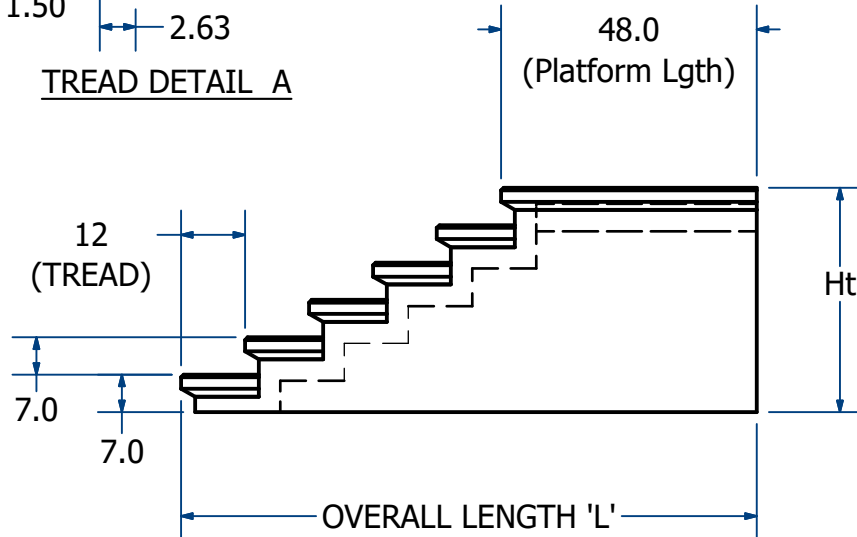
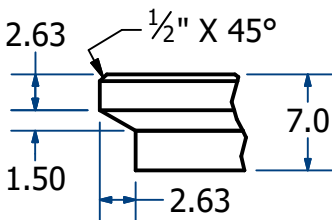
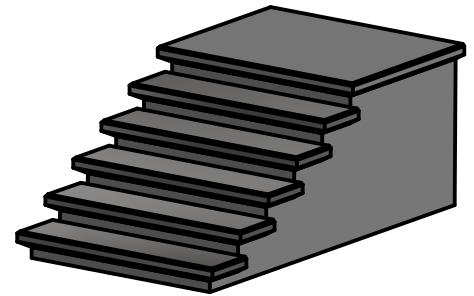
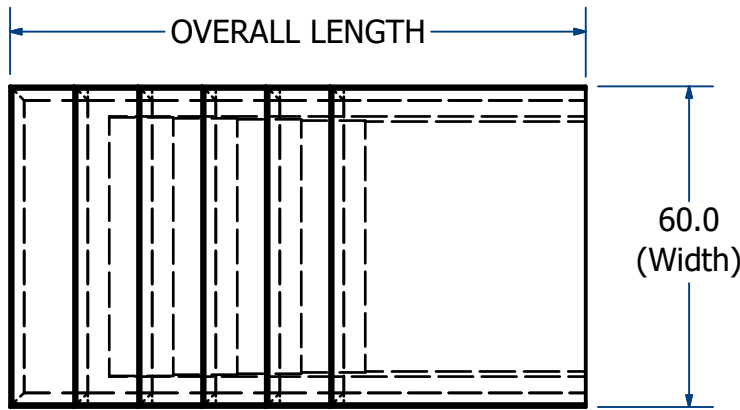
ACME-SHOREY

PRECAST CONCRETE PRODUCTS

NOTES:

1.) PLATFORM & TREAD THICKNESS HAVE A 3" SIDEWALL.

Sct.	Item#	Description	Ht.(in)	W (in)	L (in)	Platform lgth (in)	Lbs
24 - 1.1	1 Rise	Precast Steps	7"	60"	48	48	900
24 - 1.2	2 Rise	Precast Steps	14"	60"	60	48	1700
24 - 1.3	3 Rise	Precast Steps	21"	60"	72	48	2600
24 - 1.4	4 Rise	Precast Steps	28"	60"	84	48	3500
24 - 1.5	5 Rise	Precast Steps	35"	60"	96	48	4500
24 - 1.6	6 Rise	Precast Steps	42"	60"	108	48	5500



NAME: STEP SIZING CHART , 60" WIDTH

H-20

ITEM# SSC

Concrete Minimum Strength: 5,000 p.s.i. at 28 days
 Steel Reinforcement: ASTM A615, Grade 60
 Design Loading: standard units - AASHTO - H20

1.) DIMS & FEATURES ARE STD.
 2.) PLATFORM TOP & TREADS ARE BROOM FINISHED.

C

DATE: 6-15-21