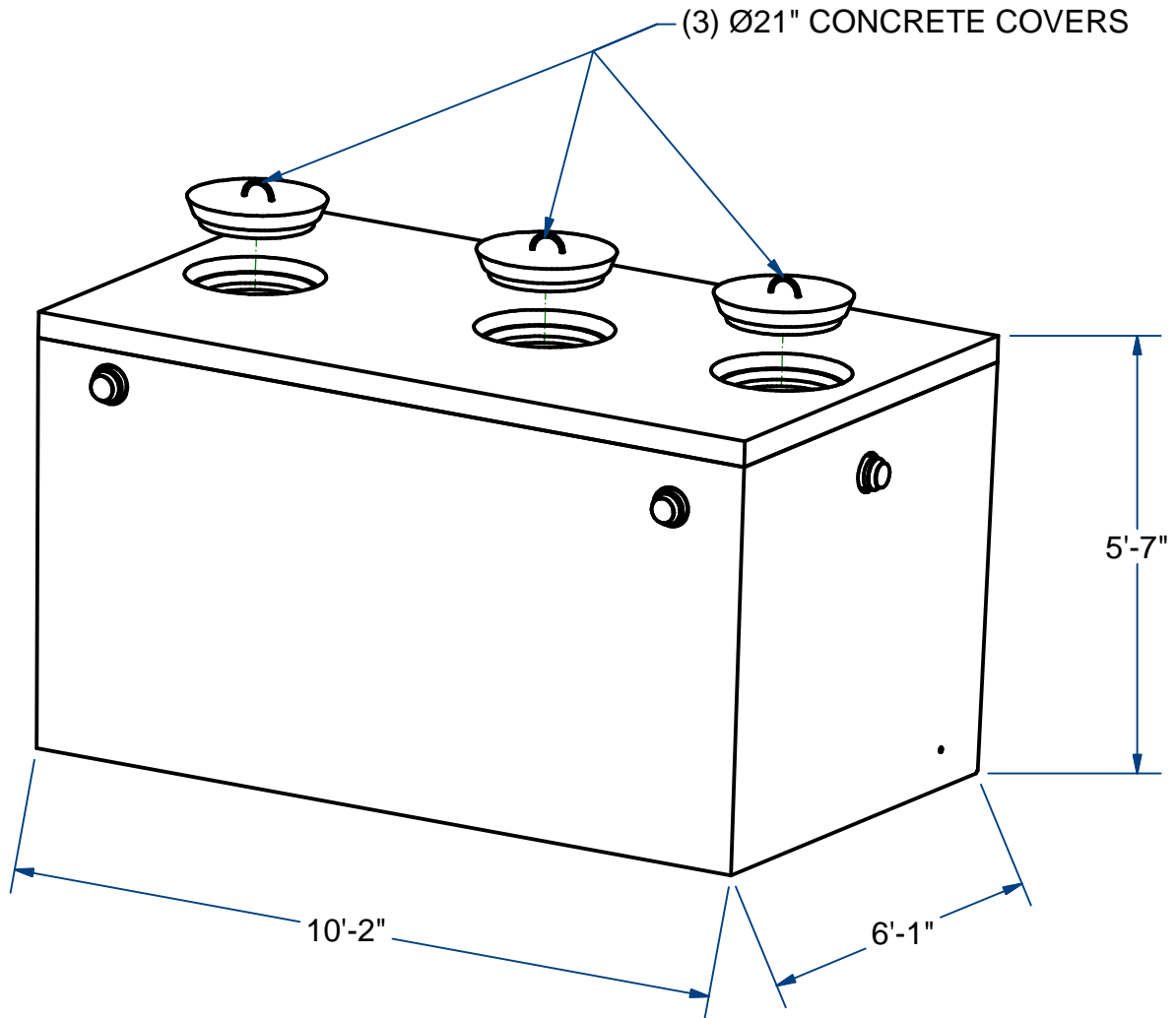


NOTES:

- 1.) SEAM SEALED WITH FLEXIBLE BUTYL RUBBER SEALANT.



**SEPTIC TANK MONOLITHIC**

H10

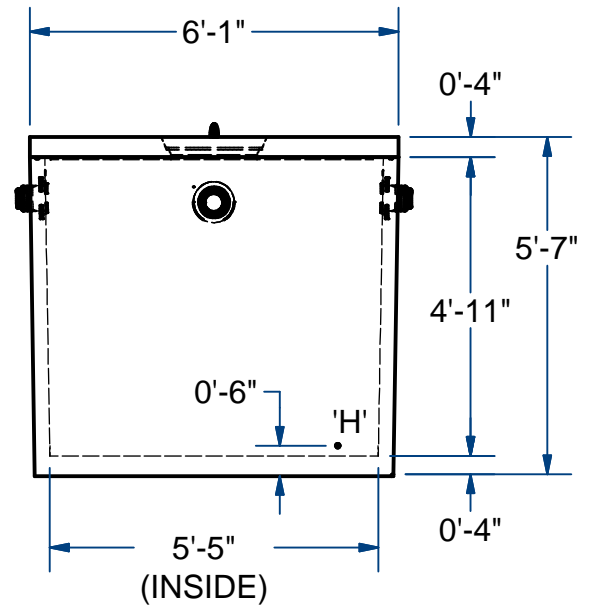
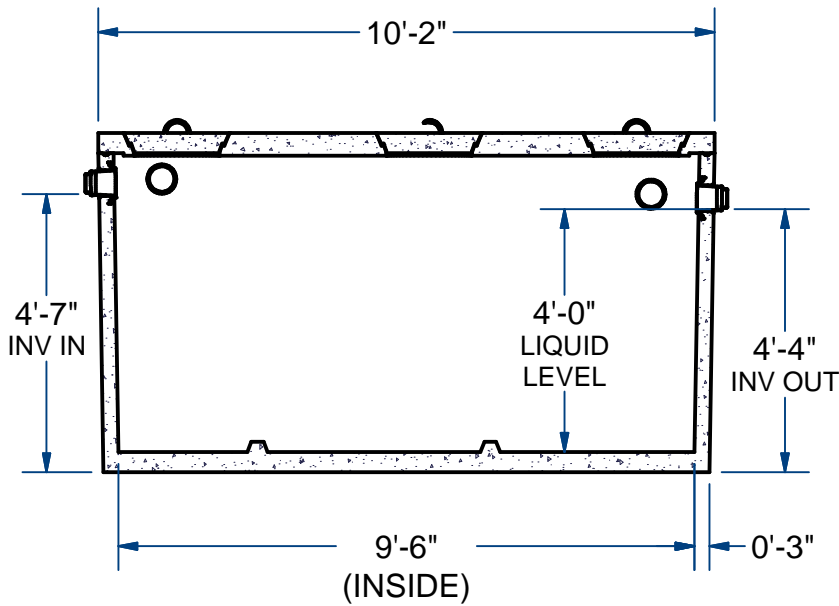
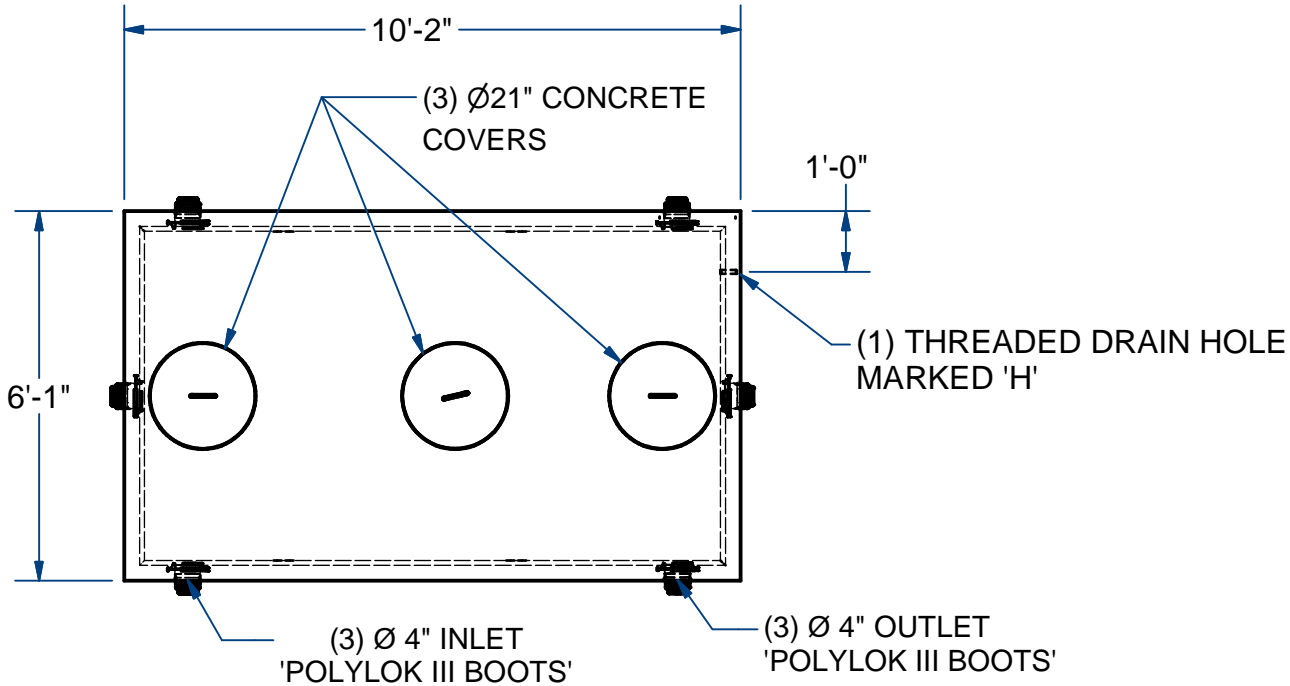
1500 GALLON

# ACME-SHOREY

PRECAST CONCRETE PRODUCTS

**NOTES:**

- 1.) SEAM SEALED WITH FLEXIBLE BUTYL RUBBER SEALANT.



**NAME: SEPTIC TANK ,1500 Gallon, MONO**

**H-10**

**ITEM# ST15MH**

Concrete Minimum Strength: 4,000 p.s.i. at 28 days  
 Steel Reinforcement: ASTM A615, Grade 60  
 Design Loading: standard units - AASHTO - H10

TOP 3,250 Lbs  
 BOTTOM 9,750 Lbs

H

DATE: 3-27-23

Ch 1 Pg 2.2 Sht 2 of 2