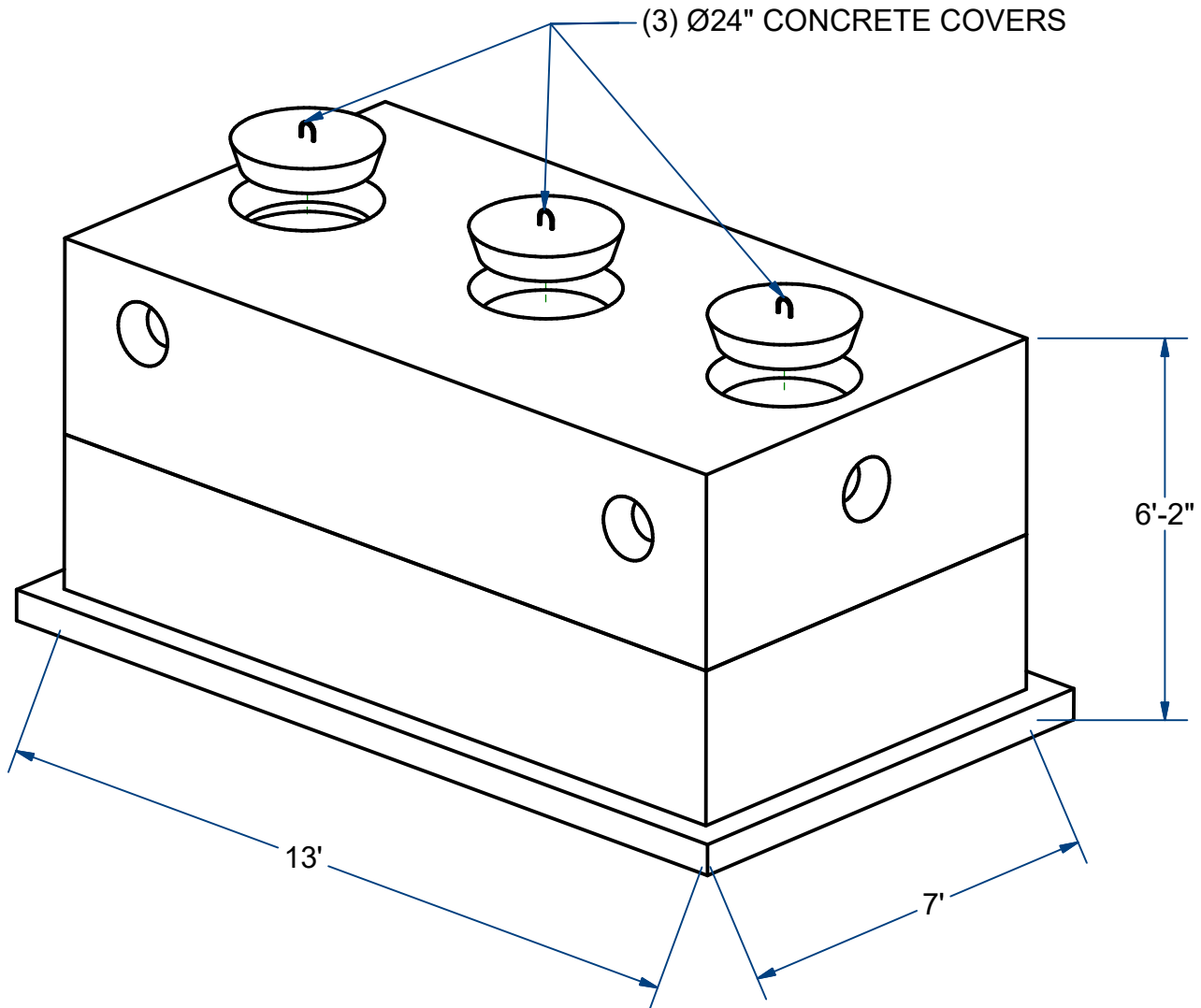


NOTES:

- 1.) SEAM SEALED WITH FLEXIBLE BUTYL RUBBER SEALANT.



SEPTIC TANK, Low Profile

H20

2,000 Gallon

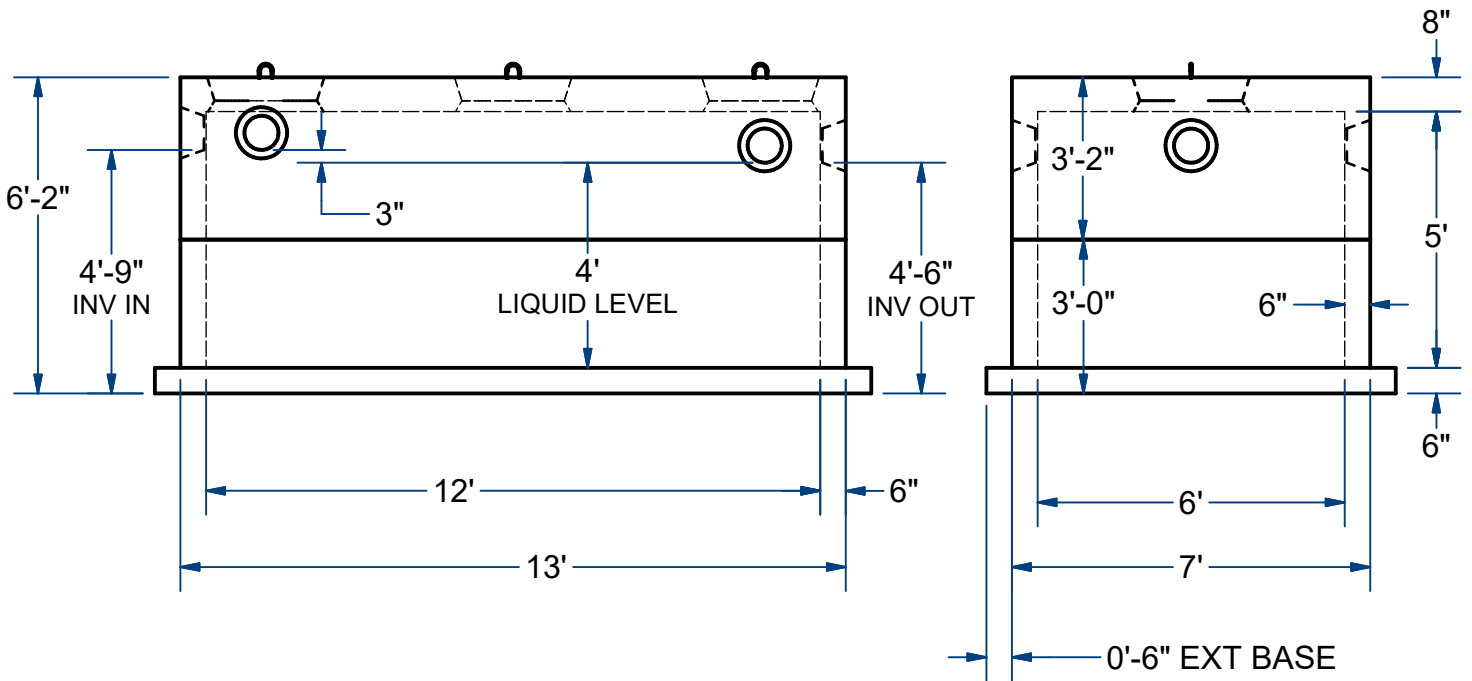
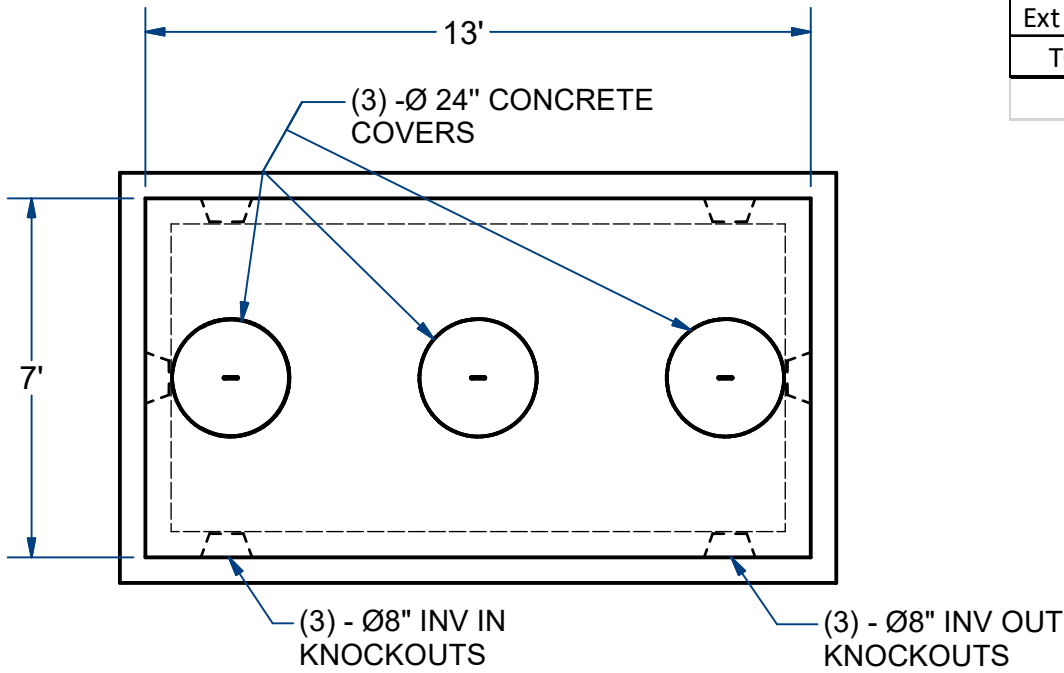
ACME-SHOREY

PRECAST CONCRETE PRODUCTS

NOTES:

1.) SEAM SEALED WITH FLEXIBLE BUTYL RUBBER SEALANT.

Item	Desc	Wt (Lbs)
BASE	3' Ht	15250
Ext Base	6" x 6" Ht	1500
TOP	3'-2" Ht	16,000
		32750



NAME: SEPTIC TANK, 2000 Gallon, LOW PROFILE H-20

ITEM# ST202LPEB

Concrete Minimum Strength: 5,000 p.s.i. at 28 days
 Steel Reinforcement: ASTM A615, Grade 60
 Design Loading: standard units - AASHTO - H20

TOP 16,000 Lbs
 BOTTOM 15,250 Lbs

C

DATE: 3-16-2026

Ch 8 Pg 3.3 Sht 2 of 2