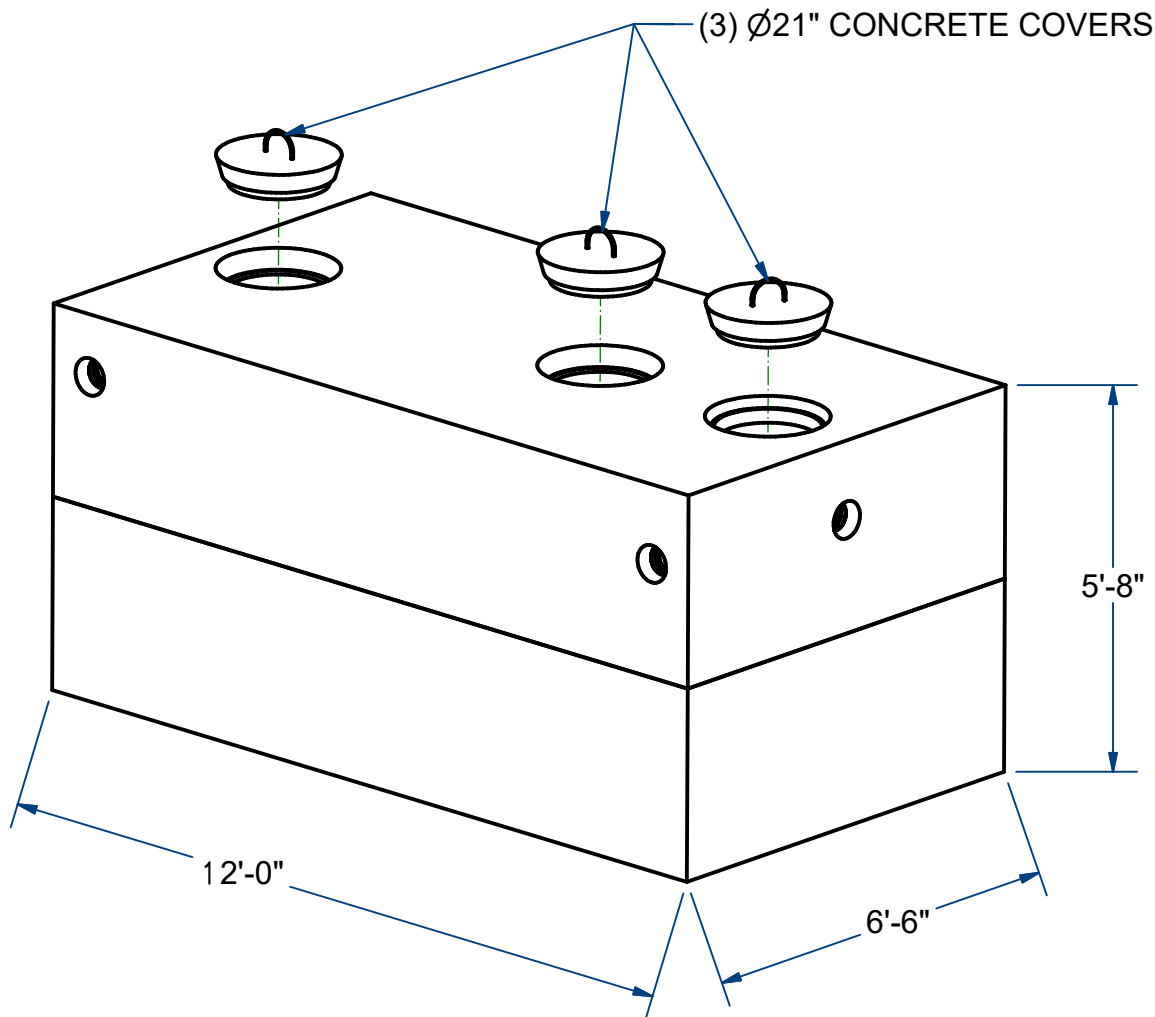


NOTES:

- 1.) SEAM SEALED WITH FLEXIBLE BUTYL RUBBER SEALANT.



SEPTIC TANK

H10

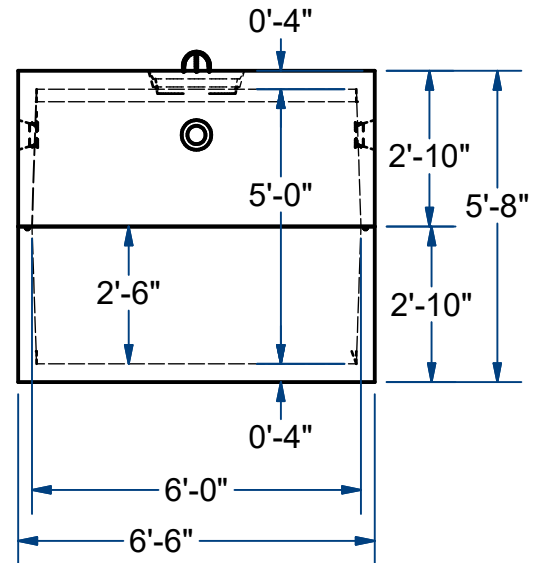
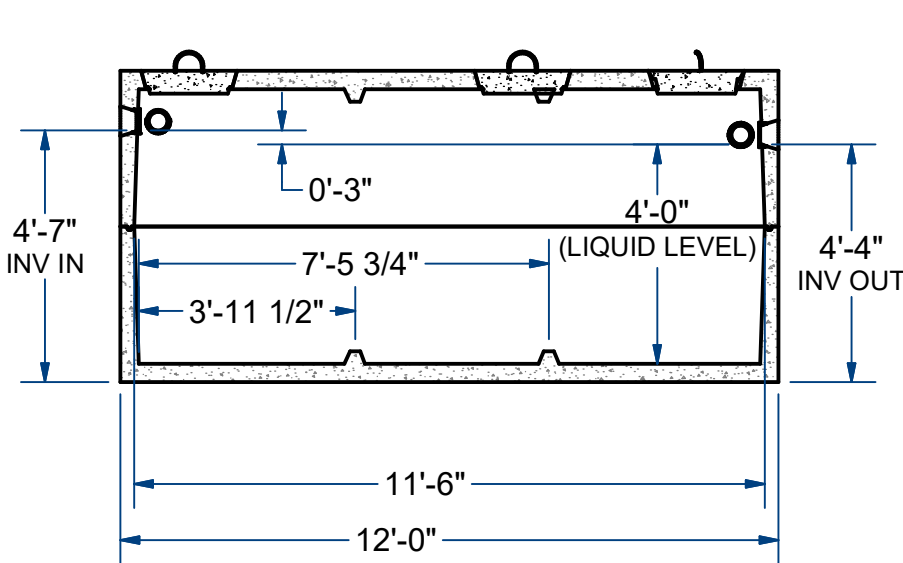
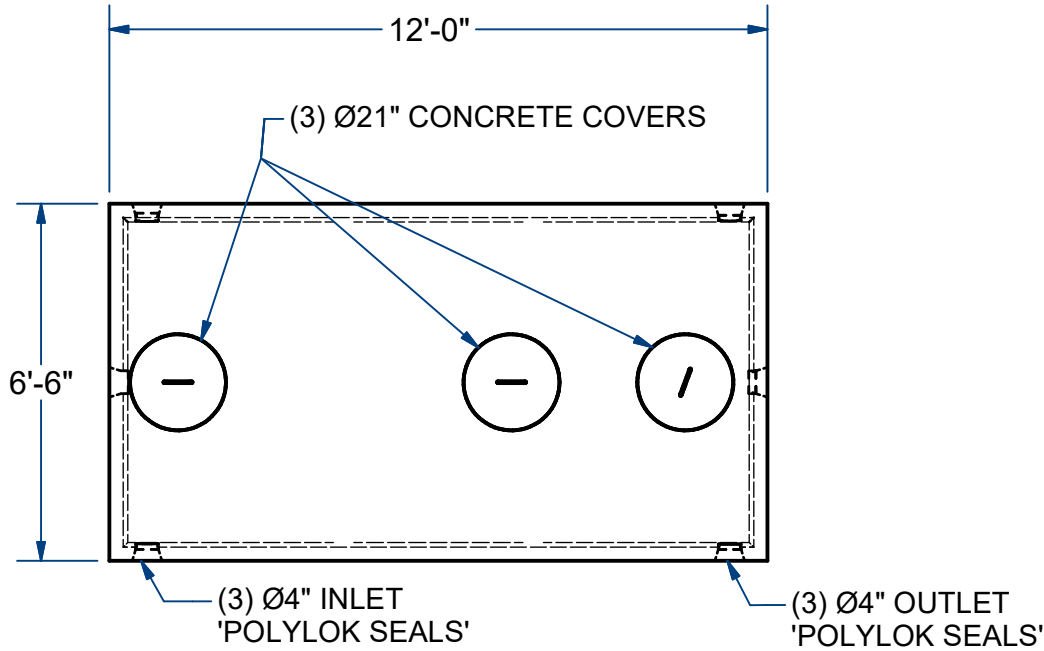
2000 GALLON

ACME-SHOREY

PRECAST CONCRETE PRODUCTS

NOTES:

- 1.) SEAM SEALED WITH FLEXIBLE BUTYL RUBBER SEALANT.



NAME: SEPTIC TANK , 2000 GALLON

H-10

ITEM# ST20H

Concrete Minimum Strength: 4,000 p.s.i. at 28 days
 Steel Reinforcement: ASTM A615, Grade 60
 Design Loading: standard units - AASHTO - H10

TOP 9,000 Lbs
 BOTTOM 9,000 Lbs

H

DATE: 1-20-26

Ch 1 Pg 3.2 Sht 2 of 2