

ACME-SHOREY

PRECAST CONCRETE PRODUCTS

WWW.ACMESHOREY.COM

PHONE (508) 548-9607

FAX (508) 548-1664

CARVER, MA

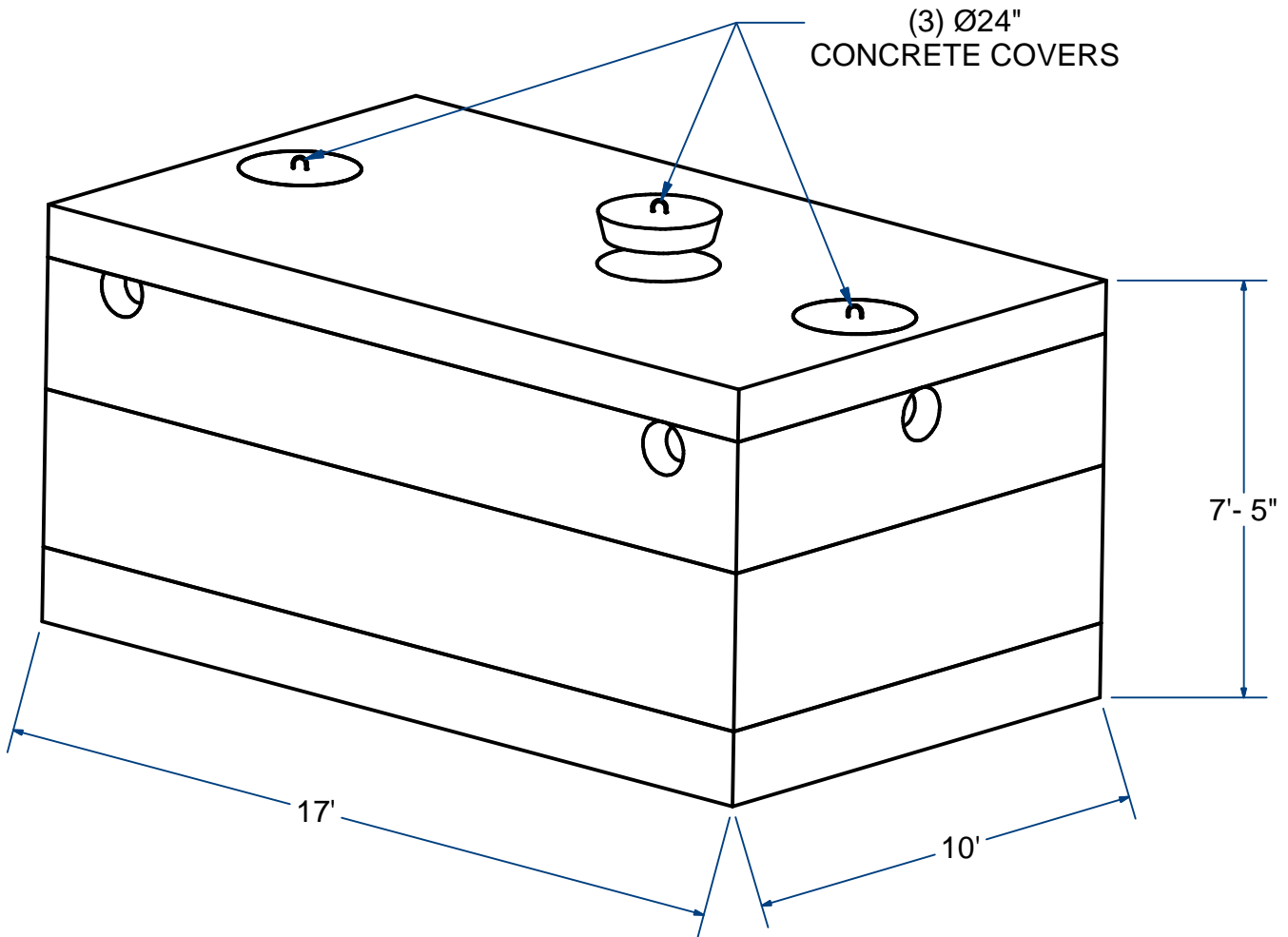
334 TREMONT STREET

HARWICH, MA

36 GREAT WESTERN ROAD

NOTES:

- 1.) SEAM SEALED WITH FLEXIBLE BUTYL RUBBER SEALANT.



2-COMPARTMENT TANK, LOW PROFILE

10 X 17'

H20

5000 Gallon

ITEM# STPC1005

Wt. 67,750 Lbs

10-16.1

Sht 1 of 2

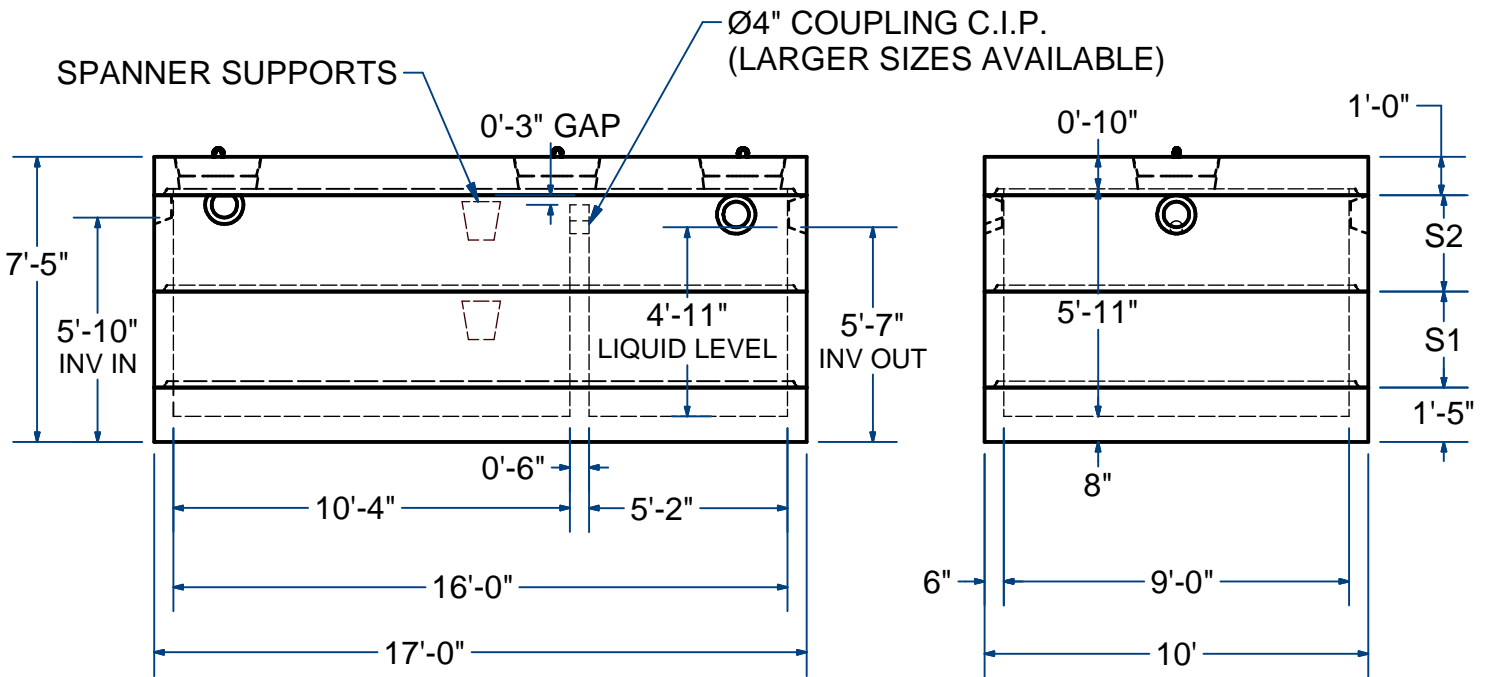
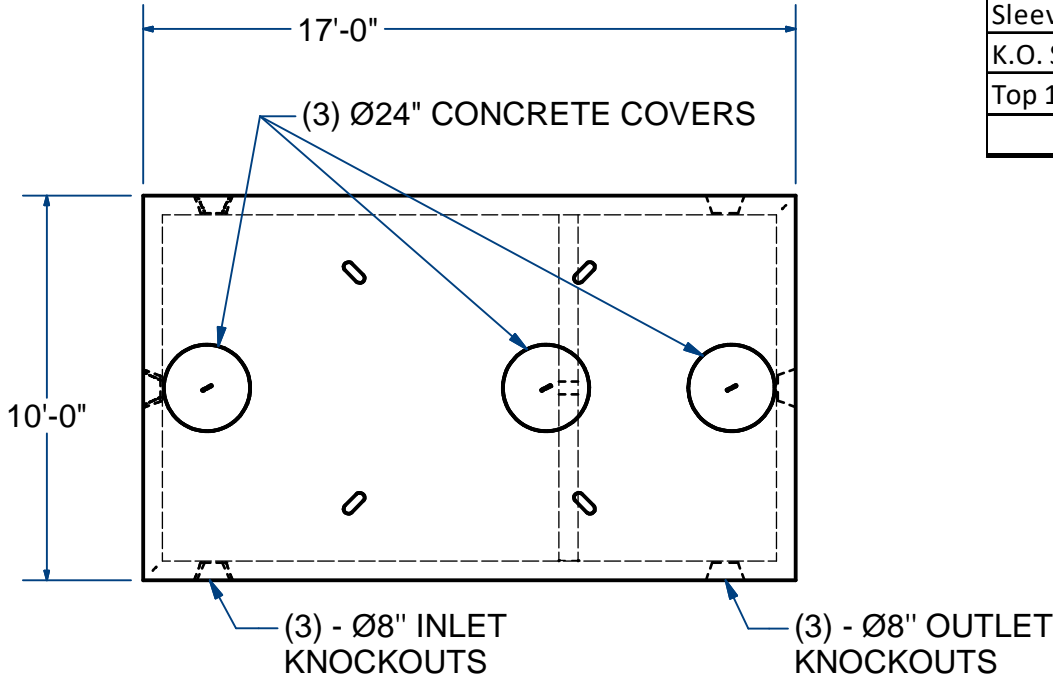
ACME-SHOREY

PRECAST CONCRETE PRODUCTS

NOTES:

- 1.) SEAM SEALED WITH FLEXIBLE BUTYL RUBBER SEALANT.

Each Section	Wt ea. (Lbs)
Base 17"	22,000
Sleeve #1 - 30"	12,000
K.O. Sleeve#2 - 30"	12,500
Top 10"	21,250
	67,750



NAME: 2-COMPARTMENT TANK, 10' X 17' LP, 5000 Gallon H-20

ITEM# STPC1005

Concrete Minimum Strength: 5,000 p.s.i. at 28 days
 Steel Reinforcement: ASTM A615, Grade 60
 Design Loading: standard units - AASHTO - H20

WEIGHT 67,750 Lbs

H

DATE: 11-9-2019

Ch 10 Pg 16.1 Sht 2 of 2