

# ACME-SHOREY

PRECAST CONCRETE PRODUCTS

WWW.ACMESHOREY.COM

PHONE (508) 548-9607

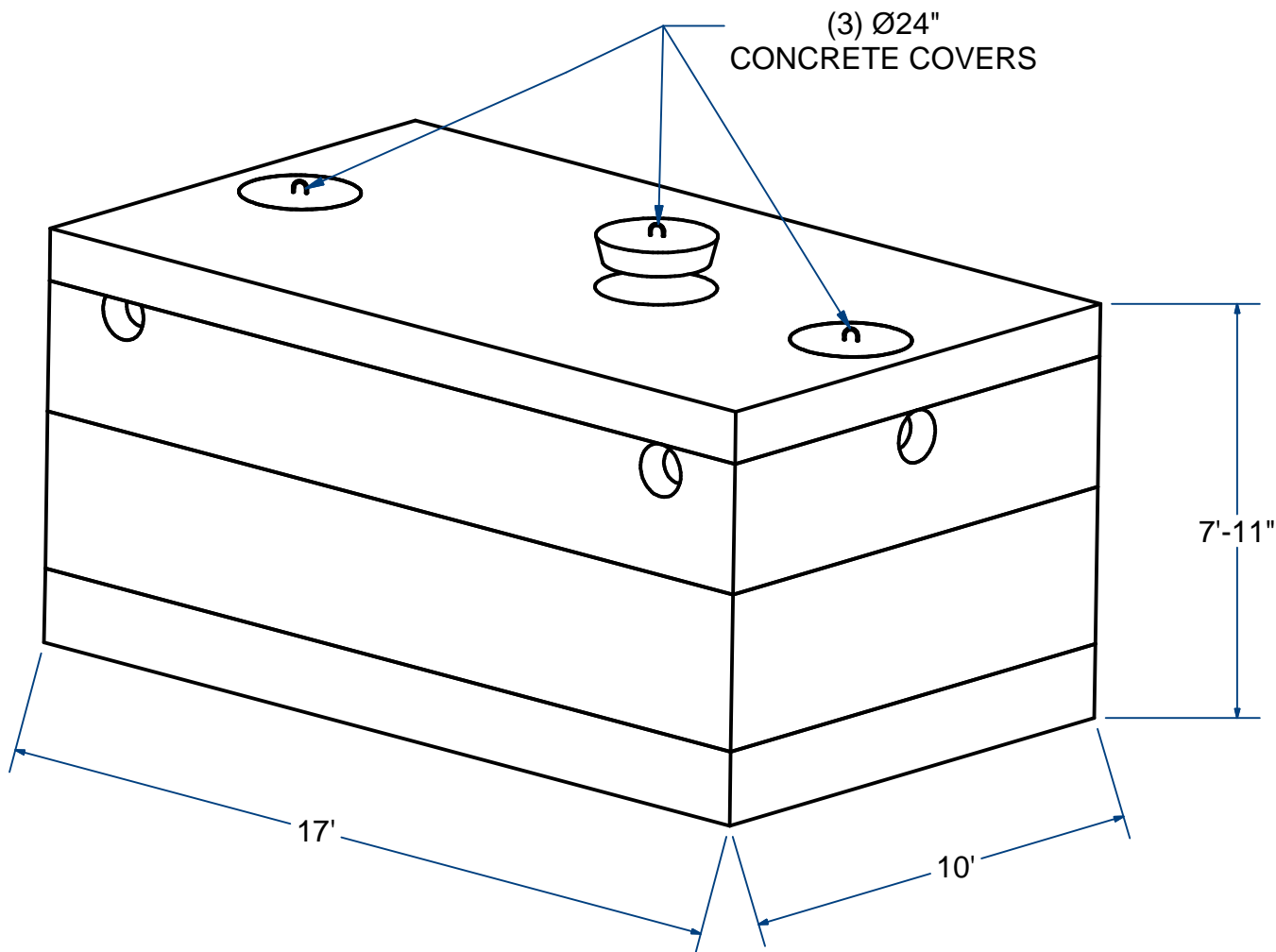
FAX (508) 548-1664

CARVER, MA  
334 TREMONT STREET

HARWICH, MA  
36 GREAT WESTERN ROAD

## NOTES:

- 1.) SEAM SEALED WITH FLEXIBLE BUTYL RUBBER SEALANT.



## 2-COMPARTMENT TANK, LOW PROFILE

10 X 17'

H2O

6000 Gallon

ITEM# STPC1006

Wt. 71,250 Lbs

10-16.2

Sht 1 of 2

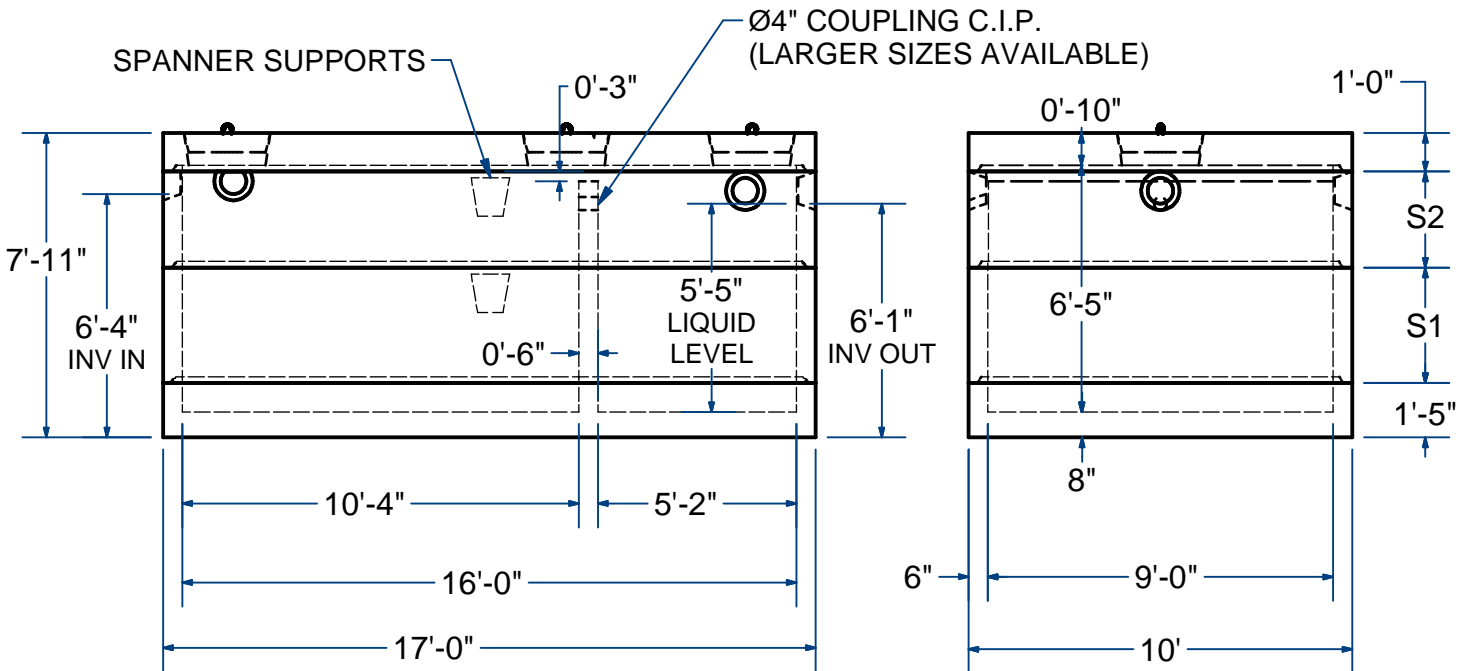
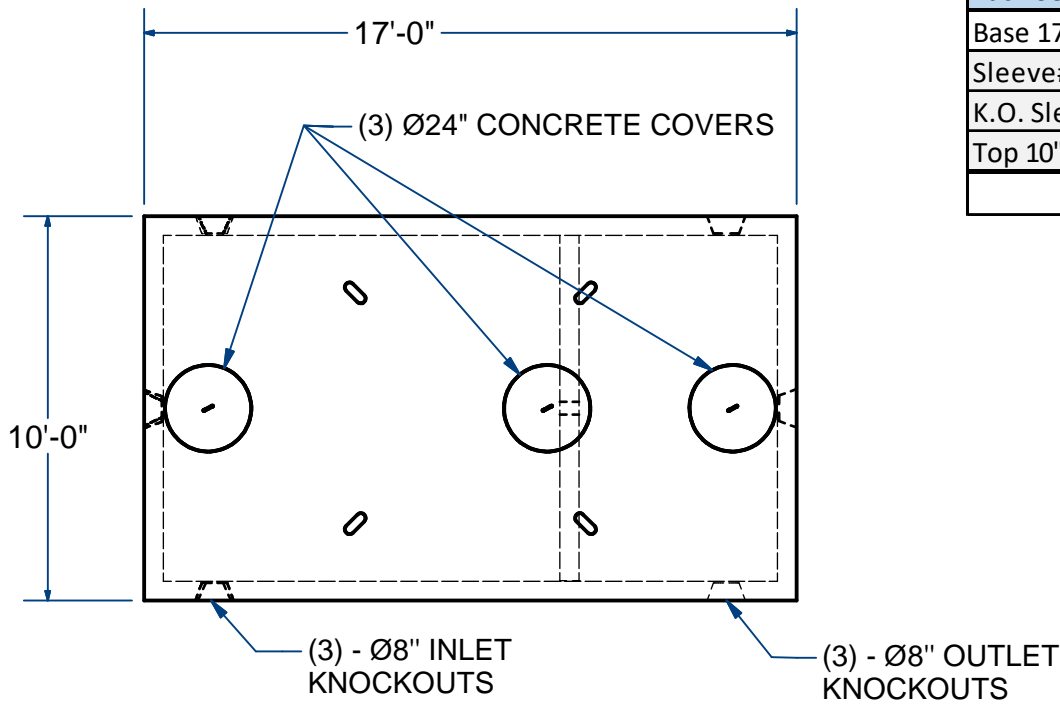
# ACME-SHOREY

PRECAST CONCRETE PRODUCTS

**NOTES:**

1.) SEAM SEALED WITH FLEXIBLE BUTYL RUBBER SEALANT.

Each Section	Wt ea. (Lbs)
Base 17"	22,000
Sleeve#1- 36"	15,500
K.O. Sleeve#2- 30"	12,500
Top 10"	21,250
	71,250



**NAME:** 2-COMPARTMENT TANK, 10' X 17' LP, 6000 Gallon H-20

**ITEM#** STPC1006

Concrete Minimum Strength: 5,000 p.s.i. at 28 days  
 Steel Reinforcement: ASTM A615, Grade 60  
 Design Loading: standard units - AASHTO - H20

WEIGHT 71,250 Lbs

H

DATE: 11-9-2019

Ch 10 Pg 16.2 Sht 2 of 2