

ACME-SHOREY

PRECAST CONCRETE PRODUCTS

WWW.ACME-SHOREY.COM

PHONE (508) 548-9607

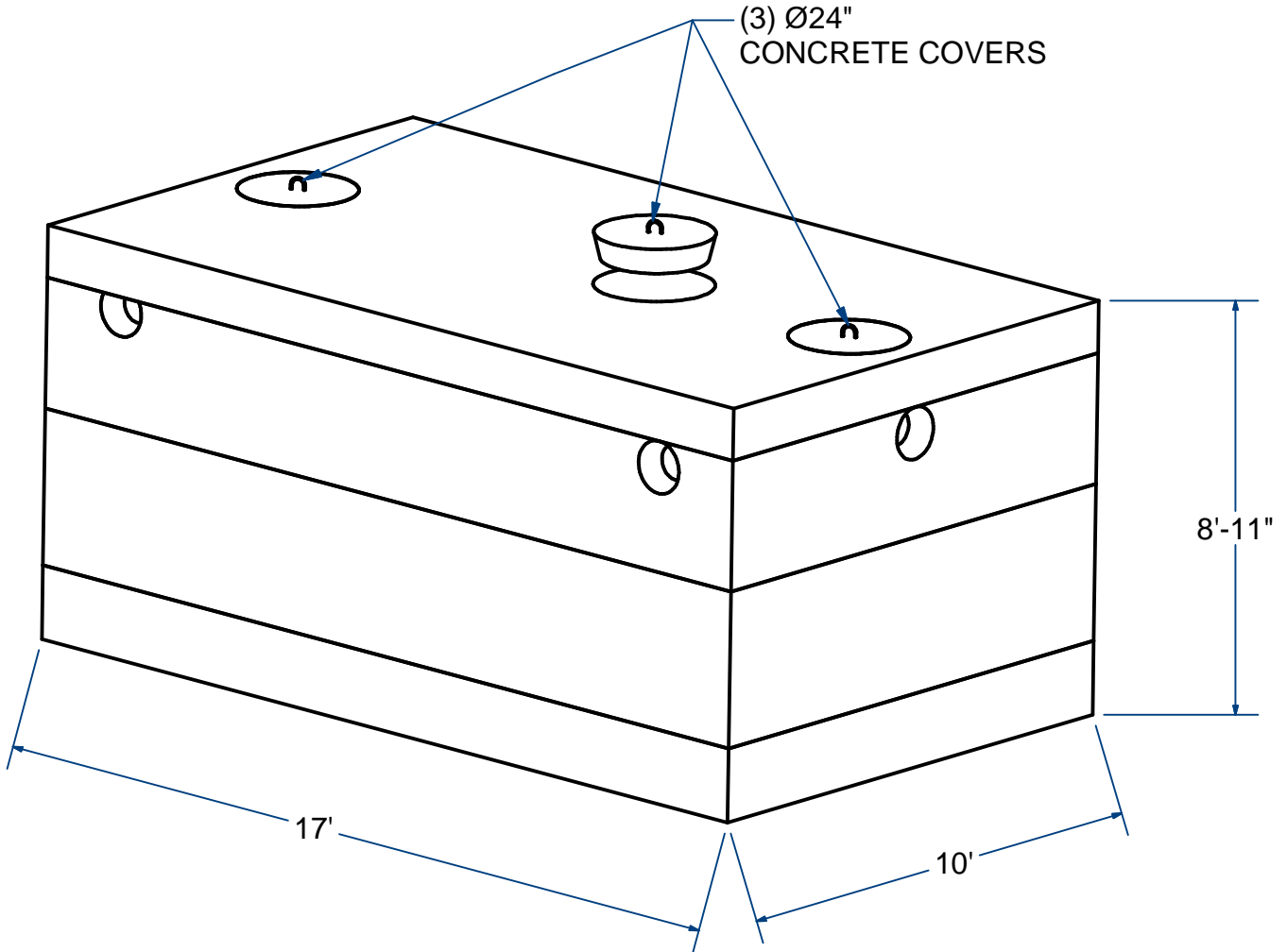
FAX (508) 548-1664

CARVER, MA
334 TREMONT STREET

HARWICH, MA
36 GREAT WESTERN ROAD

NOTES:

- 1.) SEAM SEALED WITH FLEXIBLE BUTYL RUBBER SEALANT.



2-COMPARTMENT TANK, LOW PROFILE

10 X 17'

H2O

7000 Gallon

ITEM# STPC1007

Wt. 75,750 Lbs

10-16.3

Sht 1 of 2

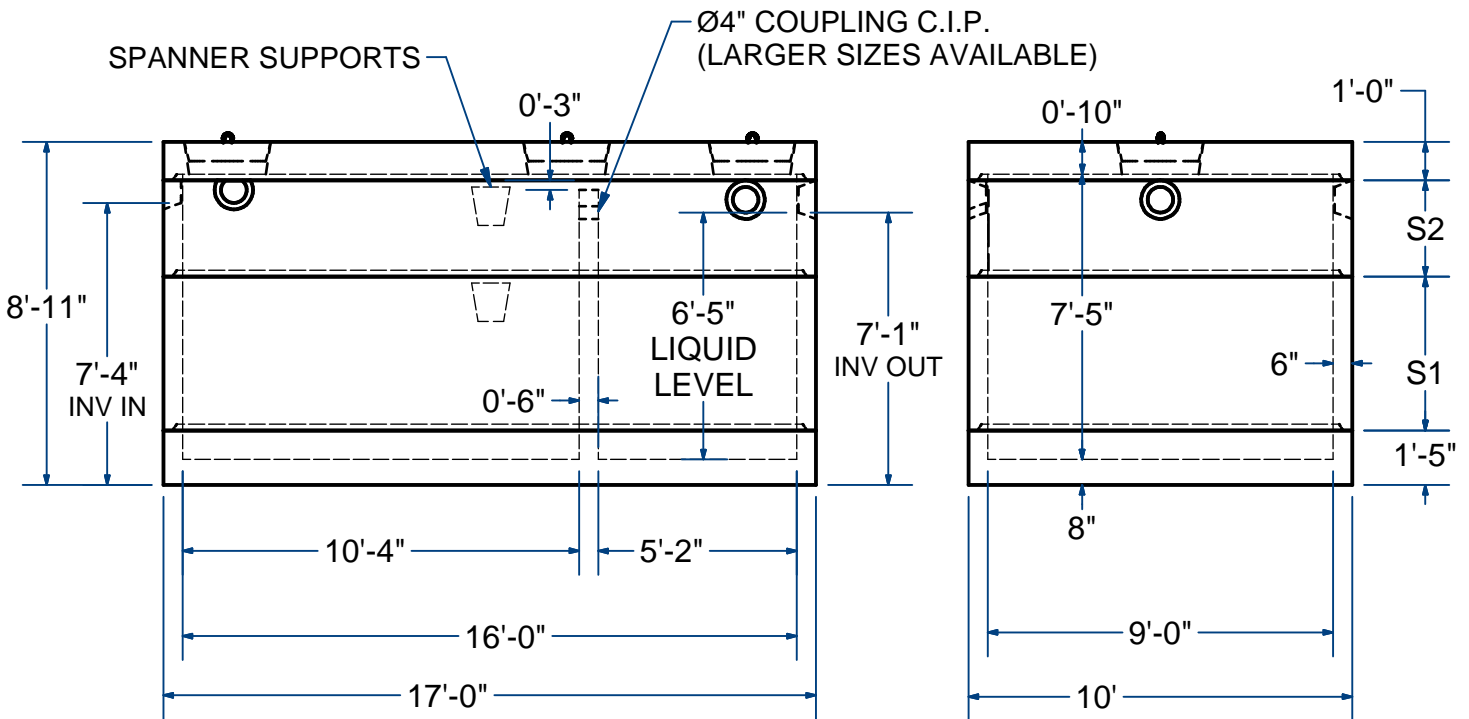
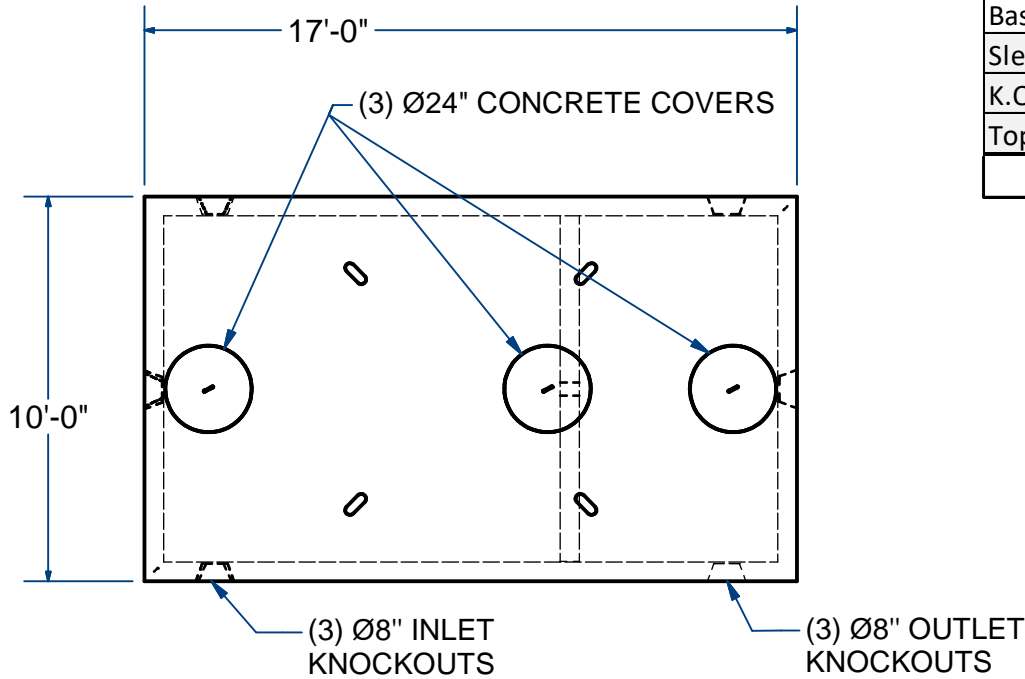
ACME-SHOREY

PRECAST CONCRETE PRODUCTS

NOTES:

- 1.) SEAM SEALED WITH FLEXIBLE BUTYL RUBBER SEALANT.

| Each Section | Wt ea. (Lbs) |
|--------------------|---------------|
| Base 17" | 22,000 |
| Sleeve#1- 48" | 20,000 |
| K.O. Sleeve#2- 30" | 12,500 |
| Top 10" | 21,250 |
| | 75,750 |



NAME: 2-COMPARTMENT TANK, 10' X 17' LP, 7000 Gallon H-20

ITEM# STPC1007

Concrete Minimum Strength: 5,000 p.s.i. at 28 days
 Steel Reinforcement: ASTM A615, Grade 60
 Design Loading: standard units - AASHTO - H20

WEIGHT 75,750 Lbs

H

DATE: 11-9-2019

Ch 10 Pg 16.3 Sht 2 of 2