

# ACME-SHOREY

PRECAST CONCRETE PRODUCTS

WWW.ACMESHOREY.COM

PHONE (508) 548-9607

FAX (508) 548-1664

CARVER, MA

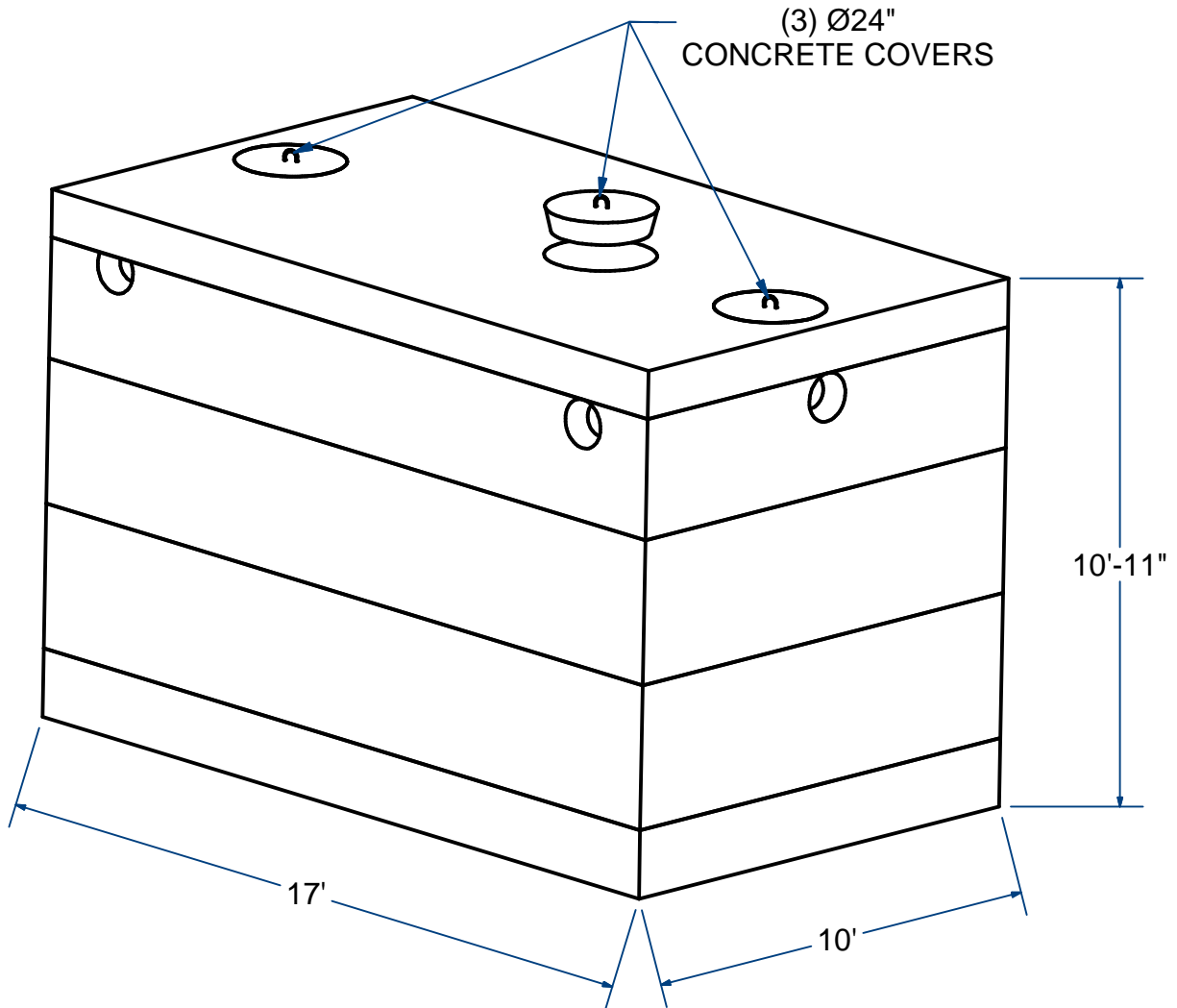
334 TREMONT STREET

HARWICH, MA

36 GREAT WESTERN ROAD

## NOTES:

- 1.) SEAM SEALED WITH FLEXIBLE BUTYL RUBBER SEALANT.



## 2-COMPARTMENT TANK, LOW PROFILE

10 X 17'

H20

9000 Gallon

ITEM# STPC1009

Wt. 86.750 Lbs

10-16.5

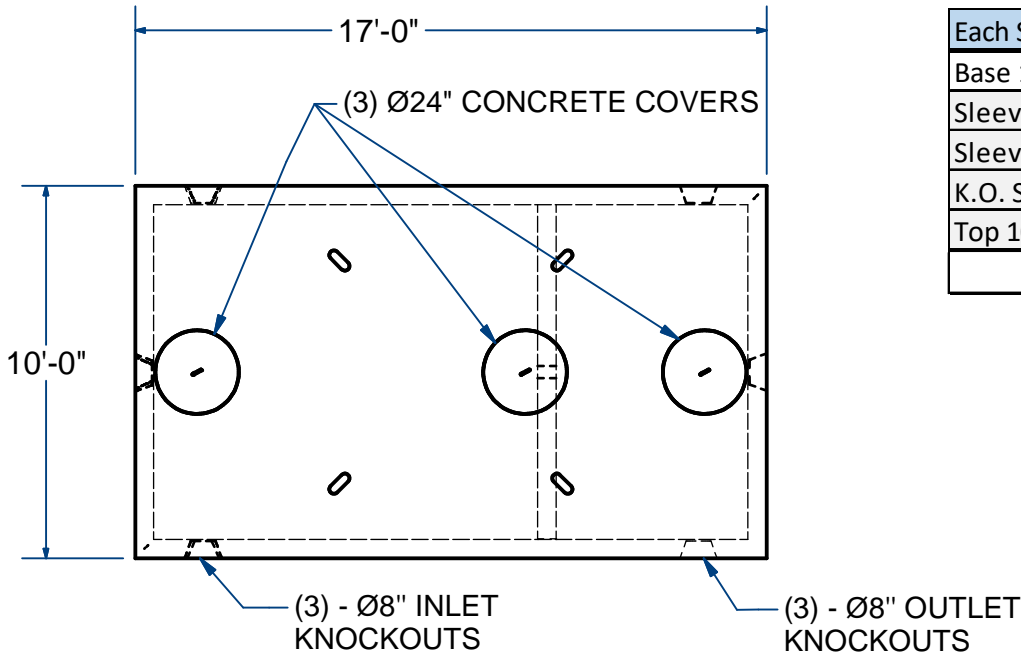
Sht 1 of 2

# ACME-SHOREY

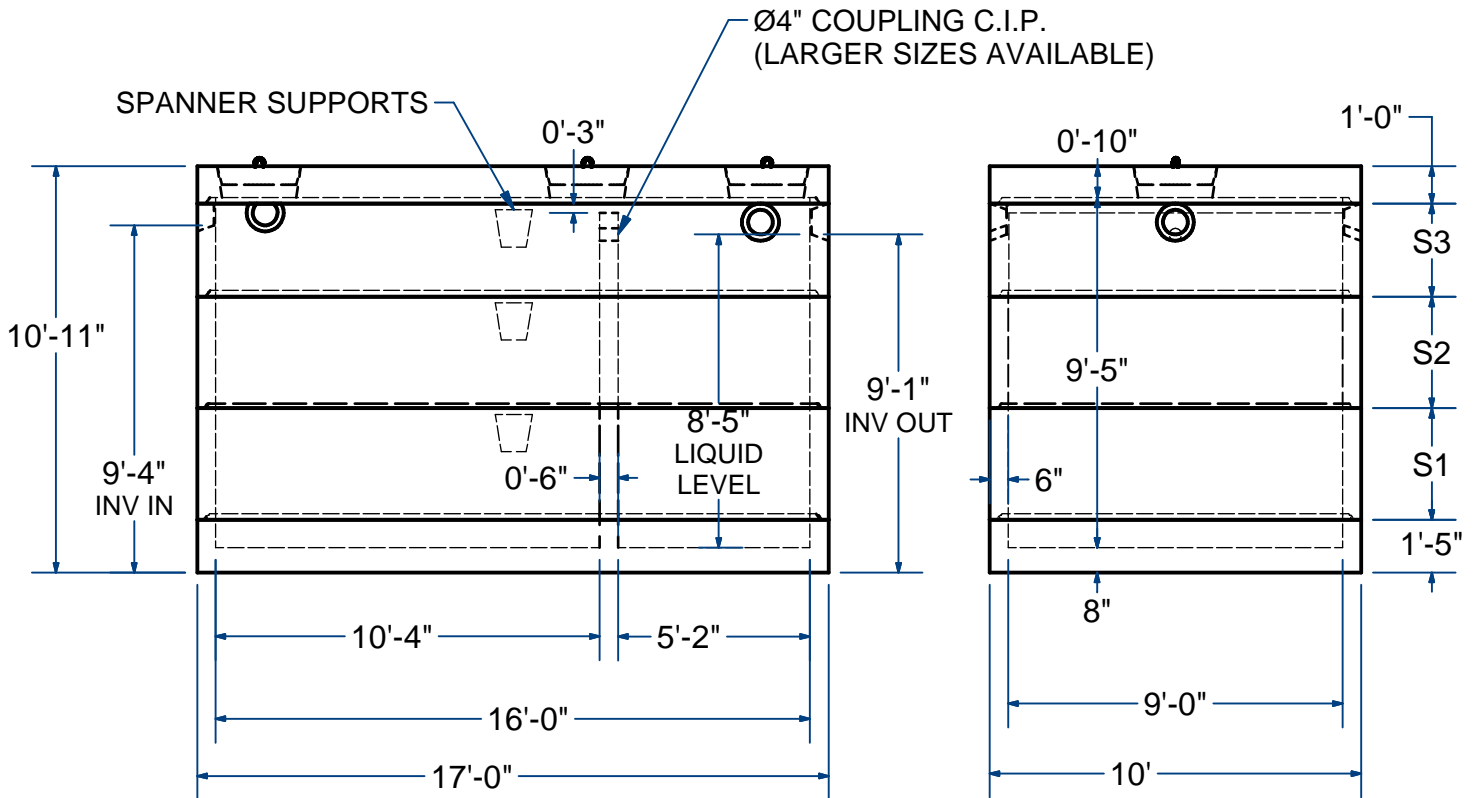
PRECAST CONCRETE PRODUCTS

**NOTES:**

1.) SEAM SEALED WITH FLEXIBLE BUTYL RUBBER SEALANT.



Each Section	Wt ea. (Lbs)
Base 17"	22,000
Sleeve#1- 36"	15,500
Sleeve#2- 36"	15,500
K.O. Sleeve#3- 30"	12,500
Top 10"	21,250
	<b>86,750</b>



**NAME: 2-COMPARTMENT TANK, 10' X 17' LP, 9000 Gallon H-20**

**ITEM# STPC1009**

Concrete Minimum Strength: 5,000 p.s.i. at 28 days  
 Steel Reinforcement: ASTM A615, Grade 60  
 Design Loading: standard units - AASHTO - H20

WEIGHT 86,750 Lbs

H

DATE: 11-9-2019

Ch 10 Pg 16.5 Sht 2 of 2