

ACME-SHOREY

PRECAST CONCRETE PRODUCTS

WWW.ACMESHOREY.COM

PHONE (508) 548-9607

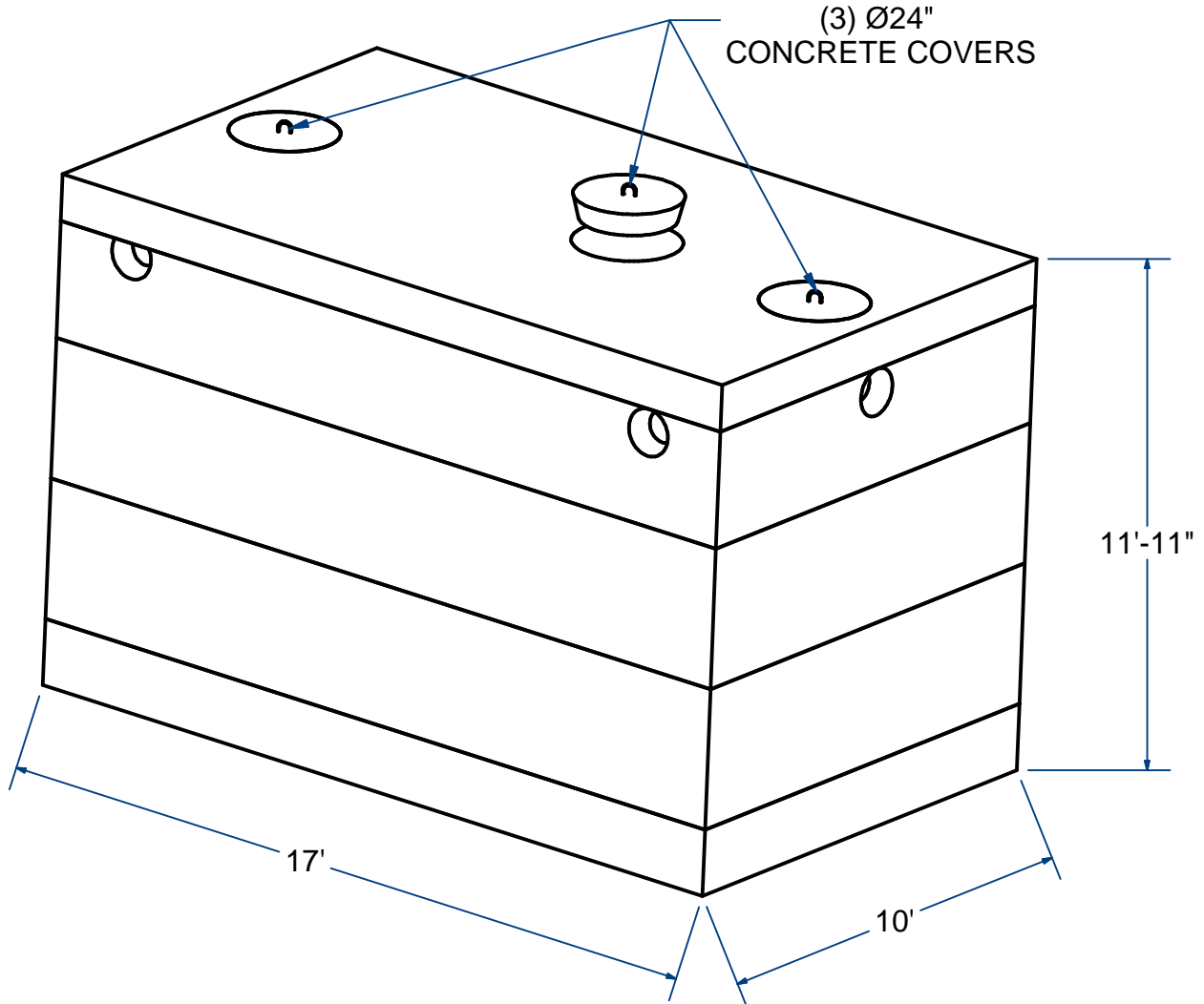
FAX (508) 548-1664

CARVER, MA
334 TREMONT STREET

HARWICH, MA
36 GREAT WESTERN ROAD

NOTES:

- 1.) SEAM SEALED WITH FLEXIBLE BUTYL RUBBER SEALANT.



2-COMPARTMENT TANK, LOW PROFILE

10 X 17'

H2O

10,000 Gallon

ITEM# STPC1010

Wt. 90,750 Lbs

10-16.6

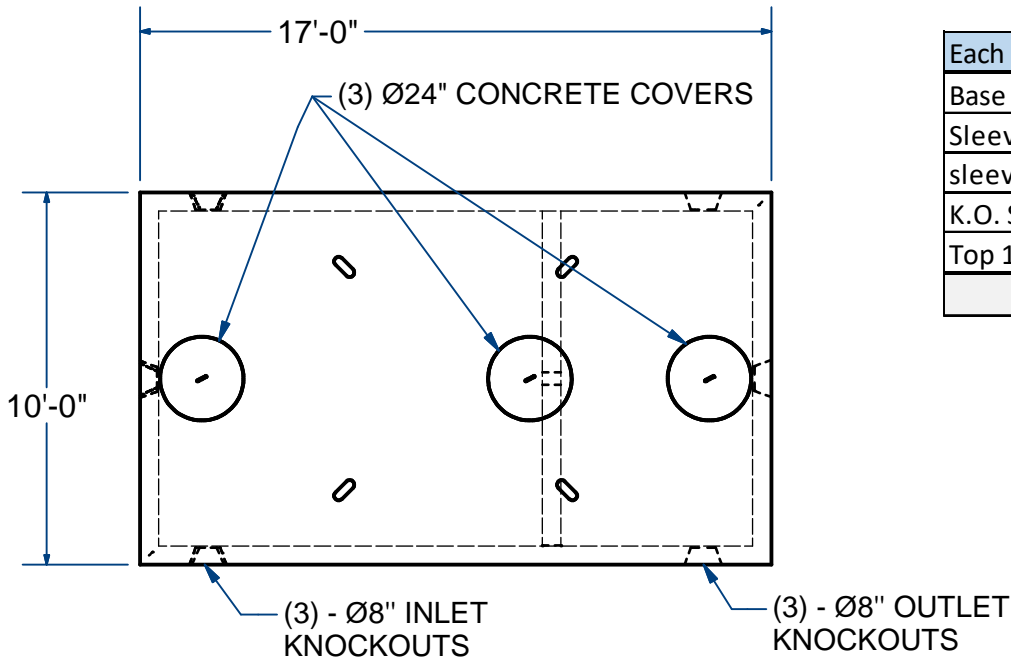
Sht 1 of 2

ACME-SHOREY

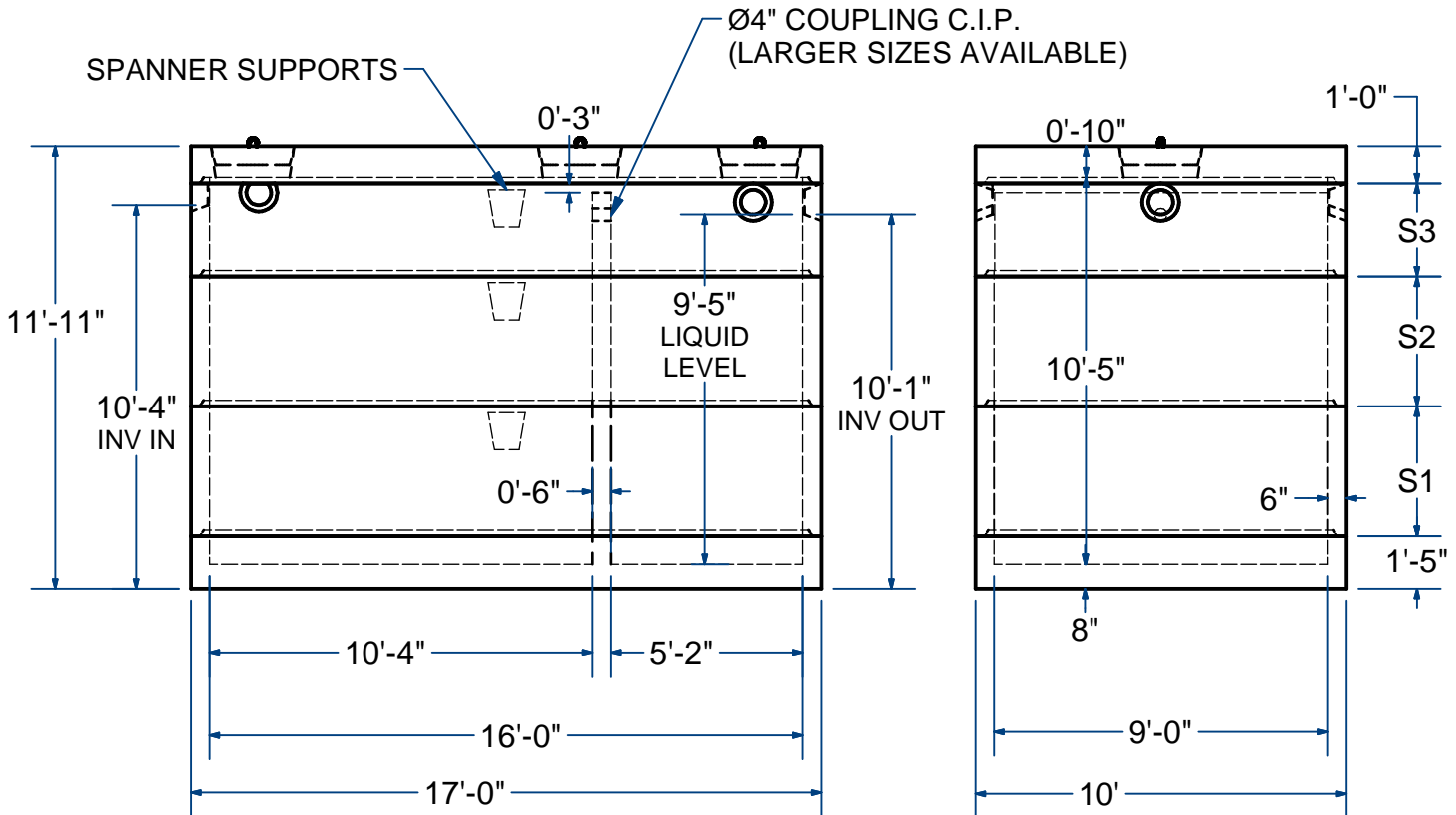
PRECAST CONCRETE PRODUCTS

NOTES:

- 1.) SEAM SEALED WITH FLEXIBLE BUTYL RUBBER SEALANT.



| Each Section | Wt ea. (Lbs) |
|--------------------|---------------|
| Base 17" | 22,000 |
| Sleeve#1- 42" | 17,500 |
| sleeve#2- 42" | 17,500 |
| K.O. Sleeve#3- 30" | 12,500 |
| Top 10" | 21,250 |
| | 90,750 |



NAME: 2-COMPARTMENT TANK, 10' X 17' LP, 10,000 Gallon

H-20

ITEM# STPC1010

Concrete Minimum Strength: 5,000 p.s.i. at 28 days
 Steel Reinforcement: ASTM A615, Grade 60
 Design Loading: standard units - AASHTO - H20

WEIGHT 90,750 Lbs

H

DATE: 11-9-2019