

ACME-SHOREY

PRECAST CONCRETE PRODUCTS

WWW.ACMESHOREY.COM

PHONE (508) 548-9607

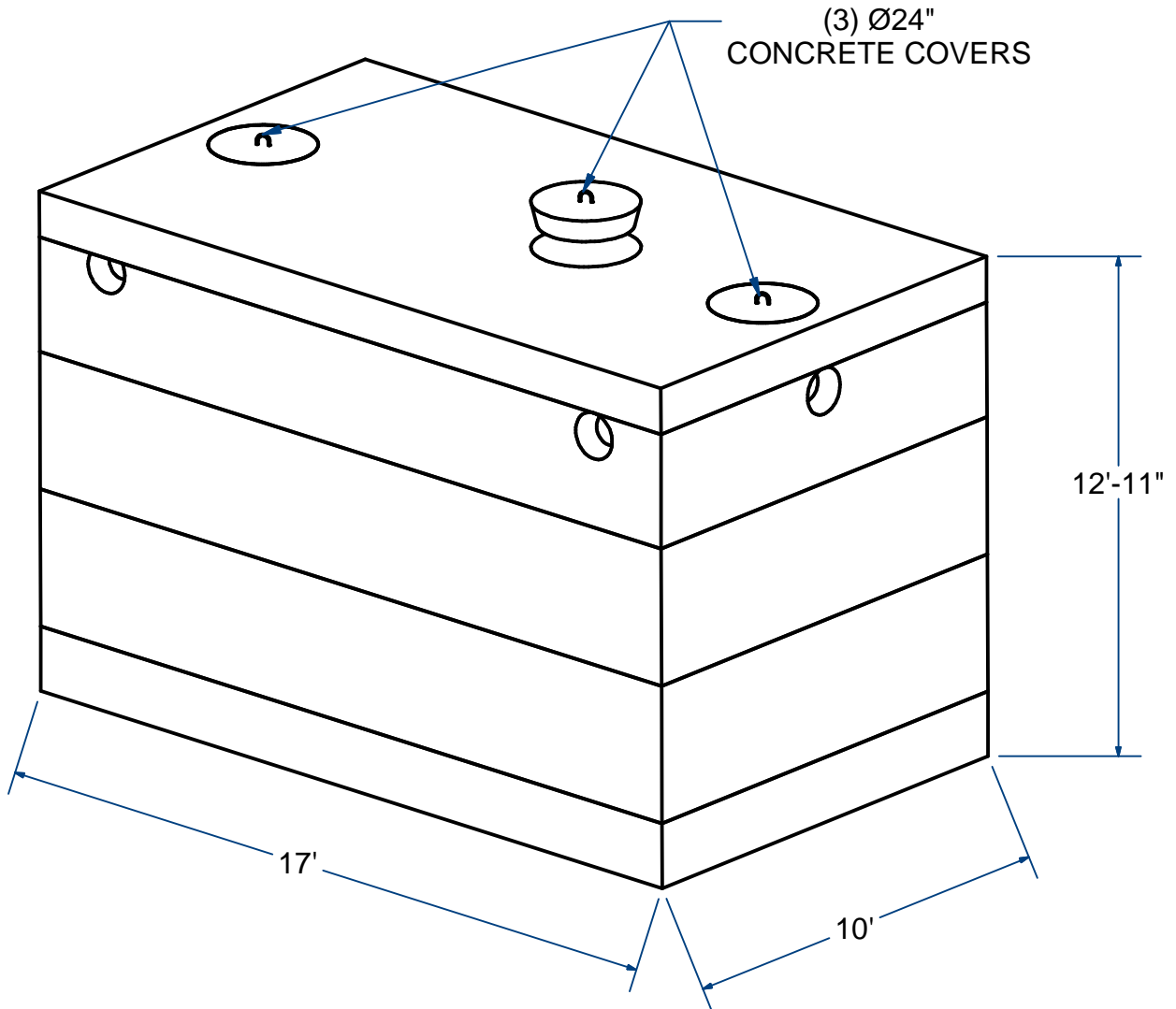
FAX (508) 548-1664

CARVER, MA
334 TREMONT STREET

HARWICH, MA
36 GREAT WESTERN ROAD

NOTES:

- 1.) SEAM SEALED WITH FLEXIBLE BUTYL RUBBER SEALANT.



2-COMPARTMENT TANK, LOW PROFILE

10 X 17'

H2O

11,000 Gallon

ITEM# STPC1011

Wt. 95,750 Lbs

10-16.7

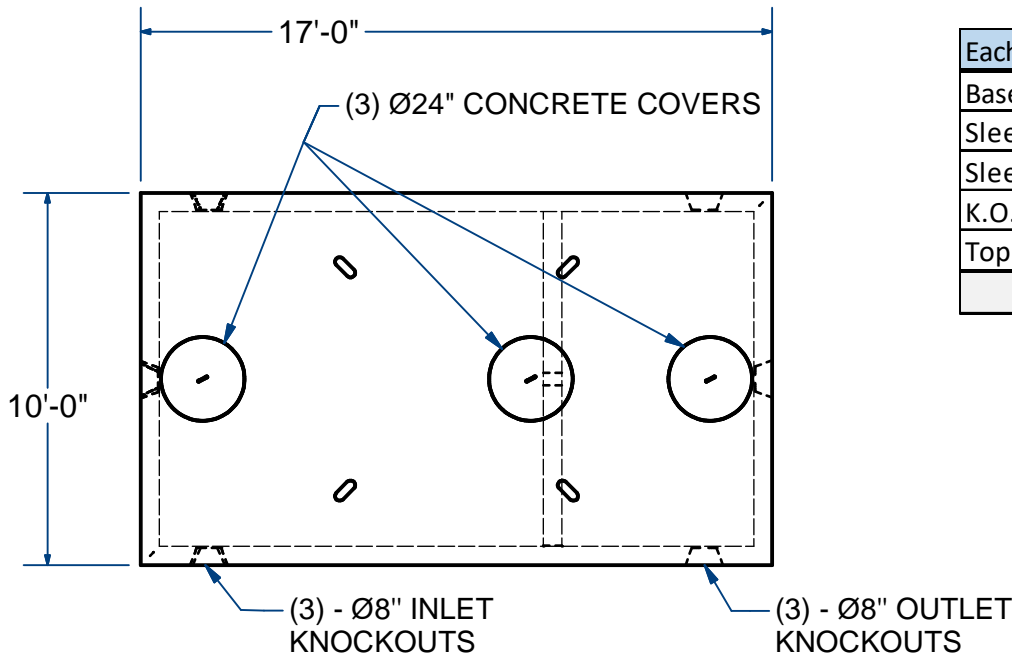
Sht 1 of 2

ACME-SHOREY

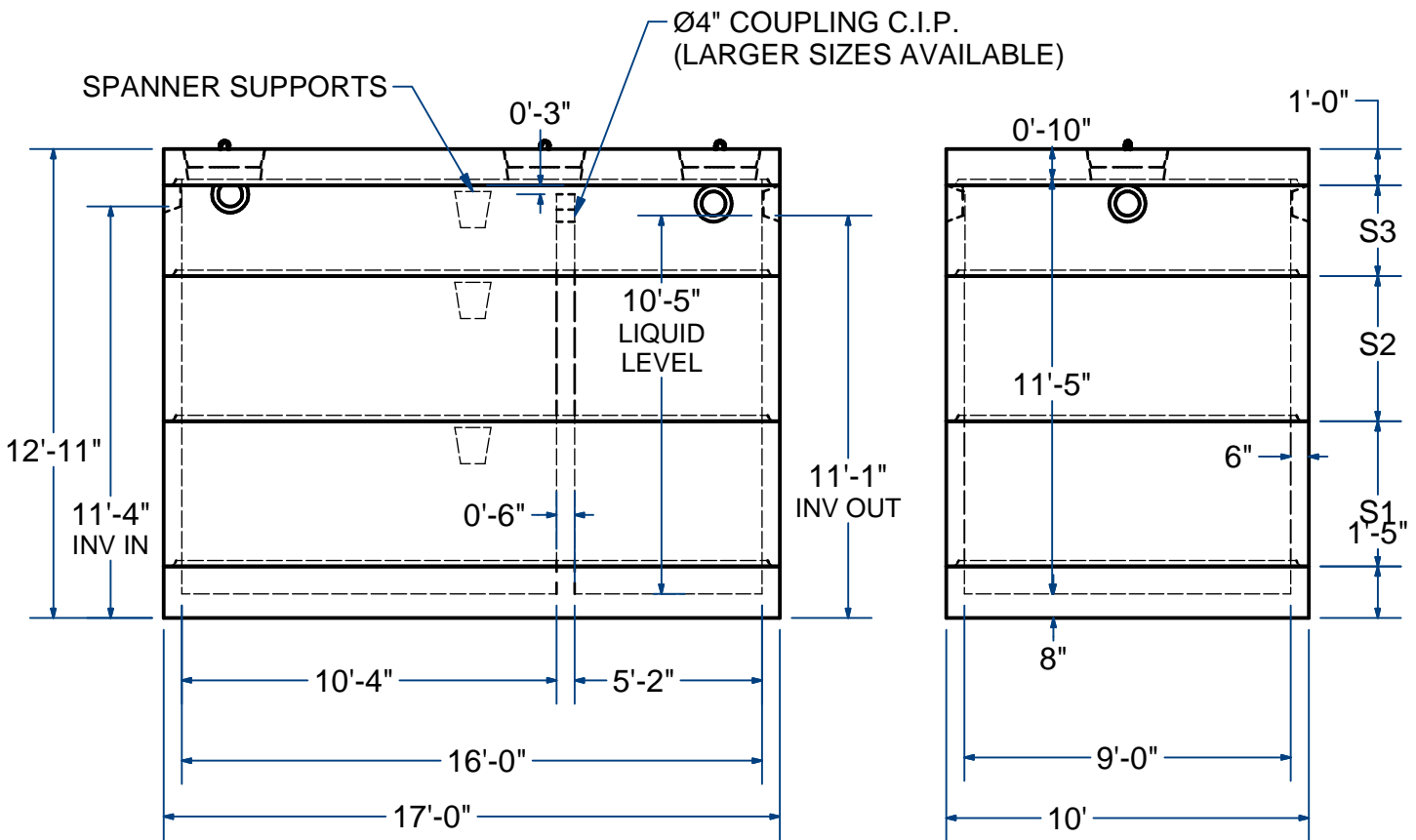
PRECAST CONCRETE PRODUCTS

NOTES:

- 1.) SEAM SEALED WITH FLEXIBLE BUTYL RUBBER SEALANT.



Each Section	Wt ea. (Lbs)
Base 17"	22,000
Sleeve#1-48"	20,000
Sleeve#2-48"	20,000
K.O. Sleeve#3- 30"	12,500
Top 10"	21,250
	95,750



NAME: 2-COMPARTMENT TANK, 10' X 17' LP, 11,000 Gallon

H-20

ITEM# STPC1011

Concrete Minimum Strength: 5,000 p.s.i. at 28 days
 Steel Reinforcement: ASTM A615, Grade 60
 Design Loading: standard units - AASHTO - H20

WEIGHT 95,750 Lbs

H

DATE: 11-9-2019