

ACME-SHOREY

PRECAST CONCRETE PRODUCTS

WWW.ACME-SHOREY.COM

PHONE (508) 548-9607

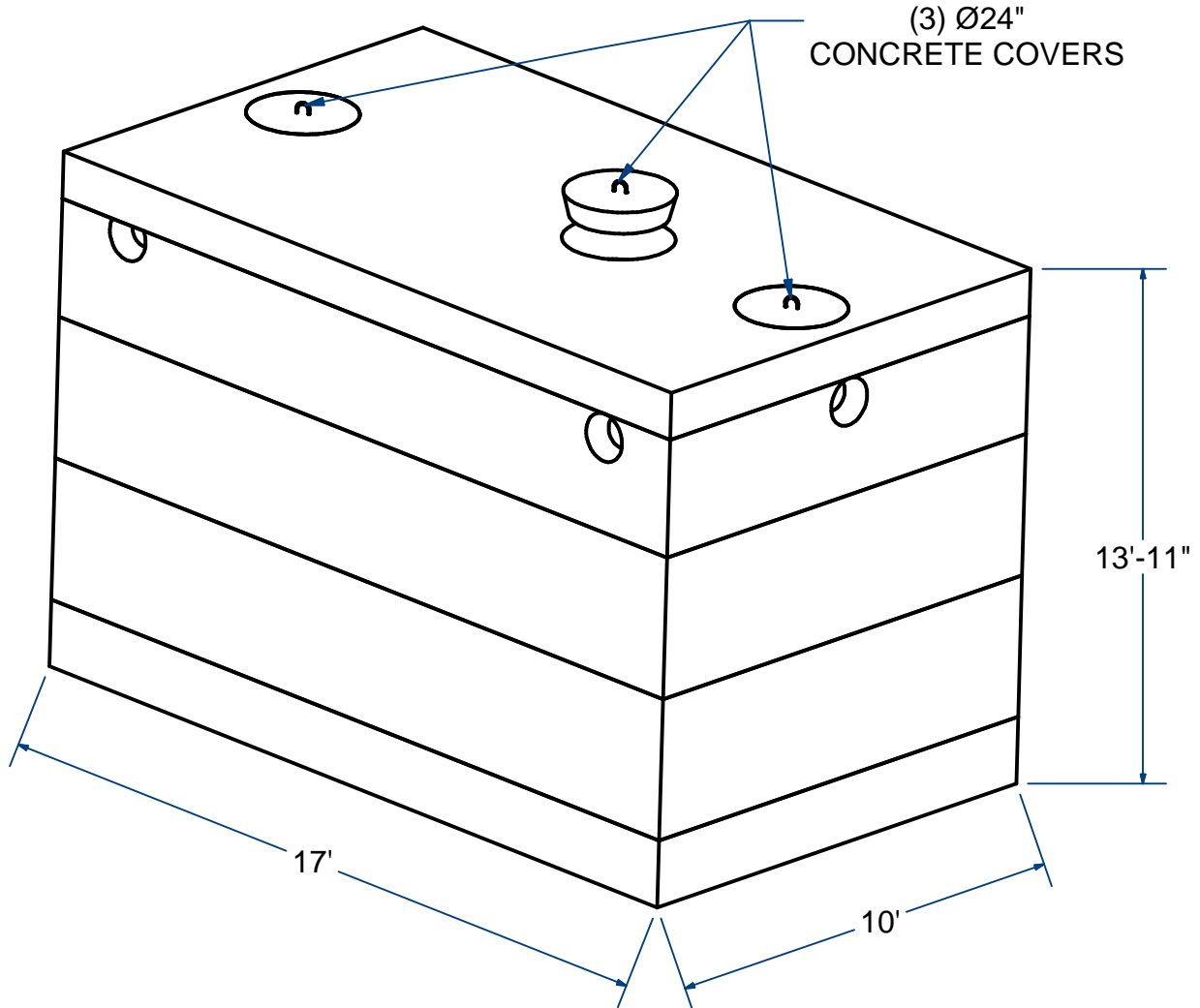
FAX (508) 548-1664

CARVER, MA
334 TREMONT STREET

HARWICH, MA
36 GREAT WESTERN ROAD

NOTES:

- 1.) SEAM SEALED WITH FLEXIBLE BUTYL RUBBER SEALANT.



2-COMPARTMENT TANK, LOW PROFILE

10 X 17'

H2O

12,000 Gallon

ITEM# STPC1012

Wt. 100,250 Lbs

10-16.8

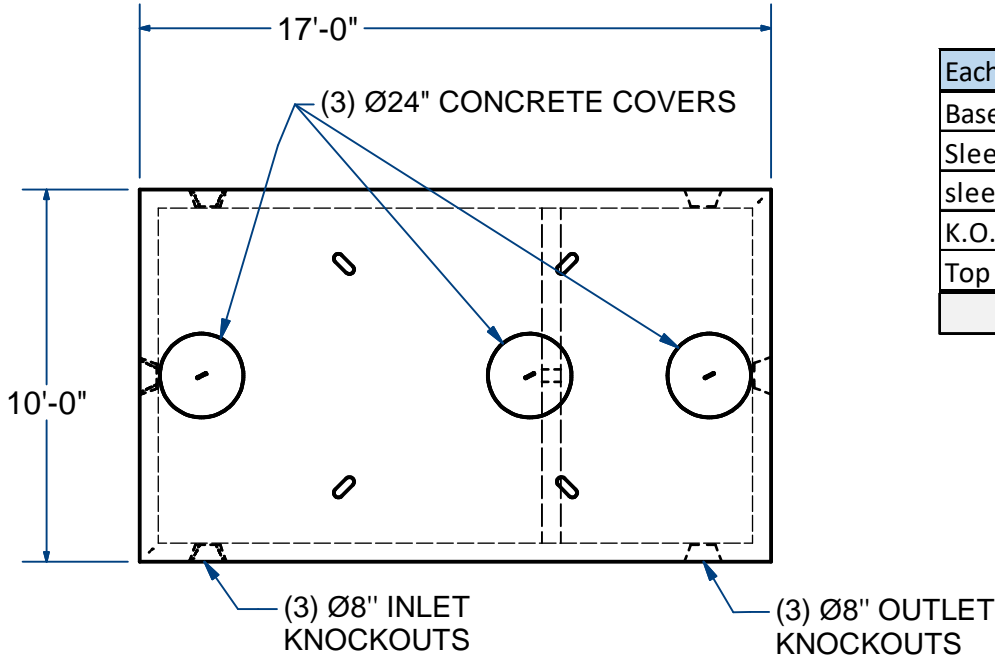
Sht 1 of 2

ACME-SHOREY

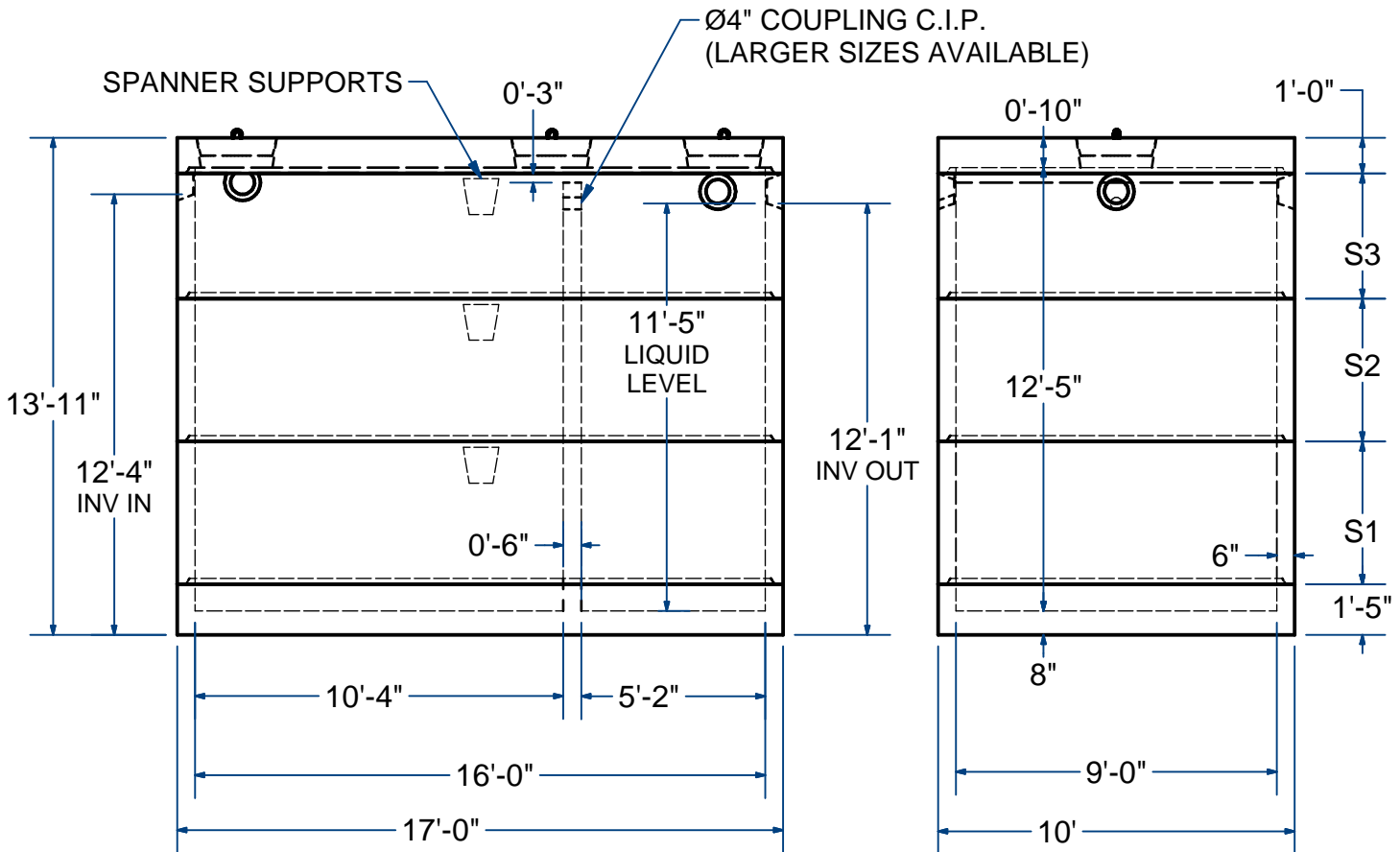
PRECAST CONCRETE PRODUCTS

NOTES:

1.) SEAM SEALED WITH FLEXIBLE BUTYL RUBBER SEALANT.



Each Section	Wt ea. (Lbs)
Base 17"	22,000
Sleeve#1- 48"	20,000
sleeve#2- 48"	20,000
K.O. Sleeve#3- 42"	17,000
Top 10"	21,250
	100,250



NAME: 2-COMPARTMENT TANK, 10' X 17' LP, 12,000 Gallon H-20

ITEM# STPC1012

Concrete Minimum Strength: 5,000 p.s.i. at 28 days
 Steel Reinforcement: ASTM A615, Grade 60
 Design Loading: standard units - AASHTO - H20

WEIGHT 100,250 Lbs

H

DATE: 11-9-2019

Ch 10 Pg 16.8 Sht 2 of 2