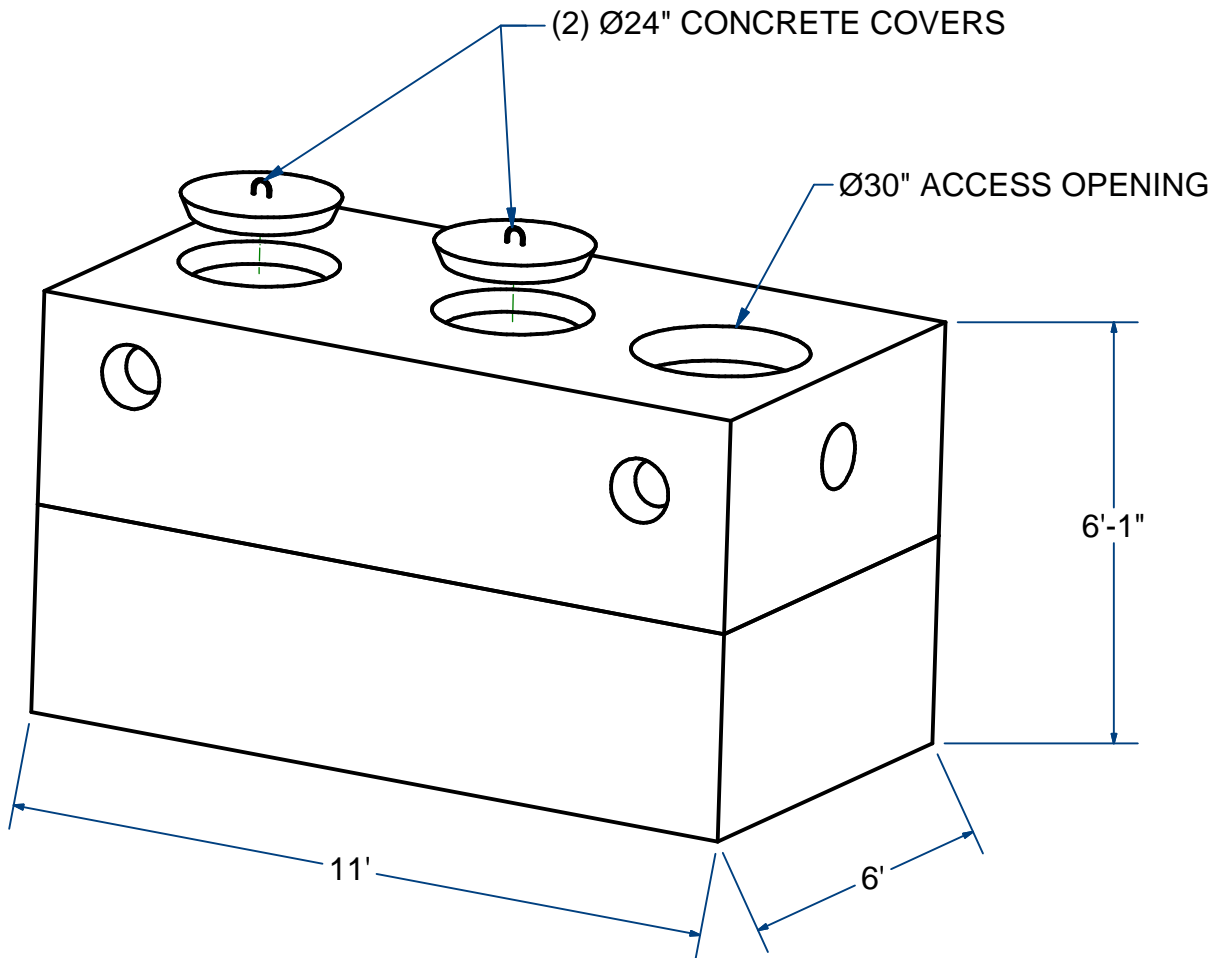


NOTES:

- 1.) SEAM SEALED WITH FLEXIBLE BUTYL RUBBER SEALANT.
- 2.) COMPARTMENT VOLUME (980 / 490 Gallons).



**SEPTIC TANK-PUMP CHAMBER**

H20

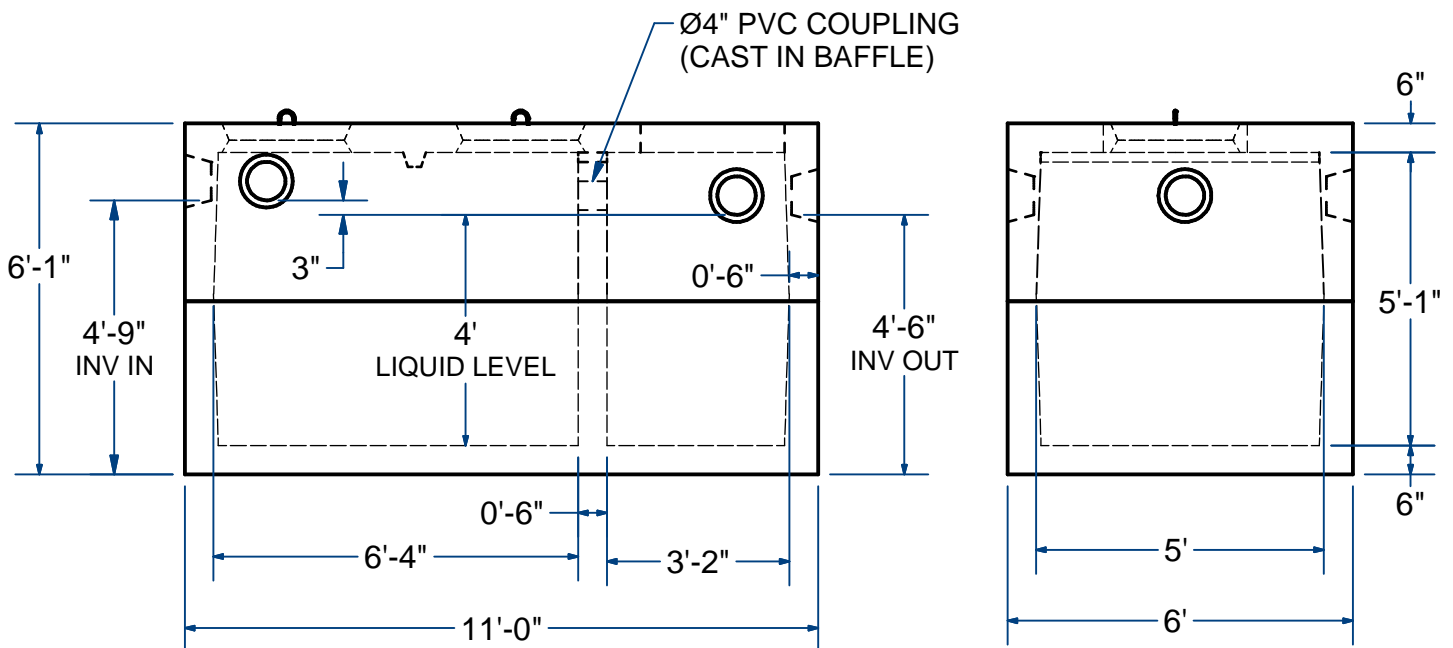
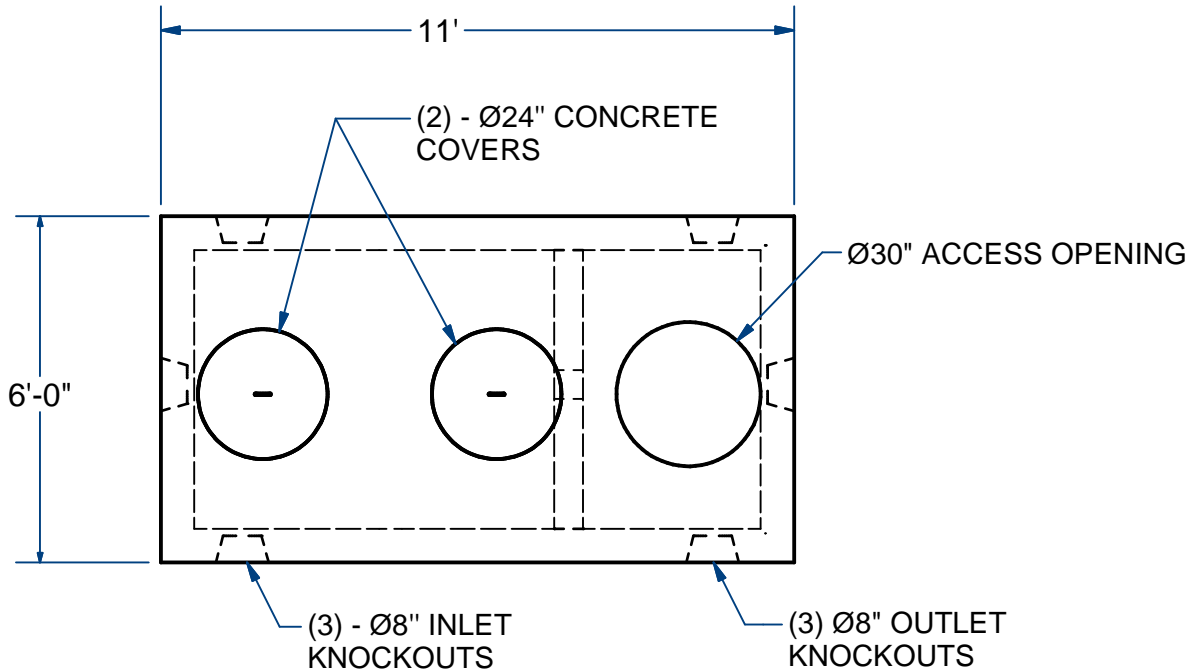
1500 Gallon

# ACME-SHOREY

PRECAST CONCRETE PRODUCTS

**NOTES:**

- 1.) SEAM SEALED WITH FLEXIBLE BUTYL RUBBER SEALANT.
- 2.) TANK Baffle LOCATION  $\frac{2}{3}$  -  $\frac{1}{3}$  .  
COMPARTMENT VOLUME (980 / 490 Gallons).



**NAME: SEPTIC TANK-PUMP CHAMBER, 1500 Gallon**

**H-20**

**ITEM# STPC15230**

Concrete Minimum Strength: 5,000 p.s.i. at 28 days  
Steel Reinforcement: ASTM A615, Grade 60  
Design Loading: standard units - AASHTO - H20

TOP 12,000 Lbs  
BOTTOM 13,000 Lbs

CH

DATE: 3-14-2019

Ch 10 Pg 1.2 Sht 2 of 2