

# ACME-SHOREY

PRECAST CONCRETE PRODUCTS

WWW.ACME-SHOREY.COM

PHONE (508) 548-9607

FAX (508) 548-1664

CARVER, MA

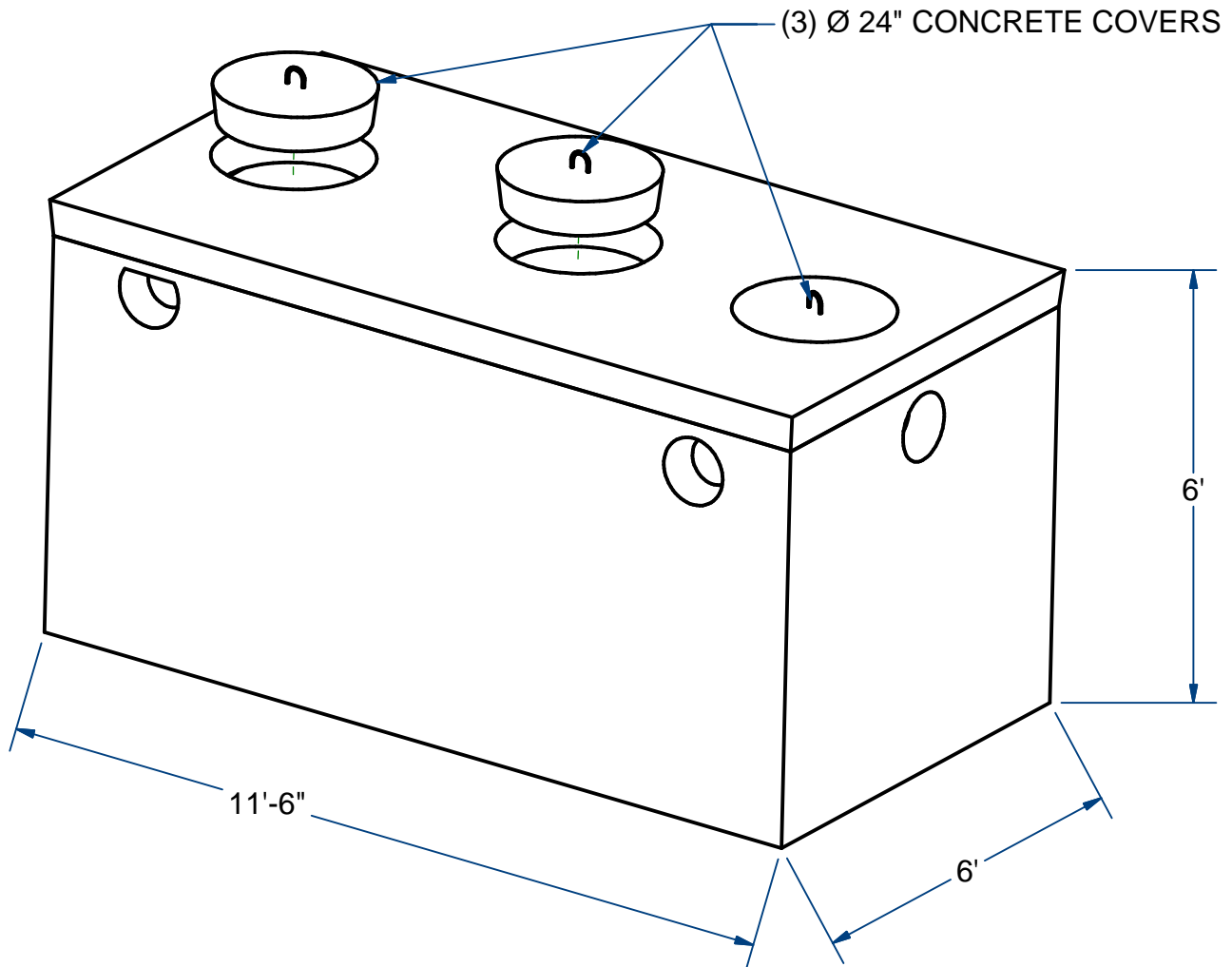
334 TREMONT STREET

HARWICH, MA

36 GREAT WESTERN ROAD

## NOTES:

- 1.) SEAM SEALED WITH FLEXIBLE BUTYL RUBBER SEALANT.
- 2.) COMPARTMENT VOLUME (1000 / 500 Gallons).



## SEPTIC TANK-PUMP CHAMBER MONOLITHIC

H20

1500 Gallon

ITEM# STPC152M

Wt. 25,000 Lbs

10-2.1

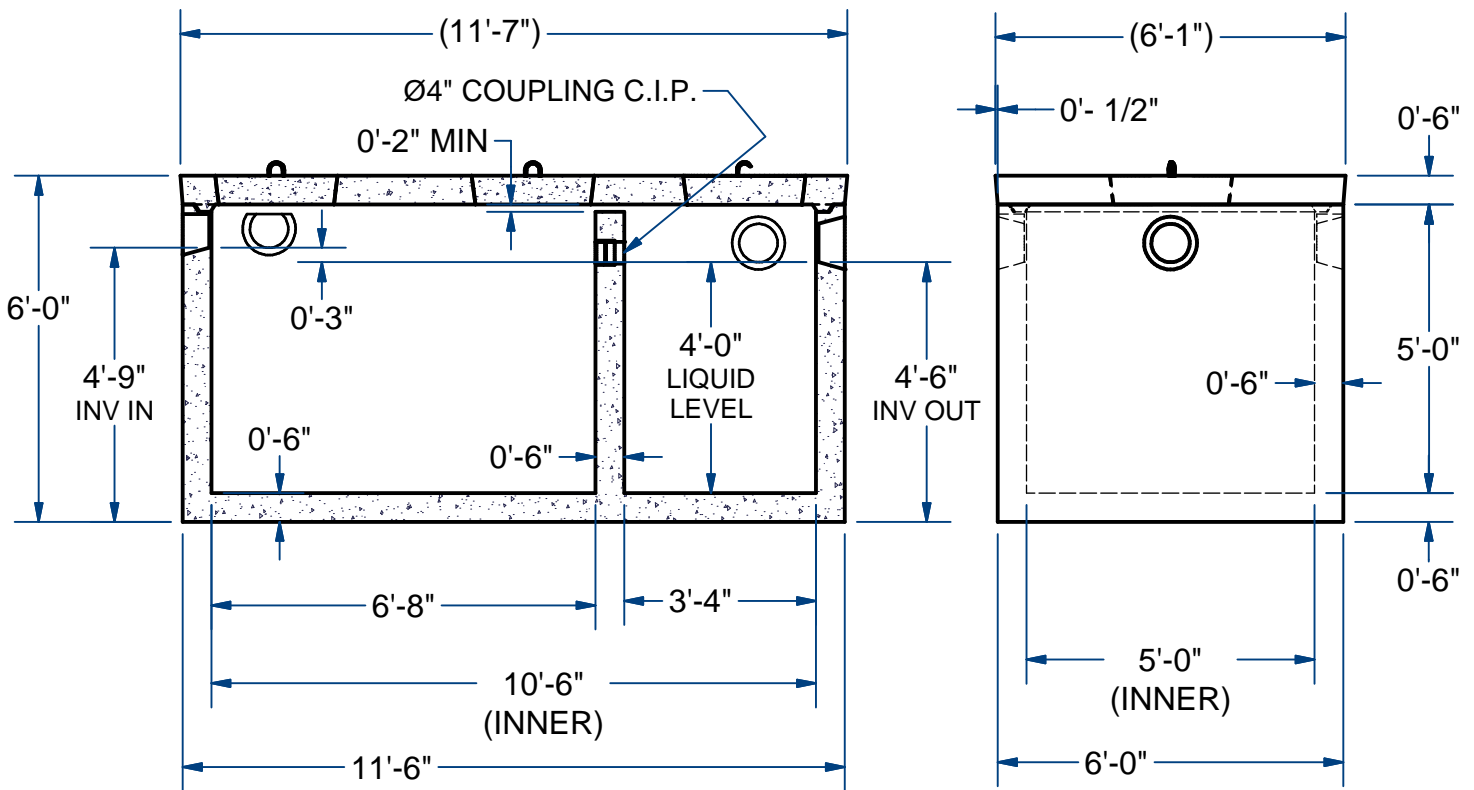
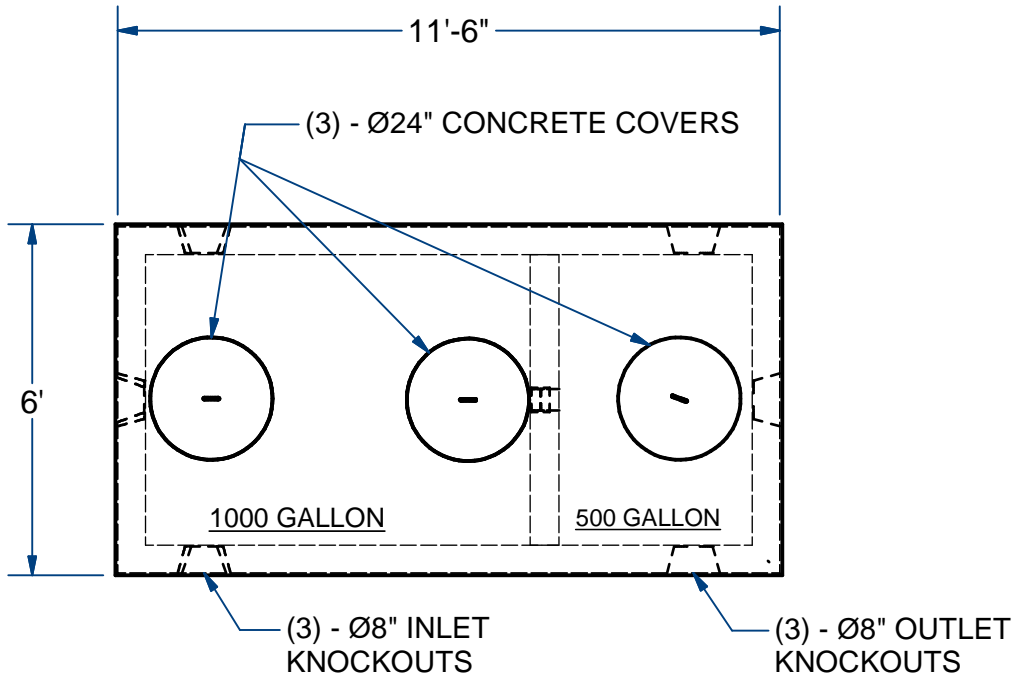
Sht 1 of 2

# ACME-SHOREY

PRECAST CONCRETE PRODUCTS

**NOTES:**

- 1.) SEAM SEALED WITH FLEXIBLE BUTYL RUBBER SEALANT.
- 2.) TANK Baffle LOCATION  $\frac{2}{3}$  -  $\frac{1}{3}$  .  
COMPARTMENT VOLUME (1000 / 500 Gallons).



**NAME: SEPTIC TANK-PUMP CHAMBER, 1500G., Mono H-20**      **ITEM# STPC152M**

Concrete Minimum Strength: 5,000 p.s.i. at 28 days  
 Steel Reinforcement: ASTM A615, Grade 60  
 Design Loading: standard units - AASHTO - H20

TOP 5,000 Lbs  
 BOTTOM 20,000 Lbs

**C**      DATE: 11-3-2019  
 Ch 10    Pg 2.1    Sht 2 of 2