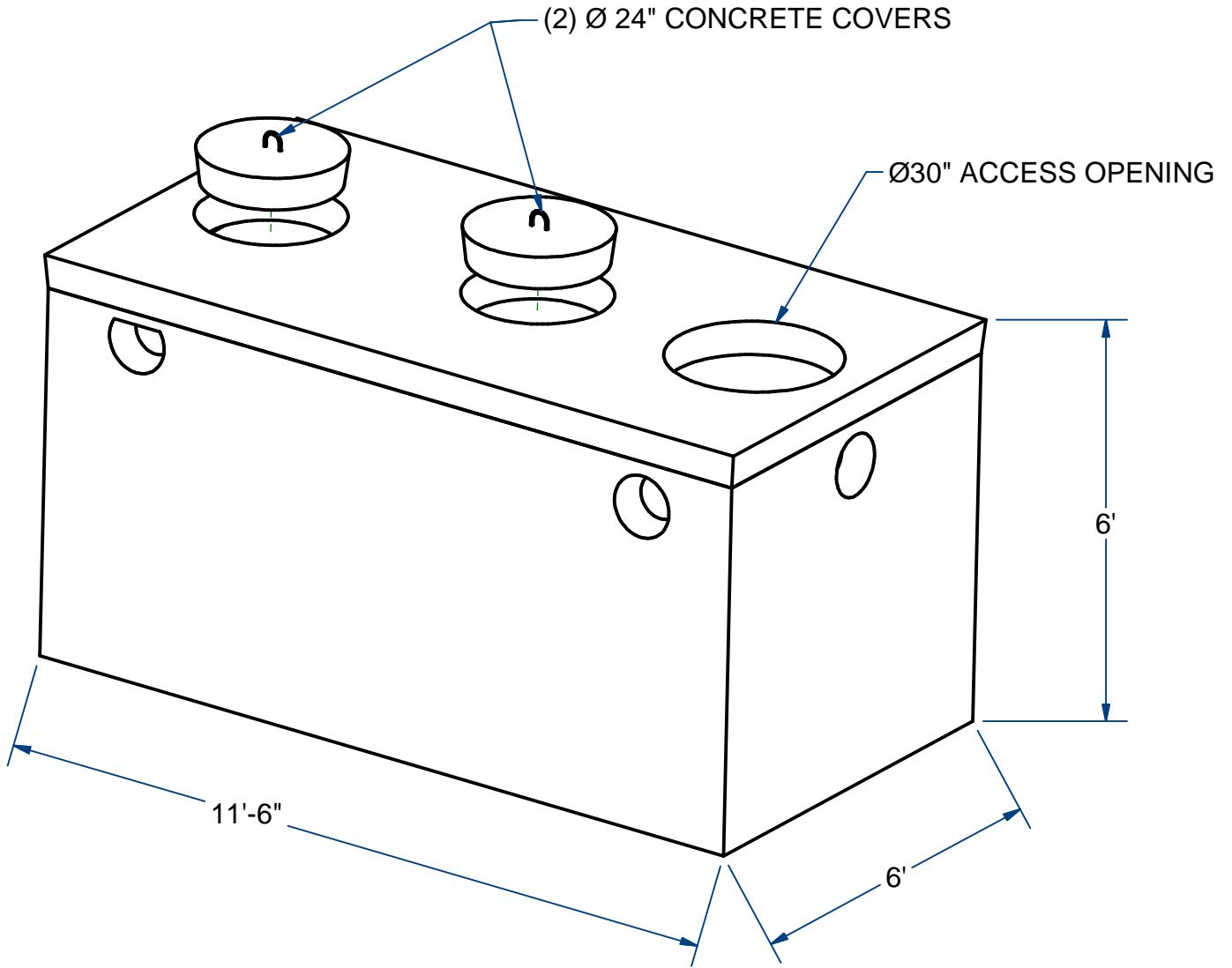


NOTES:

- 1.) SEAM SEALED WITH FLEXIBLE BUTYL RUBBER SEALANT.
- 2.) COMPARTMENT VOLUME (1000 / 500 Gallons).



SEPTIC TANK-PUMP CHAMBER MONOLITHIC

H20

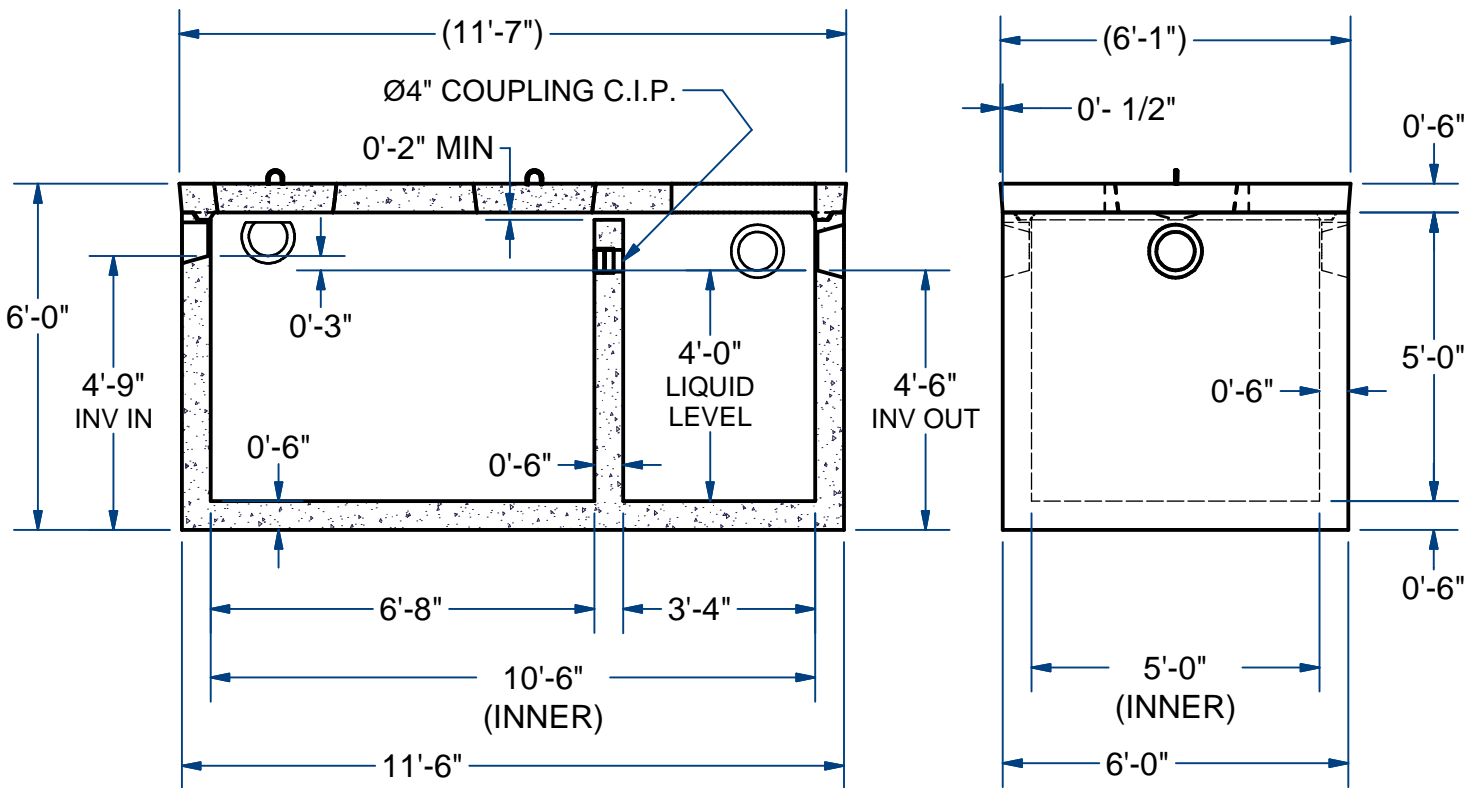
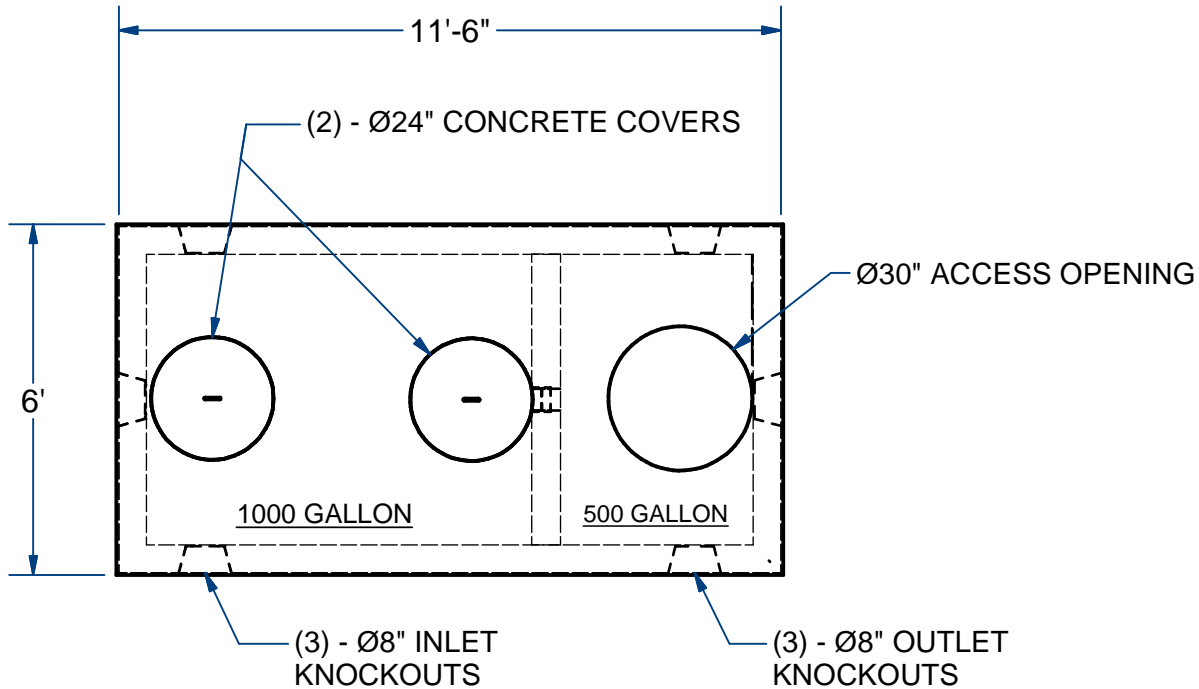
1500 Gallon

ACME-SHOREY

PRECAST CONCRETE PRODUCTS

NOTES:

- 1.) SEAM SEALED WITH FLEXIBLE BUTYL RUBBER SEALANT.
- 2.) TANK BAFFLE LOCATION $\frac{2}{3}$ - $\frac{1}{3}$.
COMPARTMENT VOLUME (1000 / 500 Gallons).



NAME: SEPTIC TANK-PUMP CHAMBER, 1500G., Mono H-20

ITEM# STPC152M30

Concrete Minimum Strength: 5,000 p.s.i. at 28 days
Steel Reinforcement: ASTM A615, Grade 60
Design Loading: standard units - AASHTO - H20

TOP 5,000 Lbs
BOTTOM 20,000 Lbs

C DATE: 11-3-2019
Ch 10 Pg 2.2 Sht 2 of 2