

# ACME-SHOREY

PRECAST CONCRETE PRODUCTS

WWW.ACME-SHOREY.COM

PHONE (508) 548-9607

FAX (508) 548-1664

CARVER, MA

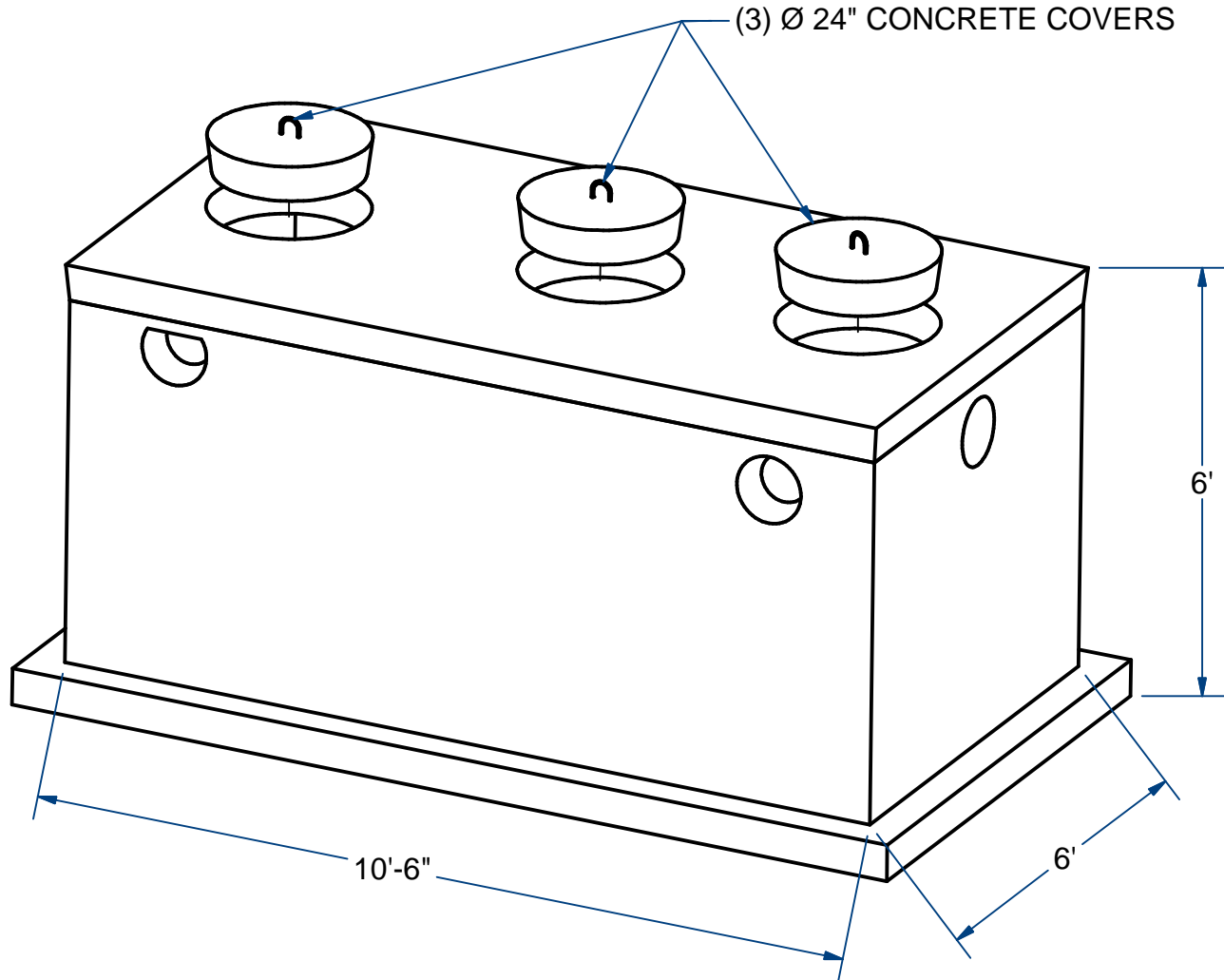
334 TREMONT STREET

HARWICH, MA

36 GREAT WESTERN ROAD

### NOTES:

- 1.) SEAM SEALED WITH FLEXIBLE BUTYL RUBBER SEALANT.
- 2.) COMPARTMENT VOLUME (1000 / 500 Gallons).



## SEPTIC TANK-PUMP CHAMBER MONOLITHIC

H20

1500 Gallon

ITEM# STPC152MEXT

Wt. 26,500 Lbs

10-2.5

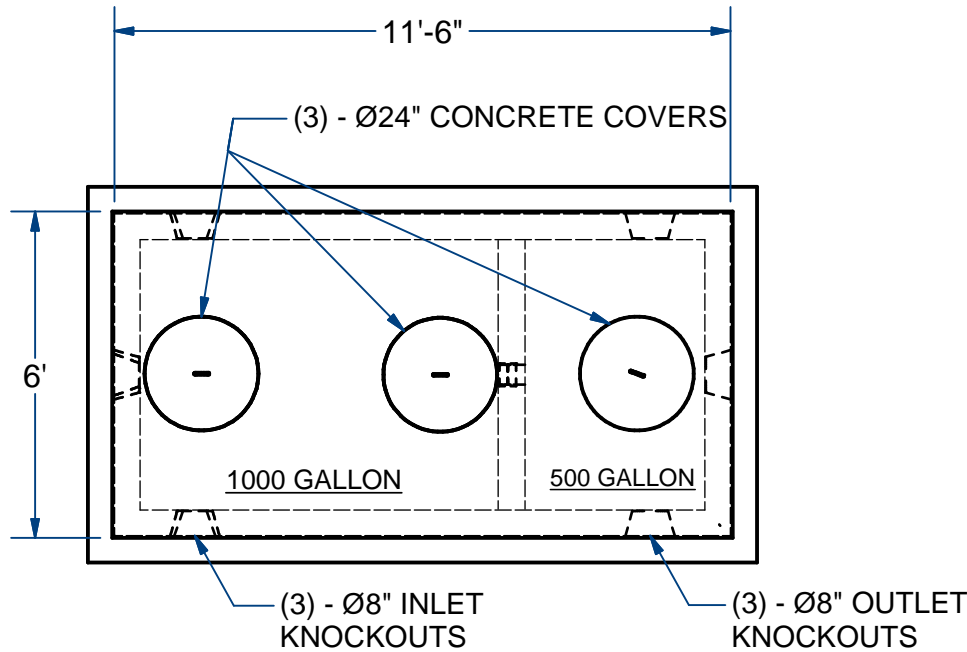
Sht 1 of 2

# ACME-SHOREY

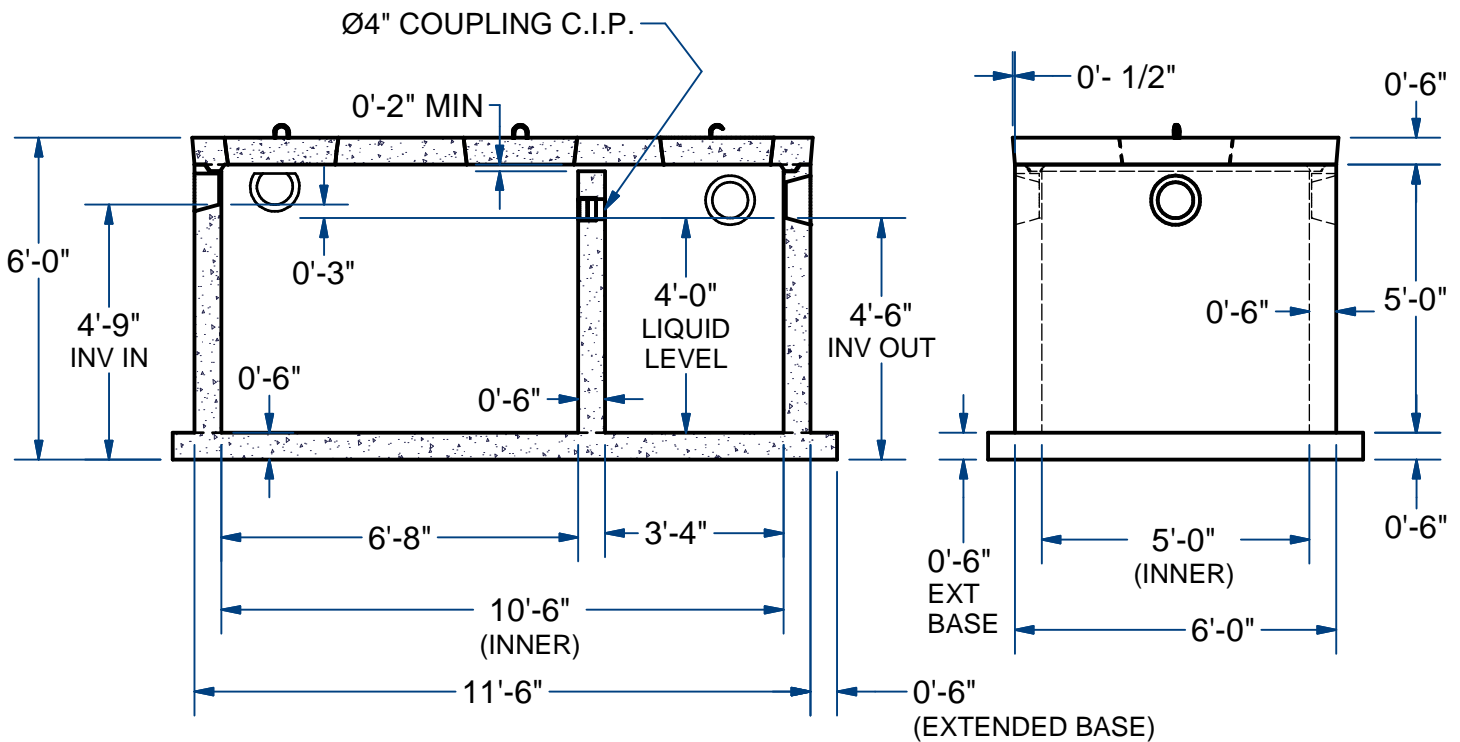
PRECAST CONCRETE PRODUCTS

**NOTES:**

- 1.) SEAM SEALED WITH FLEXIBLE BUTYL RUBBER SEALANT.
- 2.) TANK Baffle LOCATION  $\frac{2}{3}$  -  $\frac{1}{3}$  .  
COMPARTMENT VOLUME (1000 / 500 Gallons).



STPC152M		
Ea. Sect.	Ht	Wt (Lbs)
Base	5'-6"	20,000
Ext Base	6"x6"	1,500
Top	6"	5,000
		26,500



**NAME: SEPTIC TANK-PUMP CHAMBER, 1500G., Mono H-20**

**ITEM# STPC152MEXT**

Concrete Minimum Strength: 5,000 p.s.i. at 28 days  
Steel Reinforcement: ASTM A615, Grade 60  
Design Loading: standard units - AASHTO - H20

WEIGHT 26,500 Lbs

C

DATE: 3-14-23