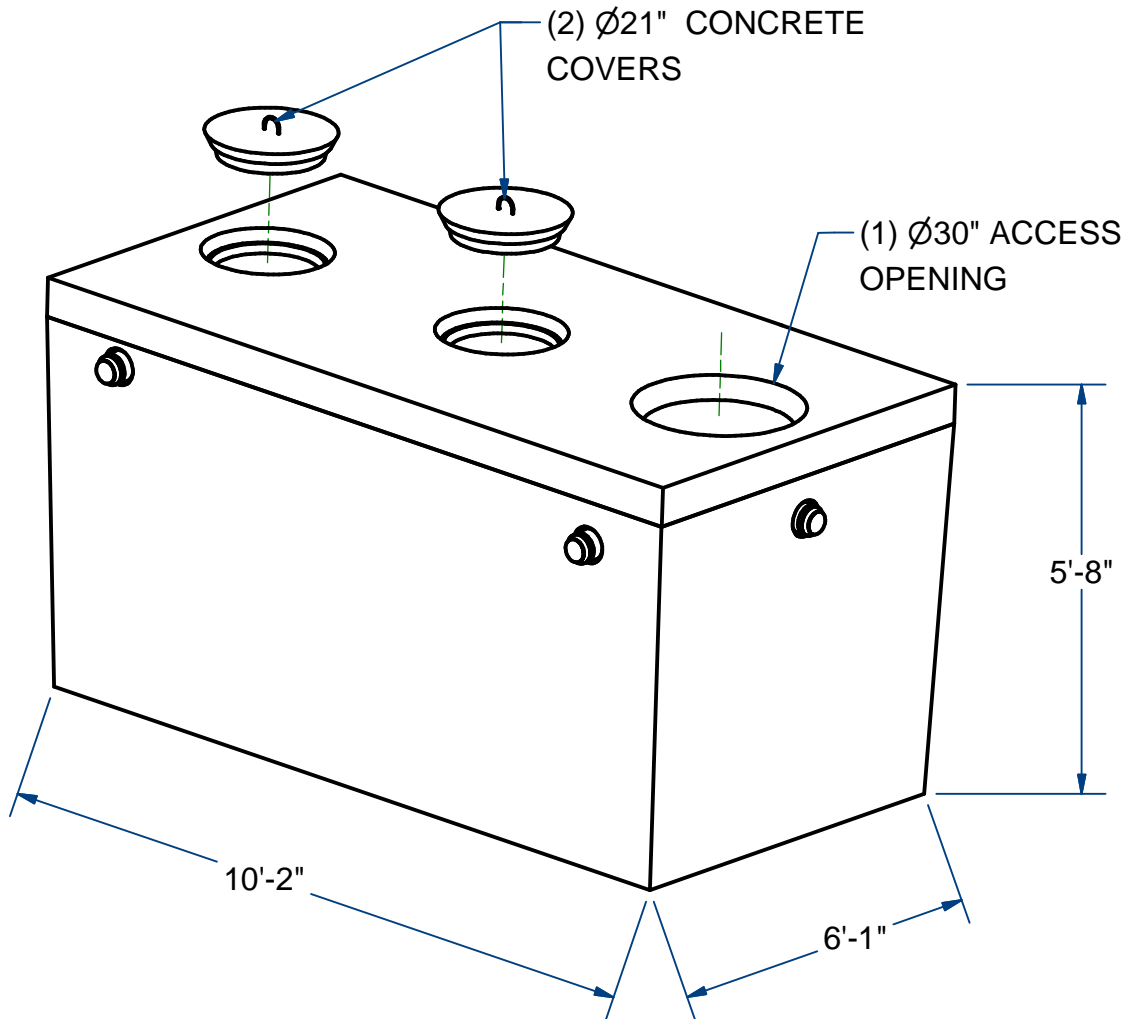


NOTES:

- 1.) SEAM SEALED WITH FLEXIBLE BUTYL RUBBER SEALANT.



**SEPTIC TANK - PUMP CHAMBER, MONO**

H10

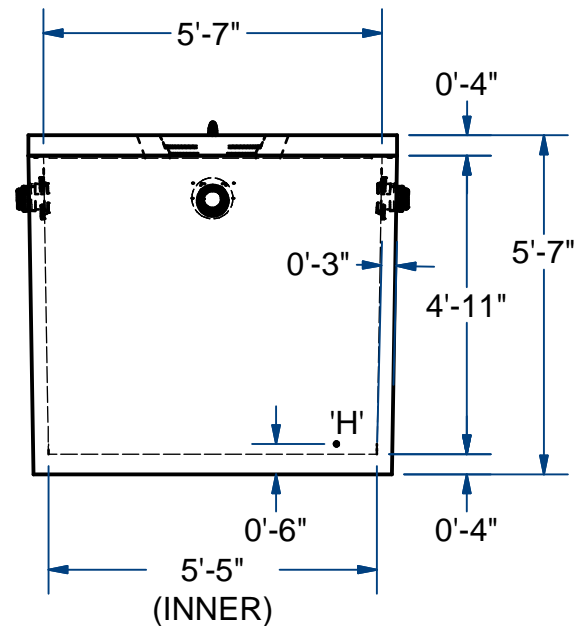
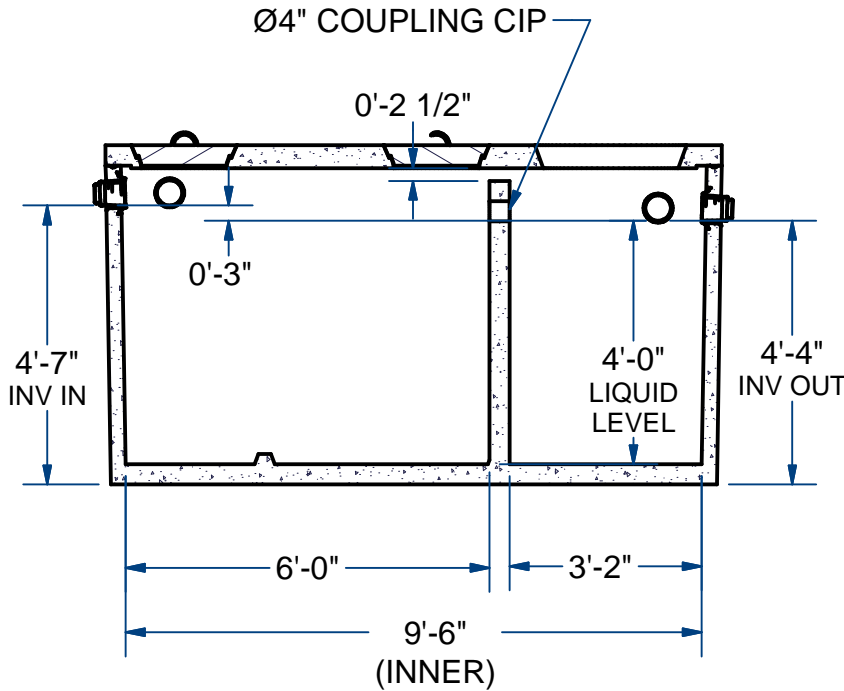
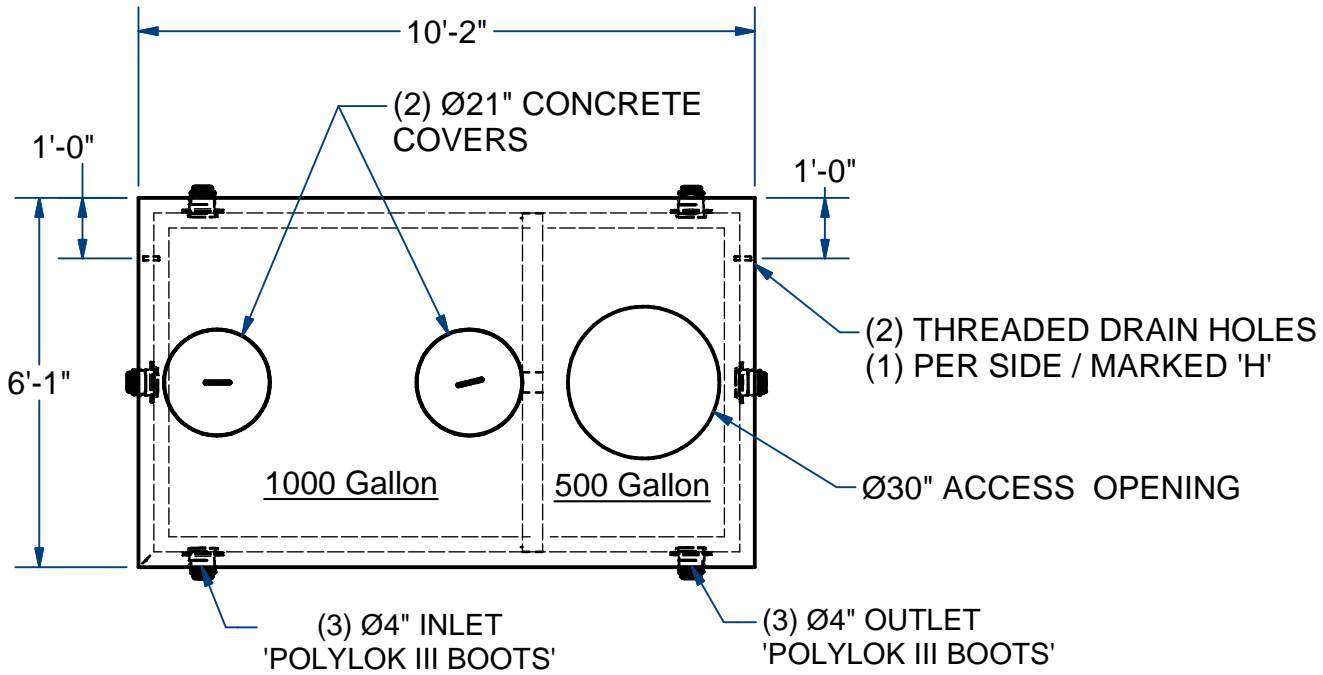
1500 Gallon

# ACME-SHOREY

PRECAST CONCRETE PRODUCTS

**NOTES:**

- 1.) SEAM SEALED WITH FLEXIBLE BUTYL RUBBER SEALANT.



**NAME: SEPTIC TANK-PUMP CHAMBER, 1500G, MONO H-10**

**ITEM# STPC15M30H**

Concrete Minimum Strength: 4,000 p.s.i. at 28 days  
 Steel Reinforcement: ASTM A615, Grade 60  
 Design Loading: standard units - AASHTO - H10

TOP 3,250 Lbs  
 BOTTOM 10,750 Lbs

H

DATE: 3-23-2023

Ch 3

Pg 1.2

Sht 2 of 2