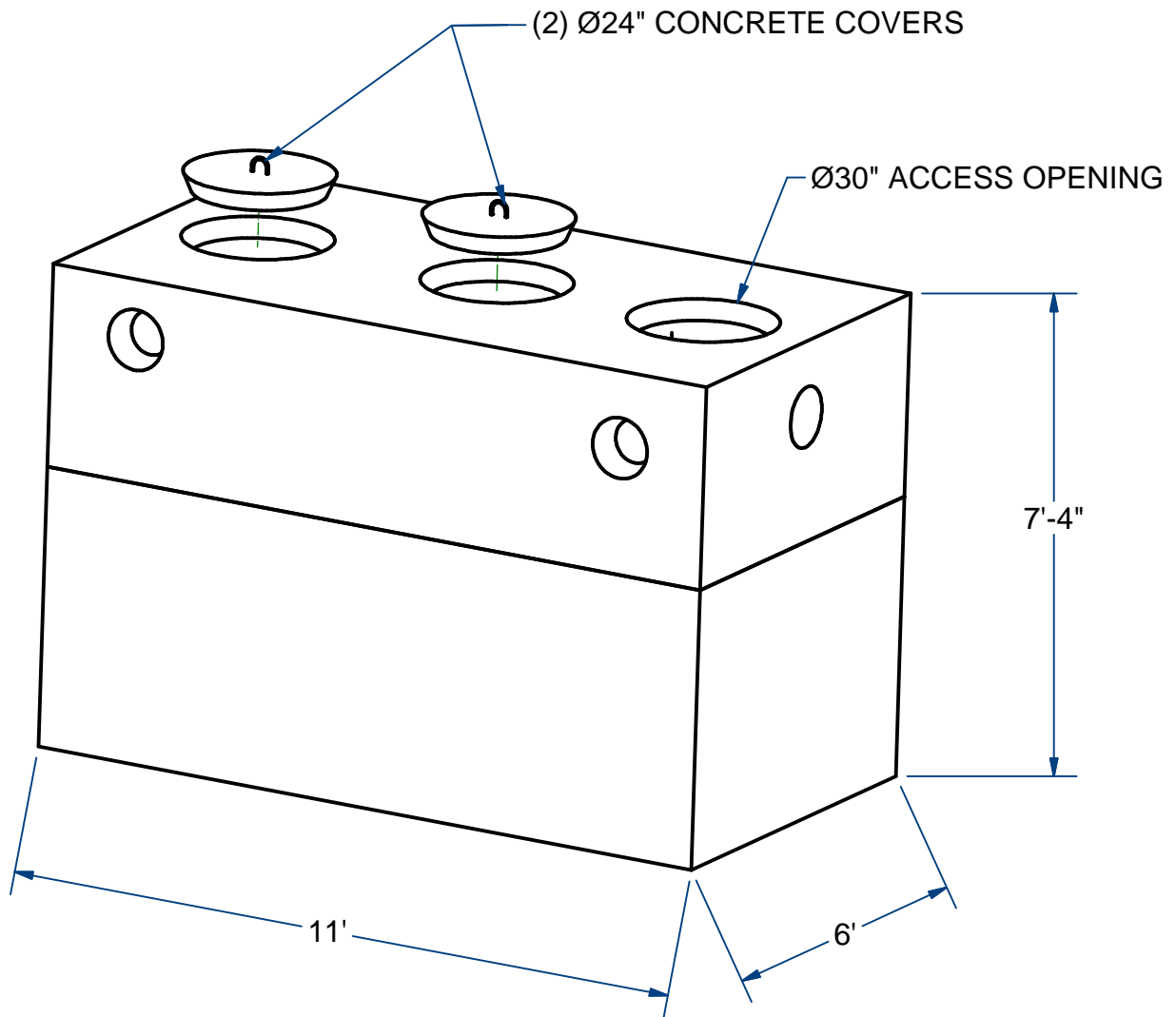


NOTES:

- 1.) SEAM SEALED WITH FLEXIBLE BUTYL RUBBER SEALANT.



**SEPTIC TANK - PUMP CHAMBER**

H20

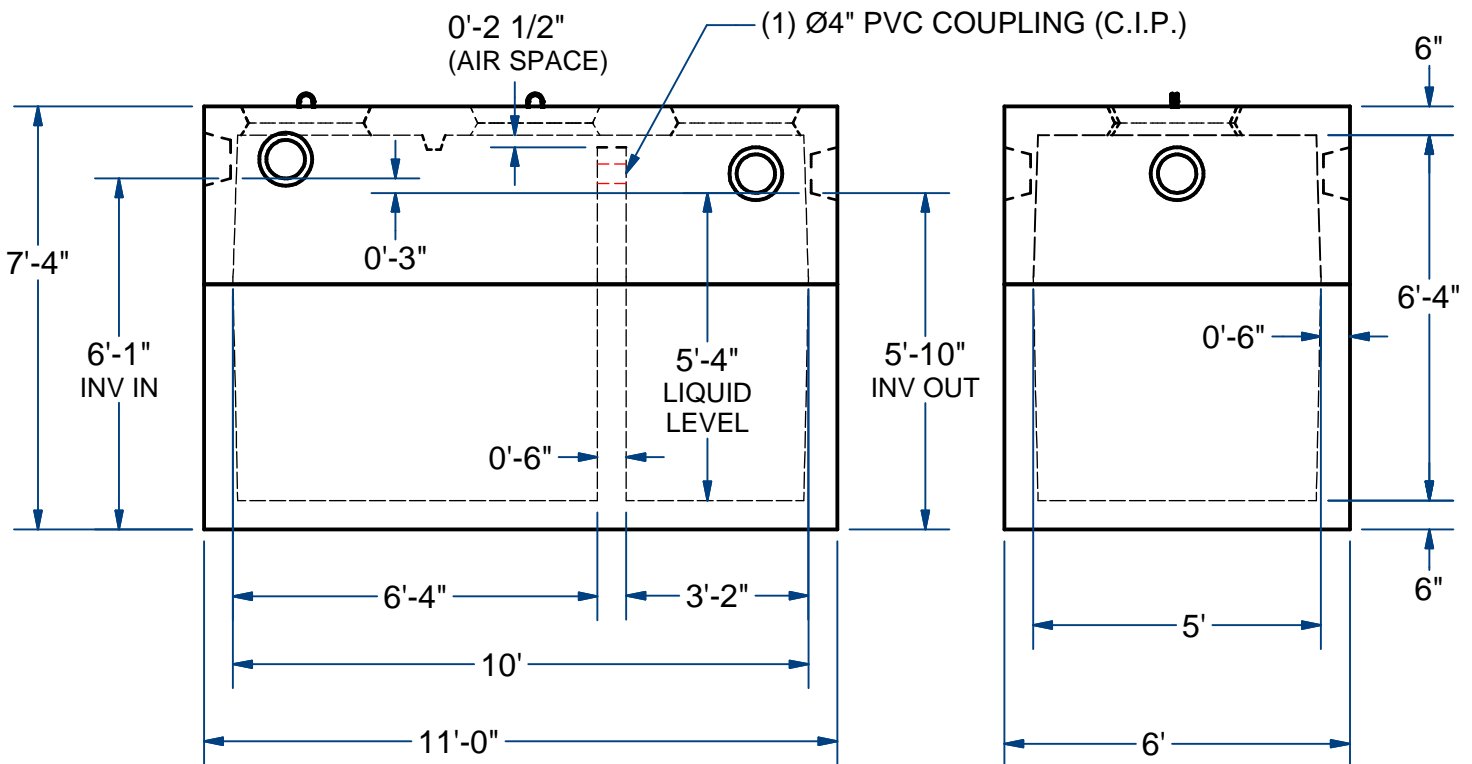
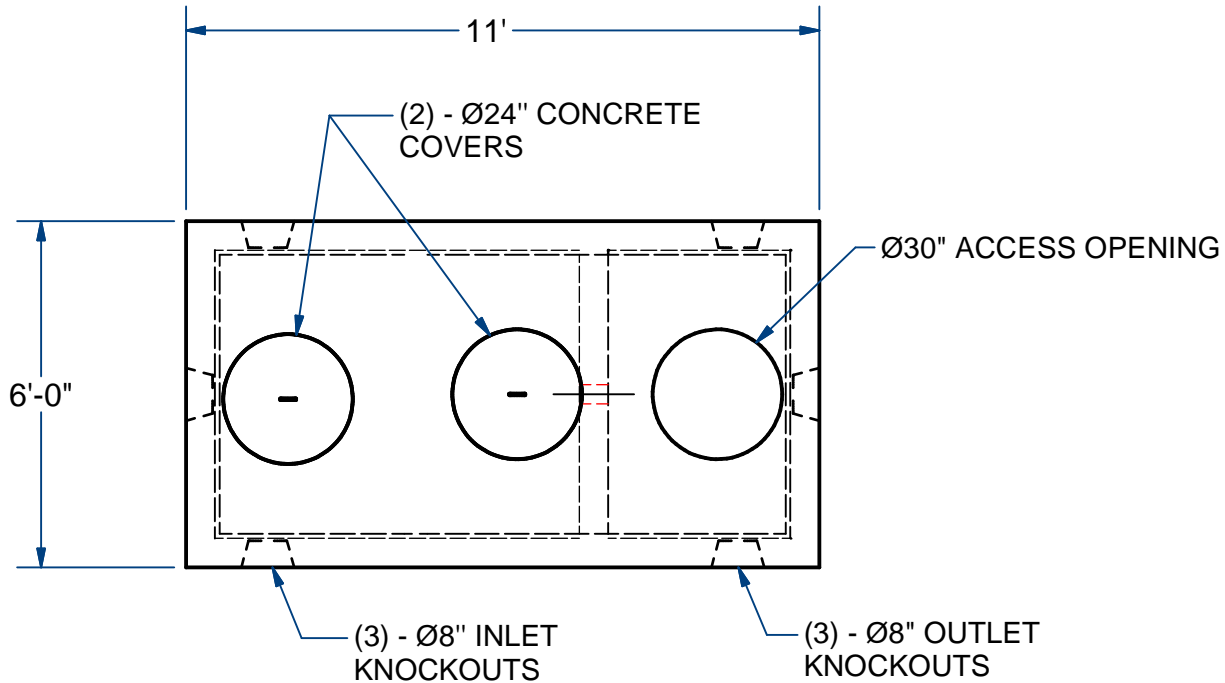
2,000 Gallon

# ACME-SHOREY

PRECAST CONCRETE PRODUCTS

**NOTES:**

- 1.) SEAM SEALED WITH FLEXIBLE BUTYL RUBBER SEALANT.



**NAME: SEPTIC TANK-PUMP CHAMBER ,2000 Gallon H-20**

**ITEM# STPC20230**

Concrete Minimum Strength: 5,000 p.s.i. at 28 days  
 Steel Reinforcement: ASTM A615, Grade 60  
 Design Loading: standard units - AASHTO - H20

TOP 11,500 Lbs  
 BOTTOM 17,000 Lbs

H

DATE: 3-13-2019

Ch 10 Pg 4.2 Sht 2 of 2