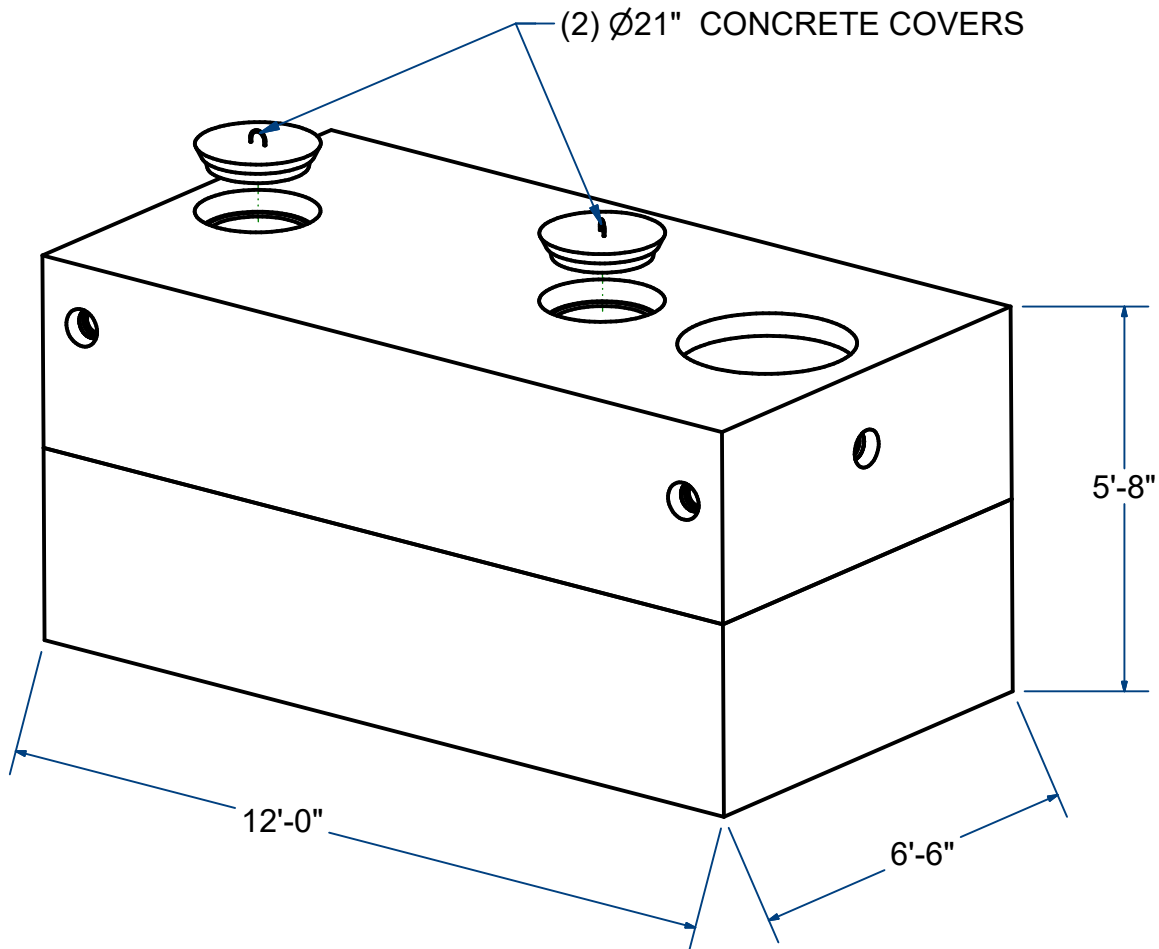


NOTES:

- 1.) SEAM SEALED WITH FLEXIBLE BUTYL RUBBER SEALANT.



**SEPTIC TANK-PUMP CHAMBER**

H10

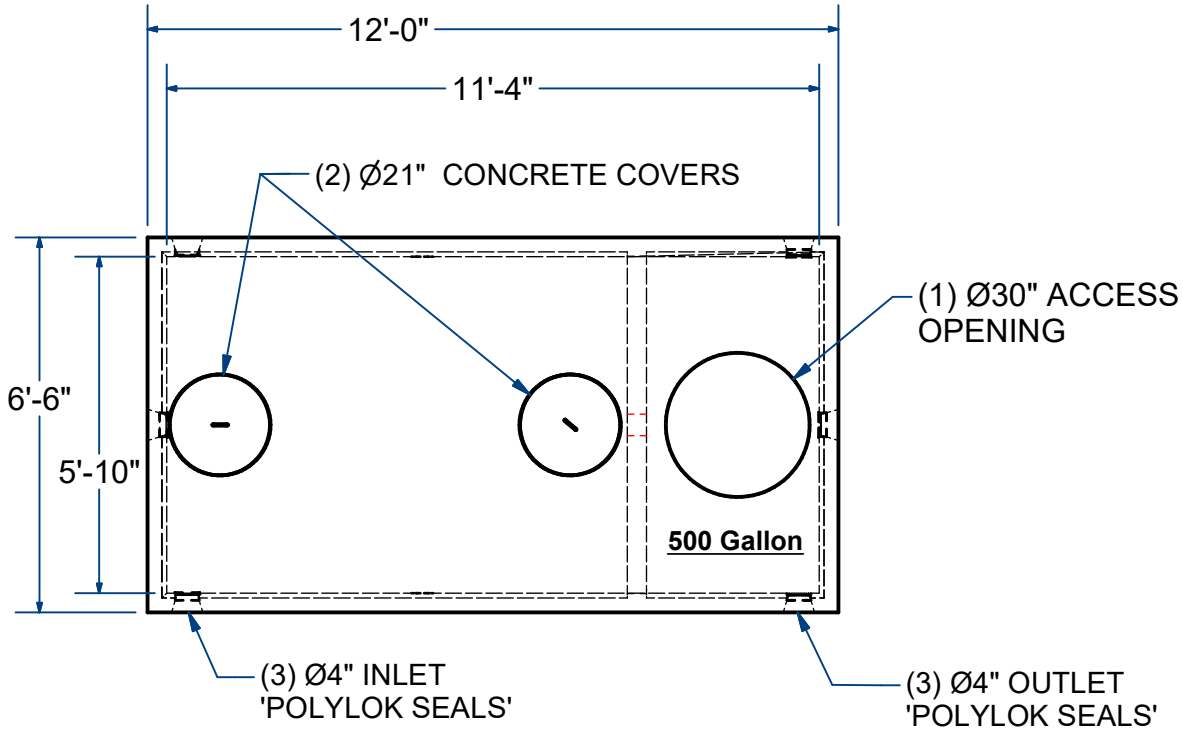
2,000 Gallon

# ACME-SHOREY

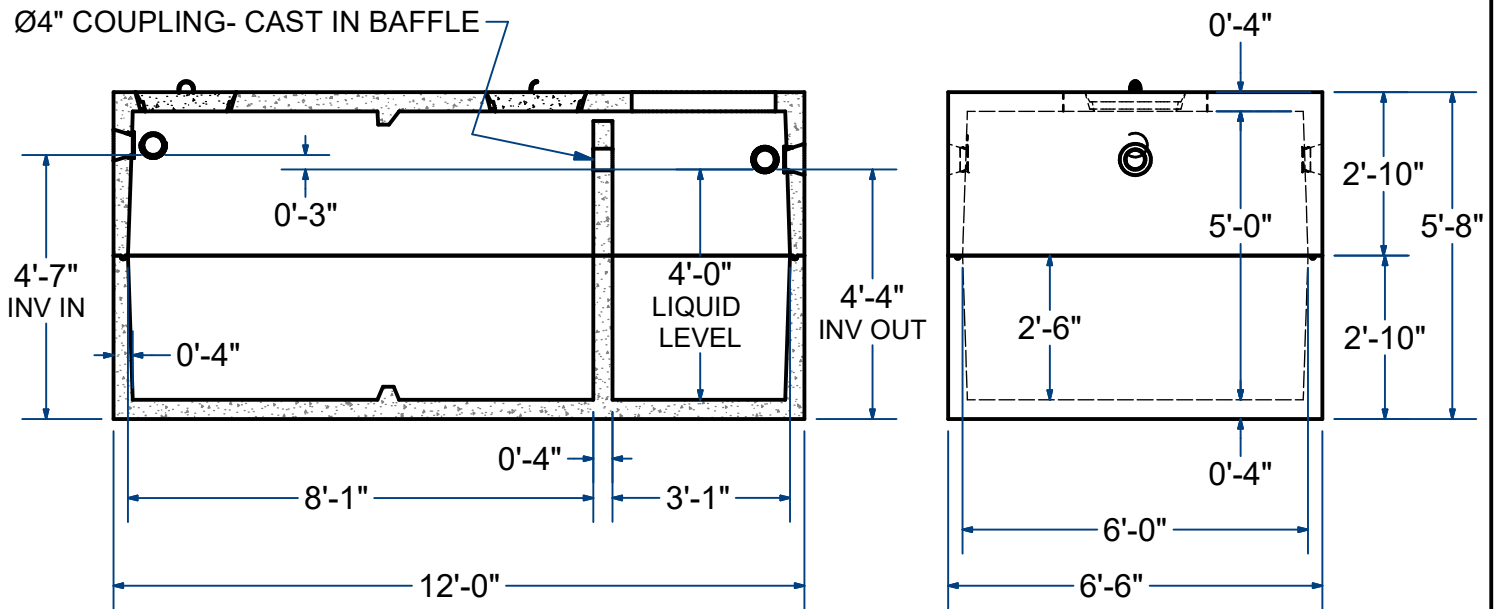
PRECAST CONCRETE PRODUCTS

**NOTES:**

- 1.) SEAM SEALED WITH FLEXIBLE BUTYL RUBBER SEALANT.



Ø4" COUPLING- CAST IN BAFFLE



**NAME: SEPTIC TANK-PUMP CHAMBER, 2000Gal H-10**

**ITEM# STPC2030H**

Concrete Minimum Strength: 4,000 p.s.i. at 28 days  
 Steel Reinforcement: ASTM A615, Grade 60  
 Design Loading: standard units - AASHTO - H10

TOP 10,000 Lbs  
 BOTTOM 10,000 Lbs

H

DATE: 1-19-26

Ch 3 Pg 3.2 Sht 2 of 2