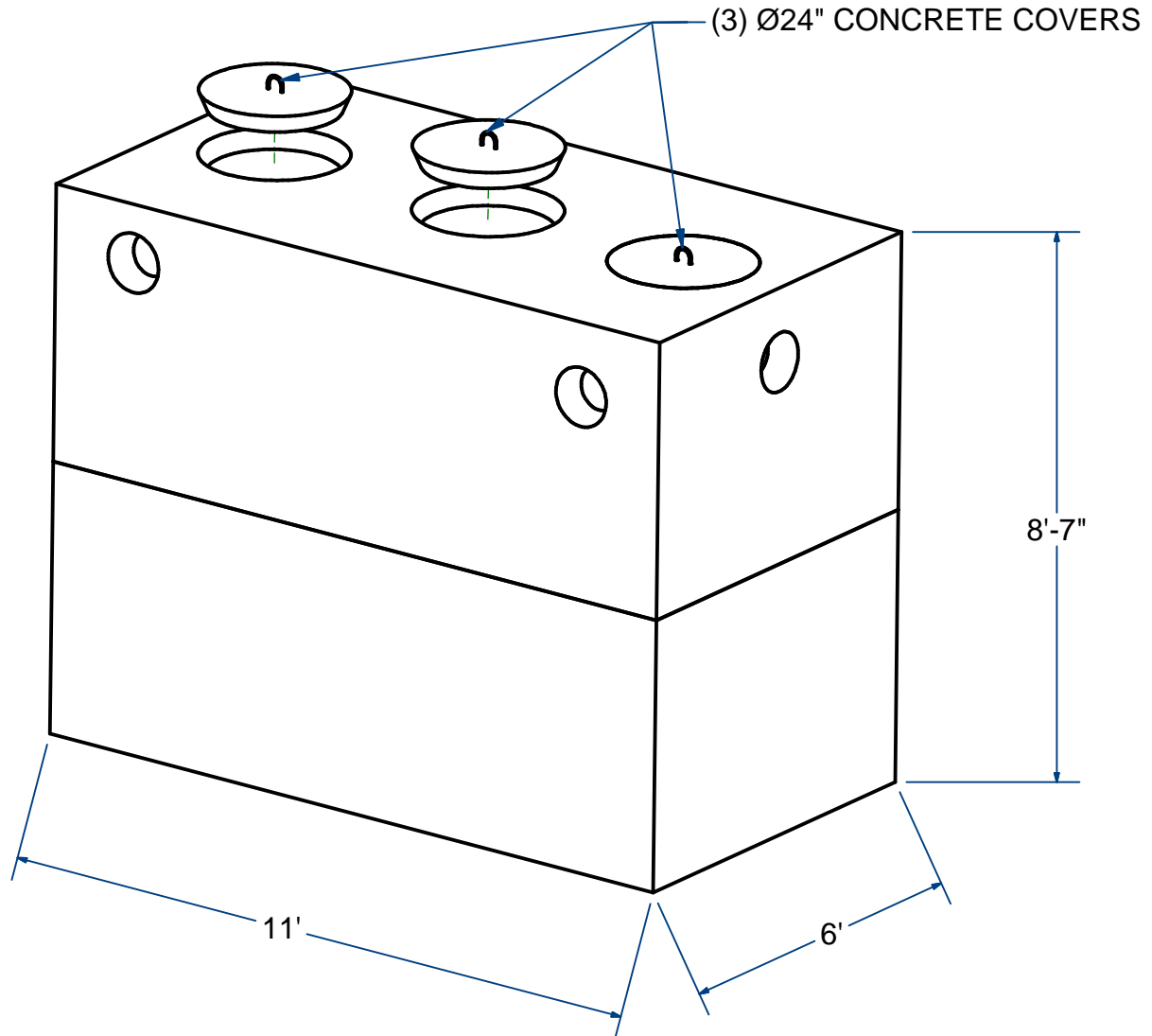


NOTES:

- 1.) SEAM SEALED WITH FLEXIBLE BUTYL RUBBER SEALANT.



**SEPTIC TANK-PUMP CHAMBER**

H20

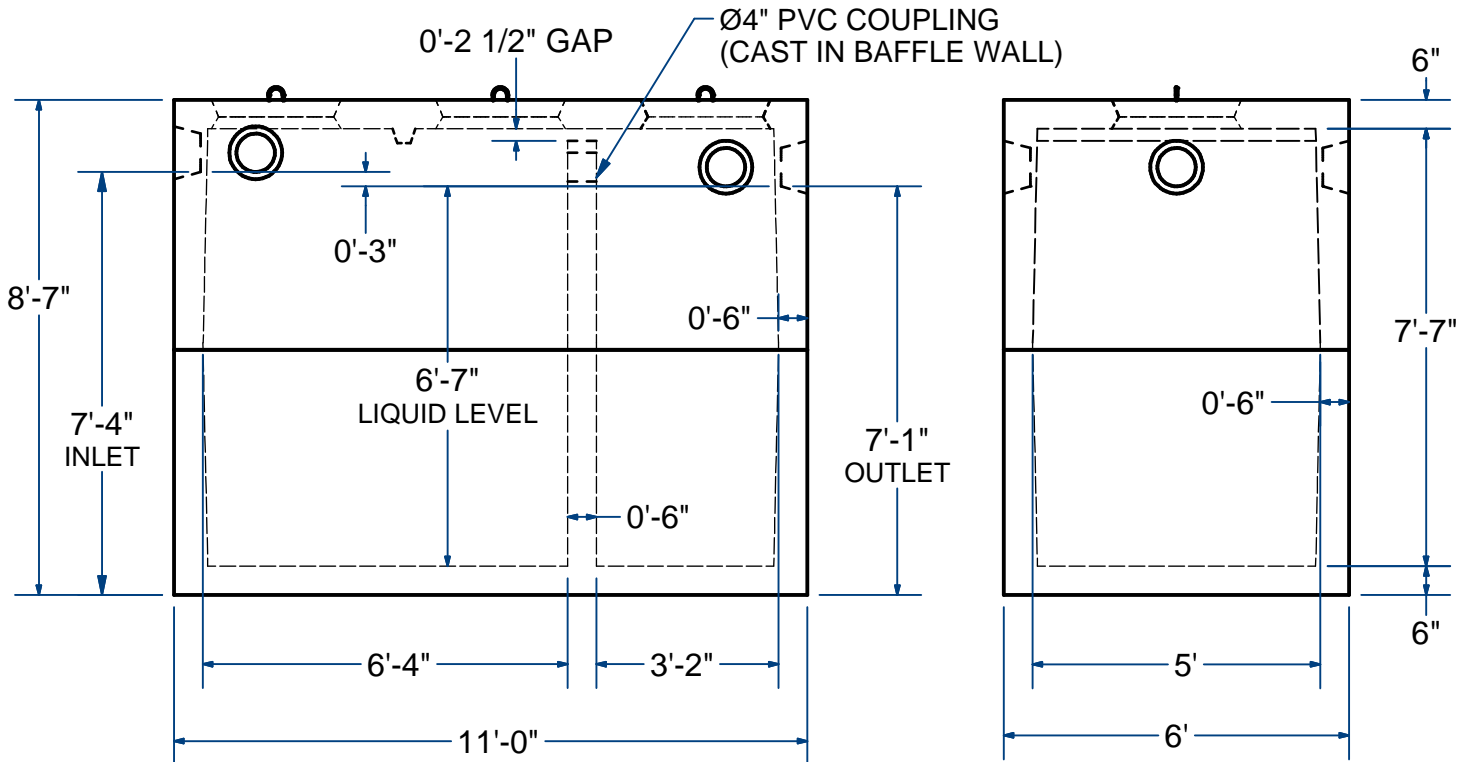
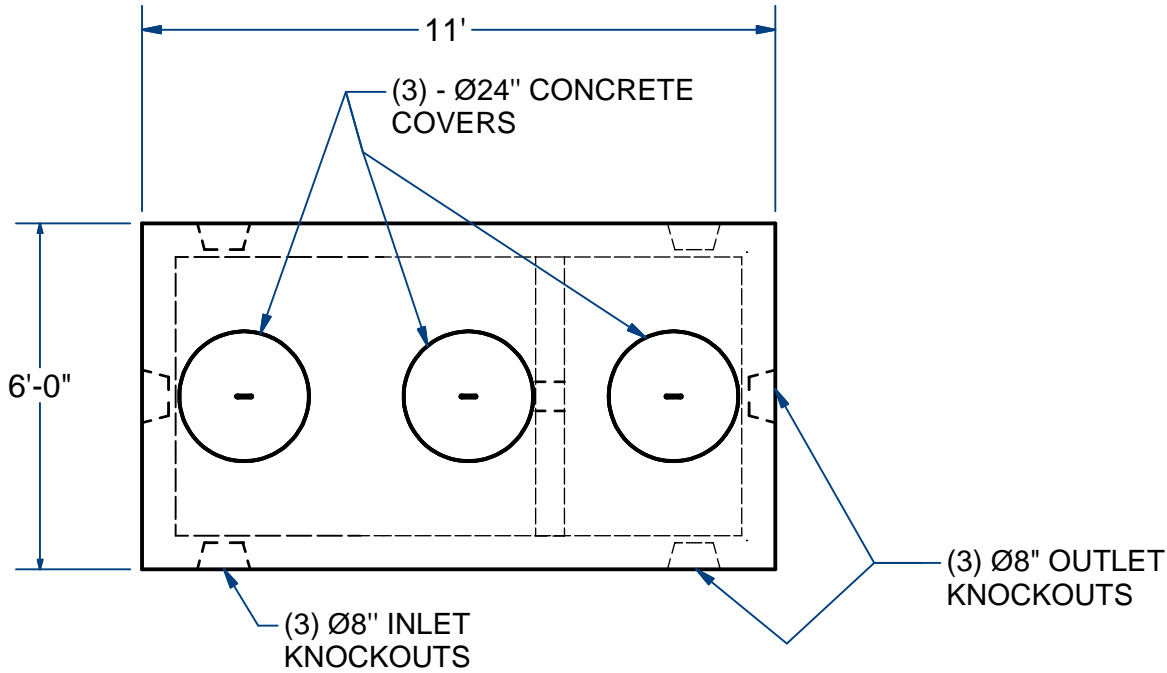
2500 Gallon

# ACME-SHOREY

PRECAST CONCRETE PRODUCTS

**NOTES:**

- 1.) SEAM SEALED WITH FLEXIBLE BUTYL RUBBER SEALANT.



**NAME: SEPTIC TANK-PUMP CHAMBER, 2500 Gallon**

**H-20**

**ITEM# STPC252**

Concrete Minimum Strength: 5,000 p.s.i. at 28 days  
 Steel Reinforcement: ASTM A615, Grade 60  
 Design Loading: standard units - AASHTO - H20

TOP 16,000 Lbs  
 BOTTOM 16,500 Lbs

H

DATE: 3-12-2019

Ch 10 Pg 6.1 Sht 2 of 2