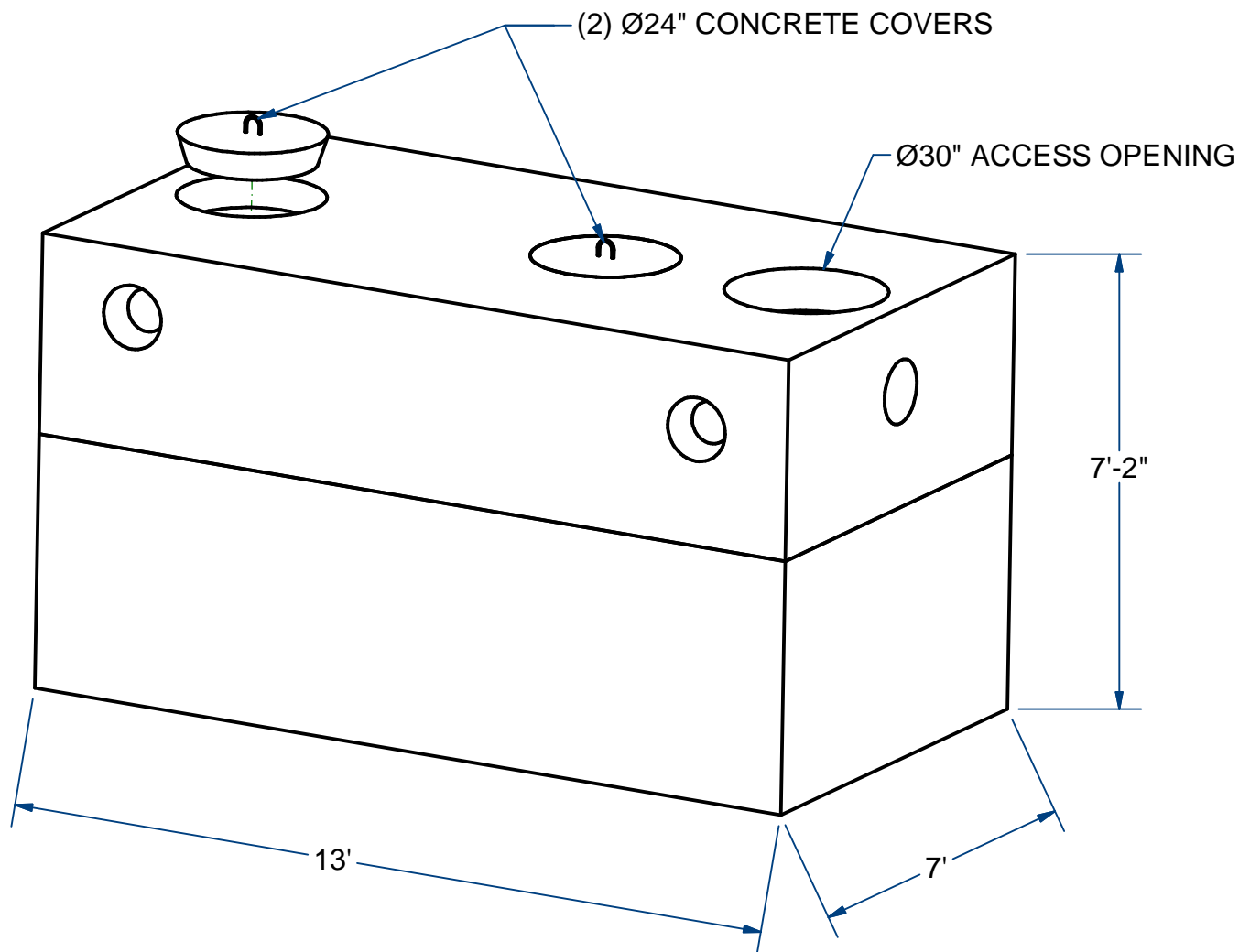


NOTES:

- 1.) SEAM SEALED WITH FLEXIBLE BUTYL RUBBER SEALANT.
- 2.) COMPARTMENT VOLUME (1571 / 1010 Gallons).



## SEPTIC TANK PUMP CHAMBER LOW PROFILE

H20

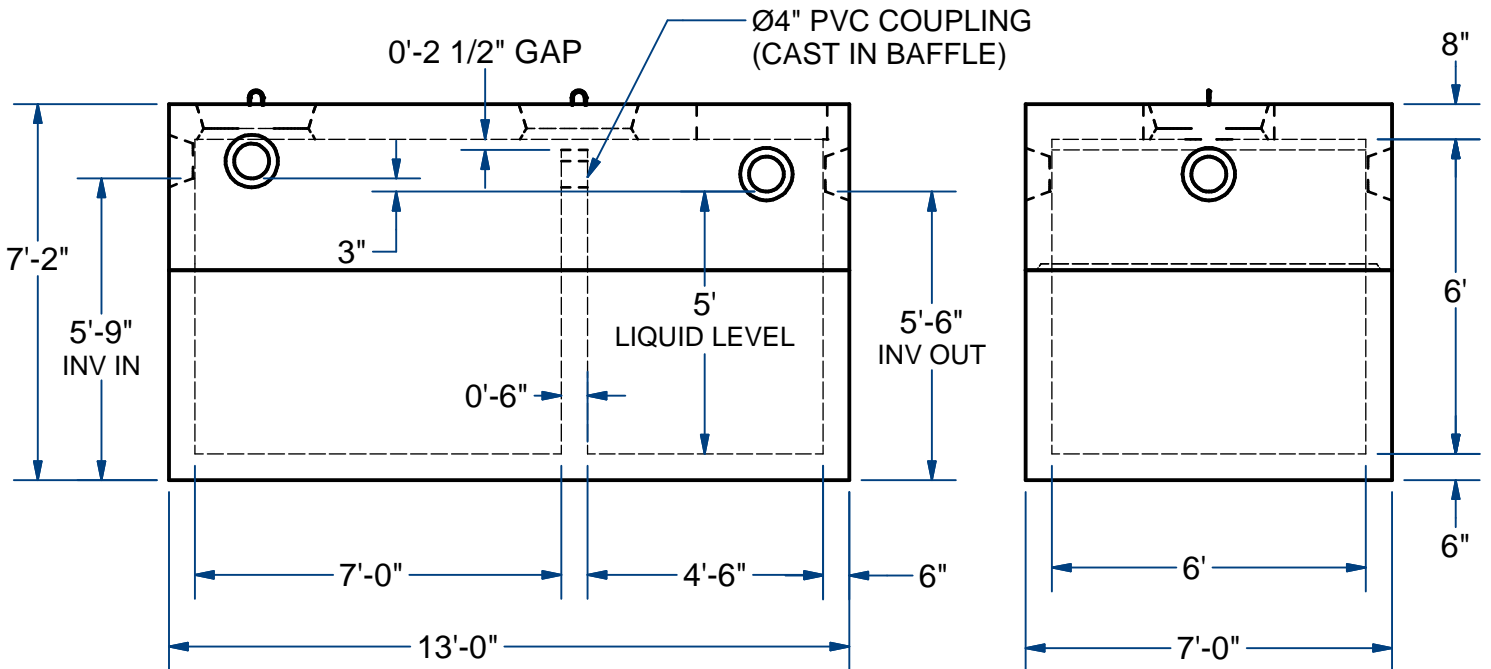
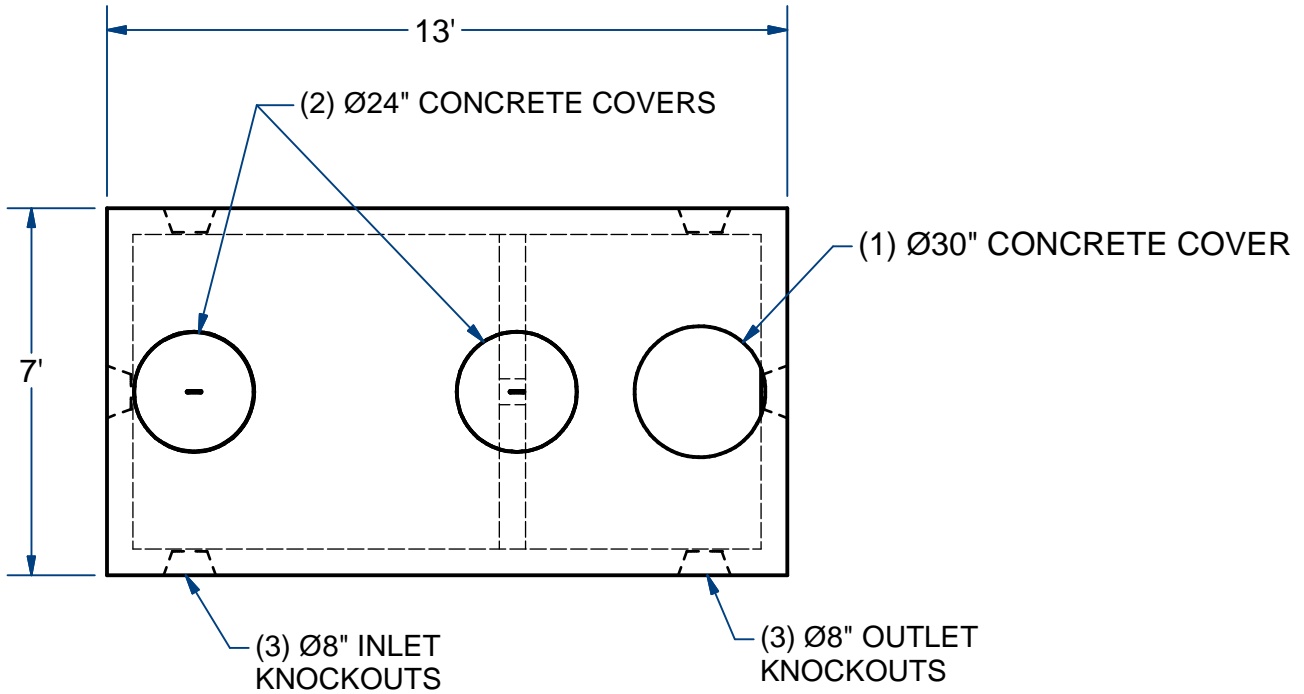
2,500 Gallon

# ACME-SHOREY

PRECAST CONCRETE PRODUCTS

**NOTES:**

- 1.) SEAM SEALED WITH FLEXIBLE BUTYL RUBBER SEALANT.
- 2.) COMPARTMENT VOLUME (1571 / 1010 Gallons).



**NAME:** SEPTIC TANK-PUMP CHAMBER, 2500 Gallon (LOW PROFILE)

**H-20**

**ITEM#STPC252LP30**

Concrete Minimum Strength: 5,000 p.s.i. at 28 days  
 Steel Reinforcement: ASTM A615, Grade 60  
 Design Loading: standard units - AASHTO - H20

TOP 17,000 Lbs  
 BOTTOM 19,750 Lbs

**C**

DATE: 11-4-2019

Ch 10 Pg 5.2 Sht 2 of 2