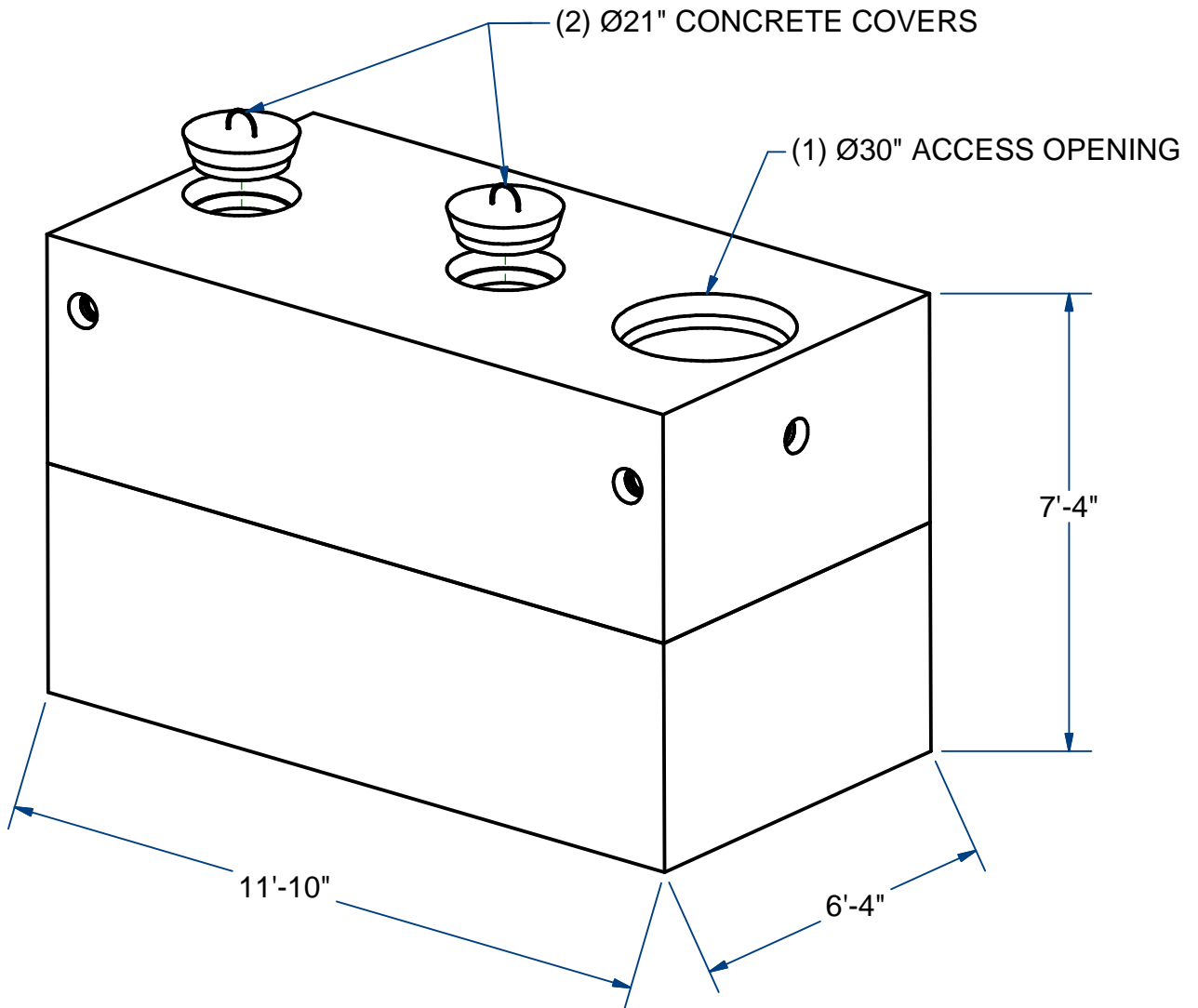


NOTES:

- 1.) SEAM SEALED WITH FLEXIBLE BUTYL RUBBER SEALANT.



SEPTIC TANK - PUMP CHAMBER

H10

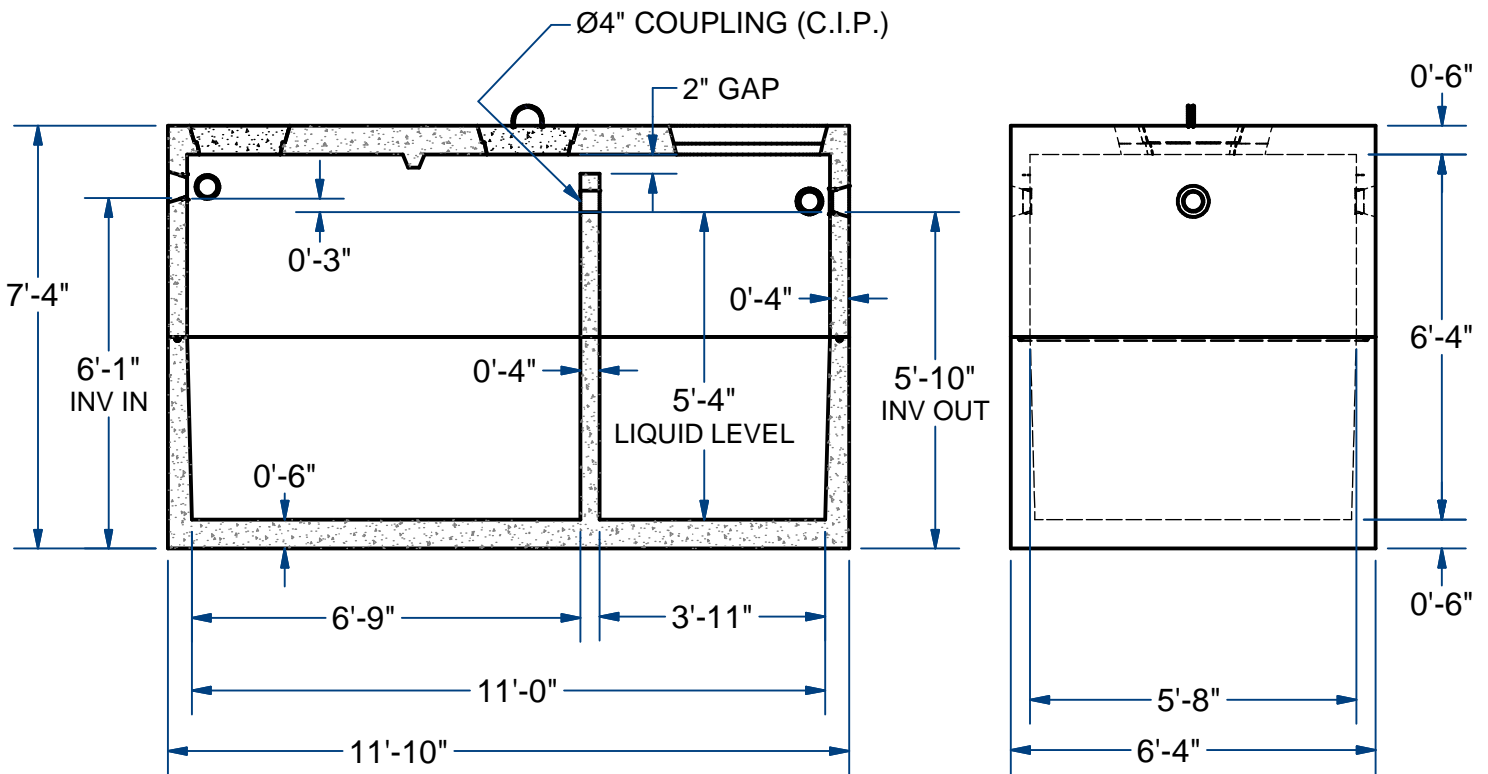
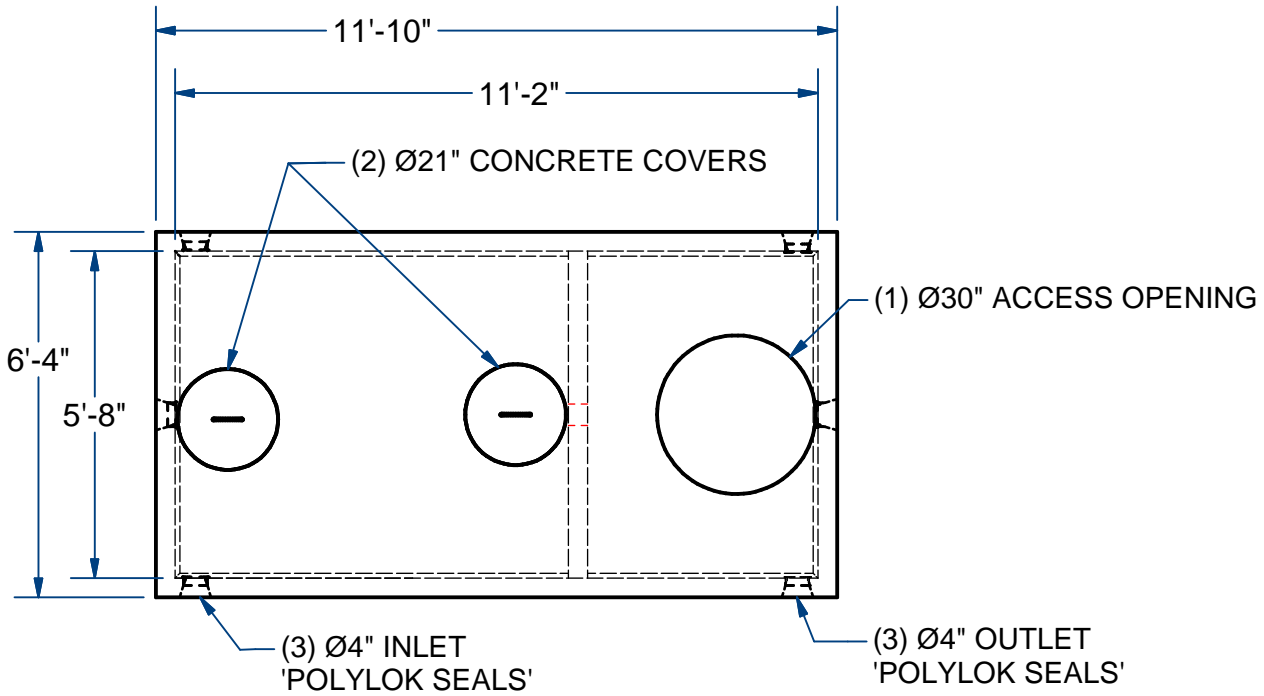
2,500 GALLON

ACME-SHOREY

PRECAST CONCRETE PRODUCTS

NOTES:

- 1.) SEAM SEALED WITH FLEXIBLE BUTYL RUBBER SEALANT.



NAME: SEPTIC TANK -PUMP CHAMBER, 2500G. H-10

ITEM# STPC2530

Concrete Minimum Strength: 4,000 p.s.i. at 28 days
 Steel Reinforcement: ASTM A615, Grade 60
 Design Loading: standard units - AASHTO - H10

TOP 11,500 Lbs
 BOTTOM 12,750 Lbs

H

DATE: 3-14-2019

Ch 3 Pg 6.2 Sht 2 of 2