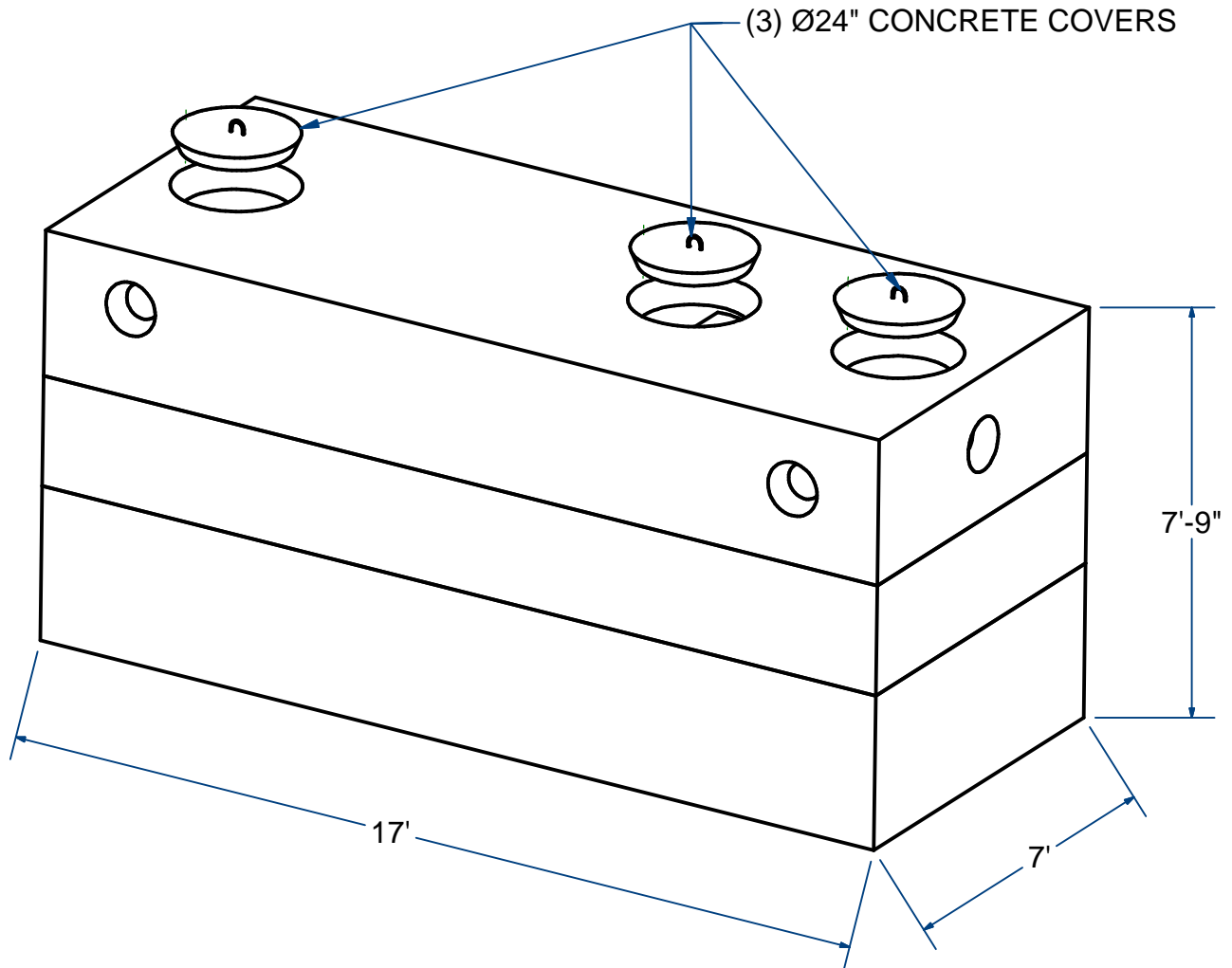


NOTES:

- 1.) SEAM SEALED WITH FLEXIBLE BUTYL RUBBER SEALANT.



2-COMPARTMENT TANK ,
7' X 17'
4,000 Gallon
H2O

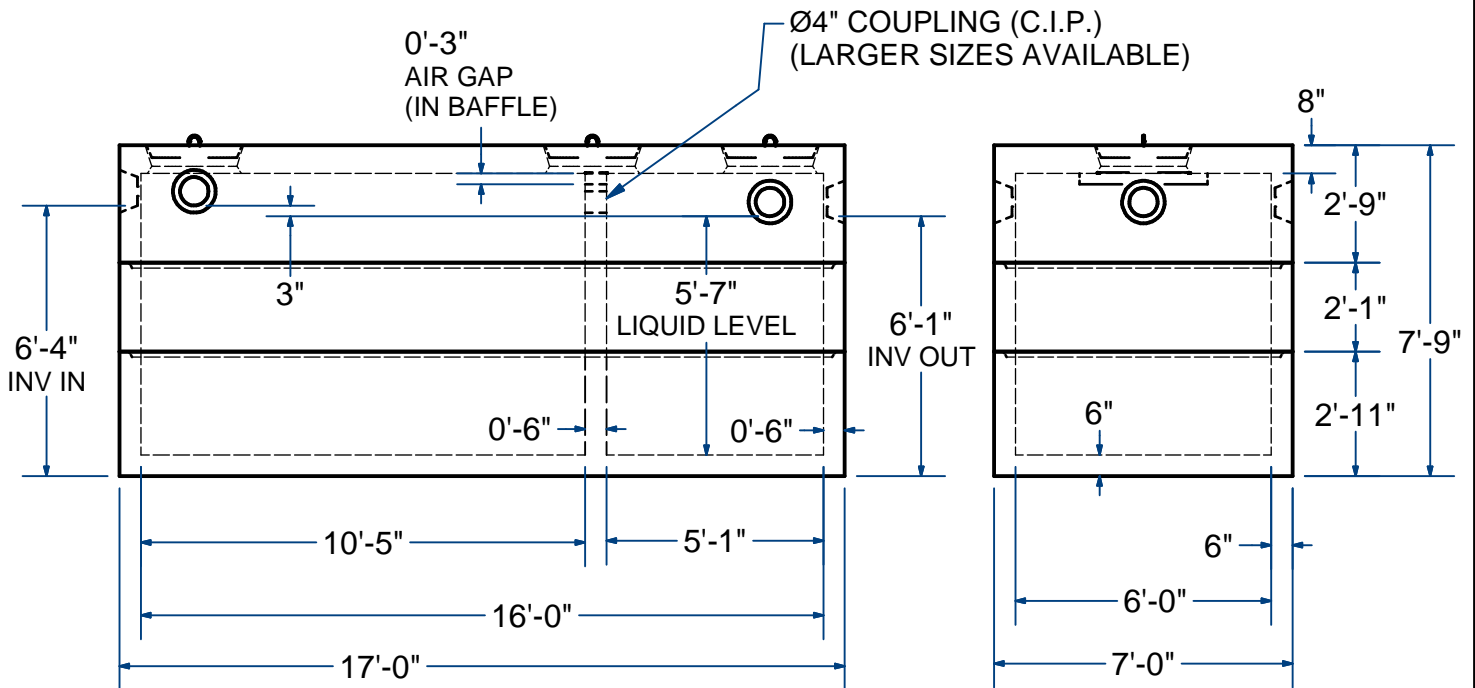
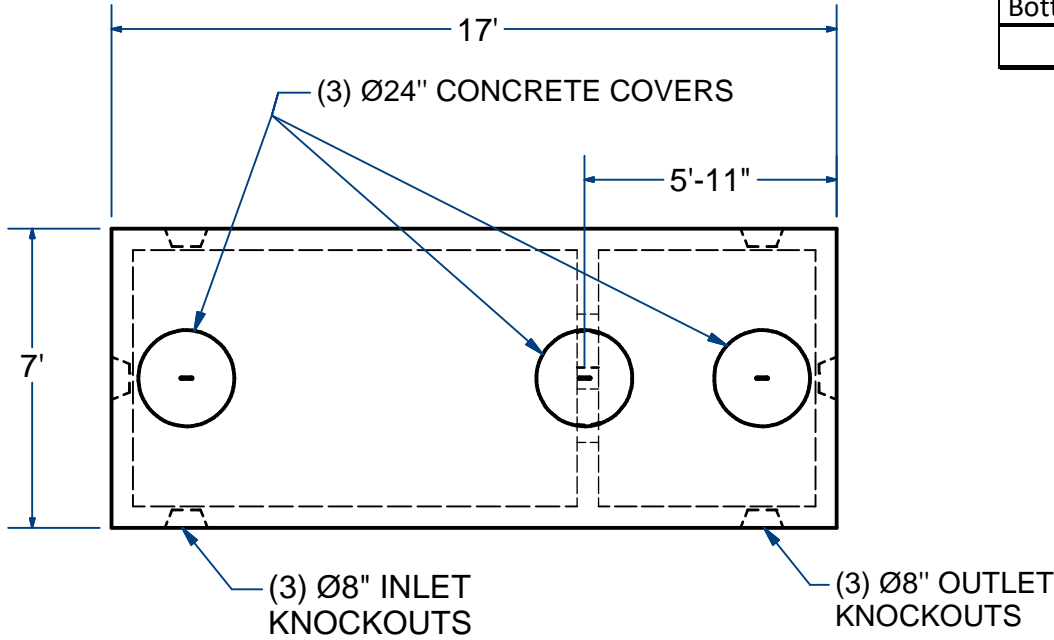
ACME-SHOREY

PRECAST CONCRETE PRODUCTS

NOTES:

1.) SEAM SEALED WITH FLEXIBLE BUTYL RUBBER SEALANT.

Each	Size	Ht	wt.(Lbs)
Top	500G	33"	19250
Sleeve	1500G	25"	8,500
Bottom	2000G	35"	18,500
			46250



NAME: 2-COMPARTMENT TANK 7'X17', 4,000 Gallon H-20 **ITEM# STPC740C**

Concrete Minimum Strength: 5,000 p.s.i. at 28 days
 Steel Reinforcement: ASTM A615, Grade 60
 Design Loading: standard units - AASHTO - H20

WEIGHT 46,250 Lbs

C

DATE: 12-10-21

Ch 10 Pg 15.3 Sht 2 of 2