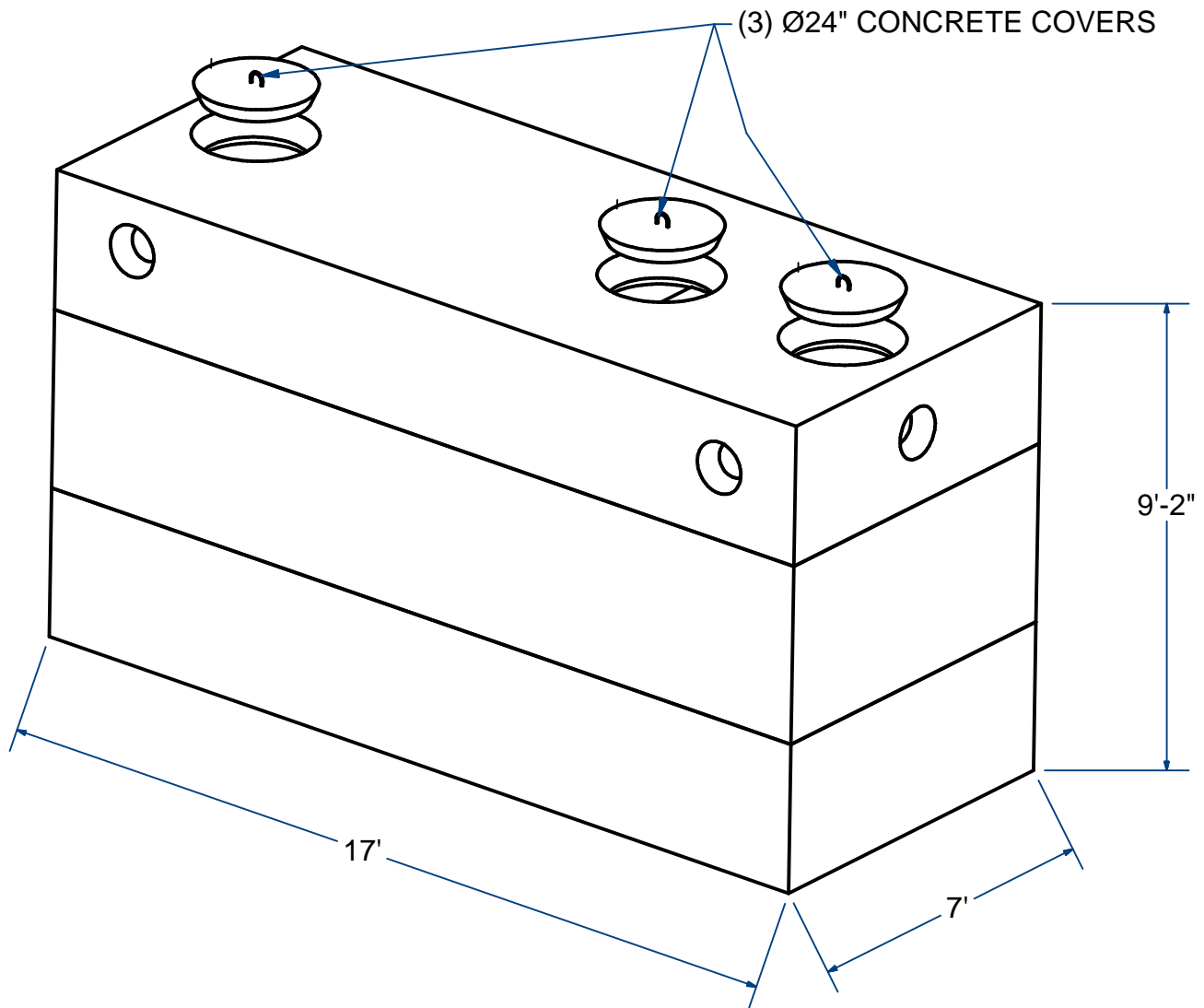


NOTES:

- 1.) SEAM SEALED WITH FLEXIBLE BUTYL RUBBER SEALANT.



2-COMPARTMENT TANK

7' X 17'

5,000 Gallon

H2O

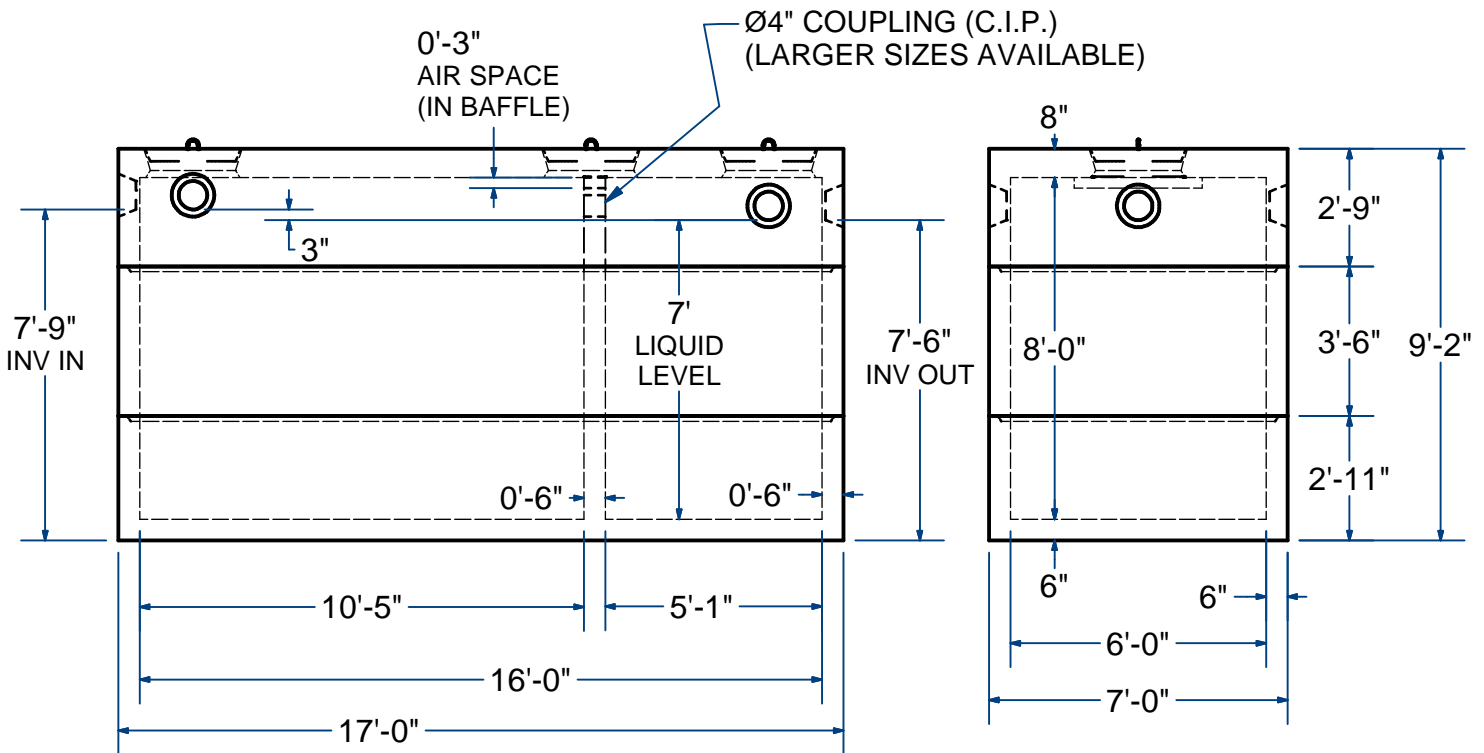
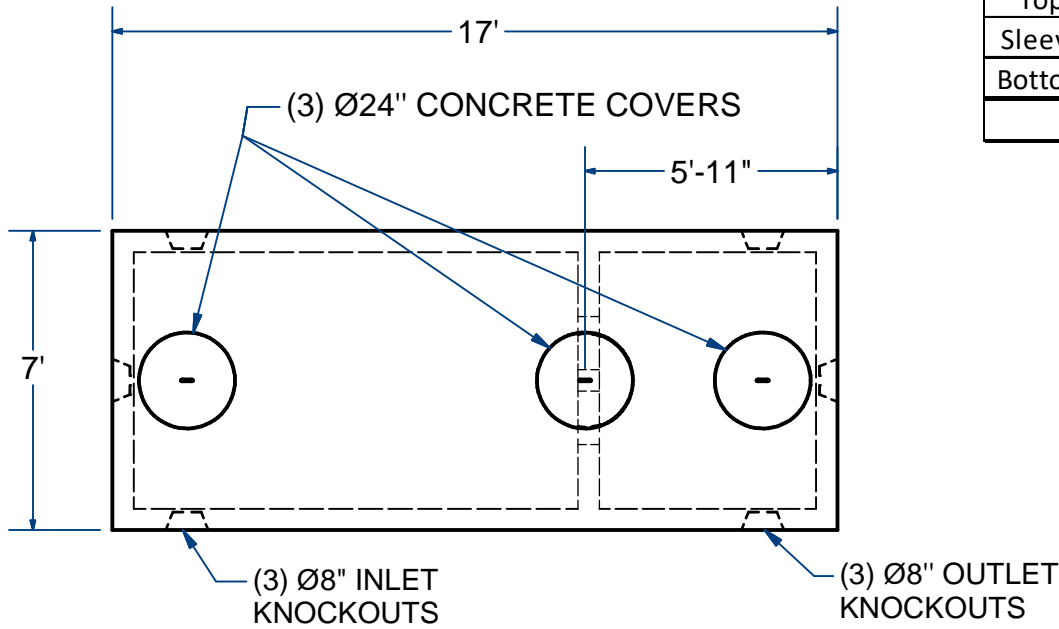
ACME-SHOREY

PRECAST CONCRETE PRODUCTS

NOTES:

1.) SEAM SEALED WITH FLEXIBLE BUTYL RUBBER SEALANT.

Each	Size	Ht	wt.(Lbs)
Top	500G	33"	19,250
Sleeve	2500G	42"	14,000
Bottom	2000G	35"	18,500
			51750



NAME: 2-COMPARTMENT TANK 7'X17', 5,000 Gallon H-20 ITEM# STPC750C

Concrete Minimum Strength: 5,000 p.s.i. at 28 days
 Steel Reinforcement: ASTM A615, Grade 60
 Design Loading: standard units - AASHTO - H20

WEIGHT 51,750 Lbs

C

DATE: 12-10-21

Ch 10 Pg 15.5 Sht 2 of 2