

# ACME-SHOREY

PRECAST CONCRETE PRODUCTS

WWW.ACMESHOREY.COM

PHONE (508) 548-9607

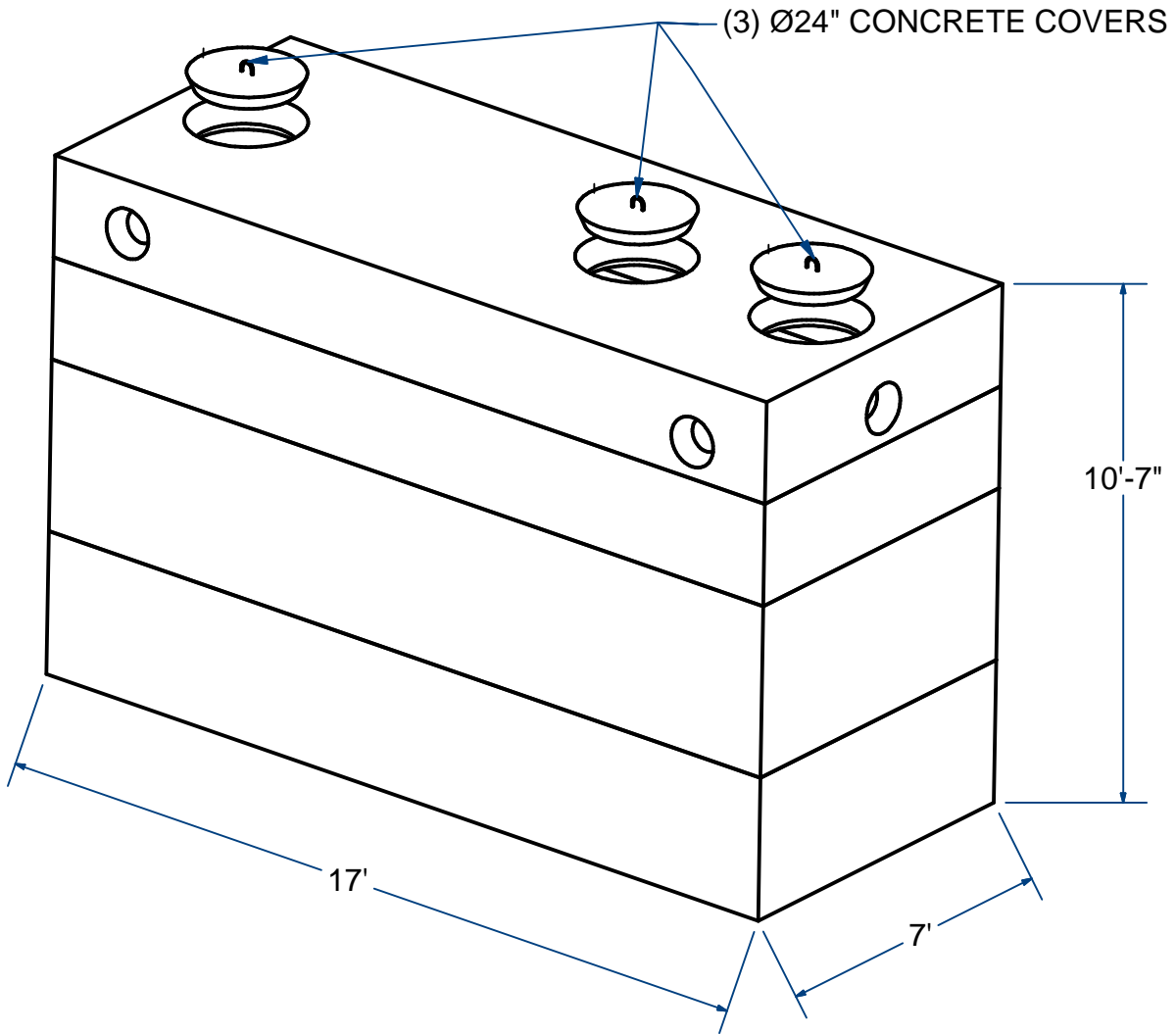
FAX (508) 548-1664

CARVER, MA  
334 TREMONT STREET

HARWICH, MA  
36 GREAT WESTERN ROAD

## NOTES:

- 1.) SEAM SEALED WITH FLEXIBLE BUTYL RUBBER SEALANT.



## 2-COMPARTMENT TANK

7' X 17'

6,000 Gallon

H2O

ITEM# STPC760C

Wt. 58,000 Lbs

10-15.7

Sht 1 of 2

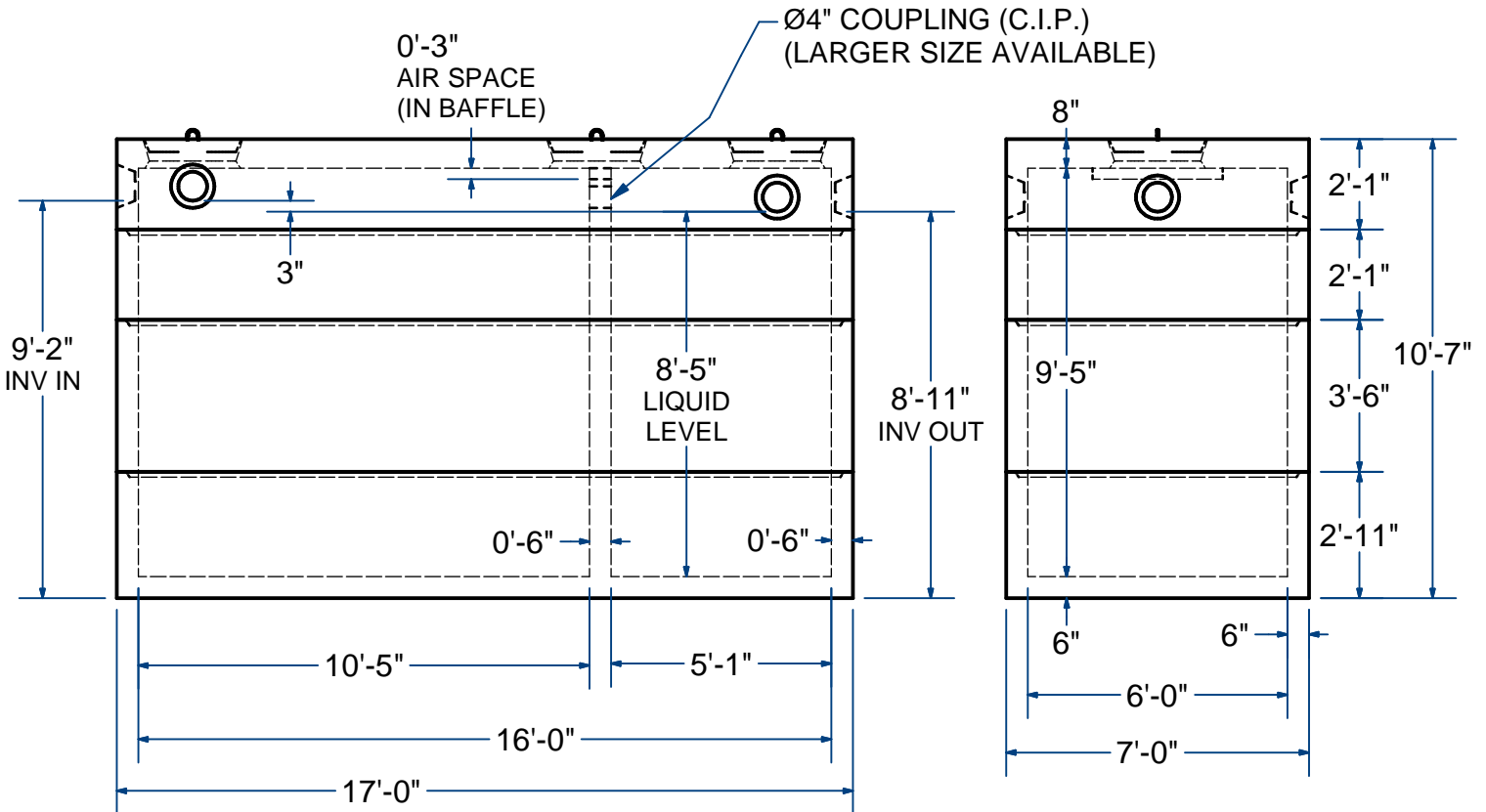
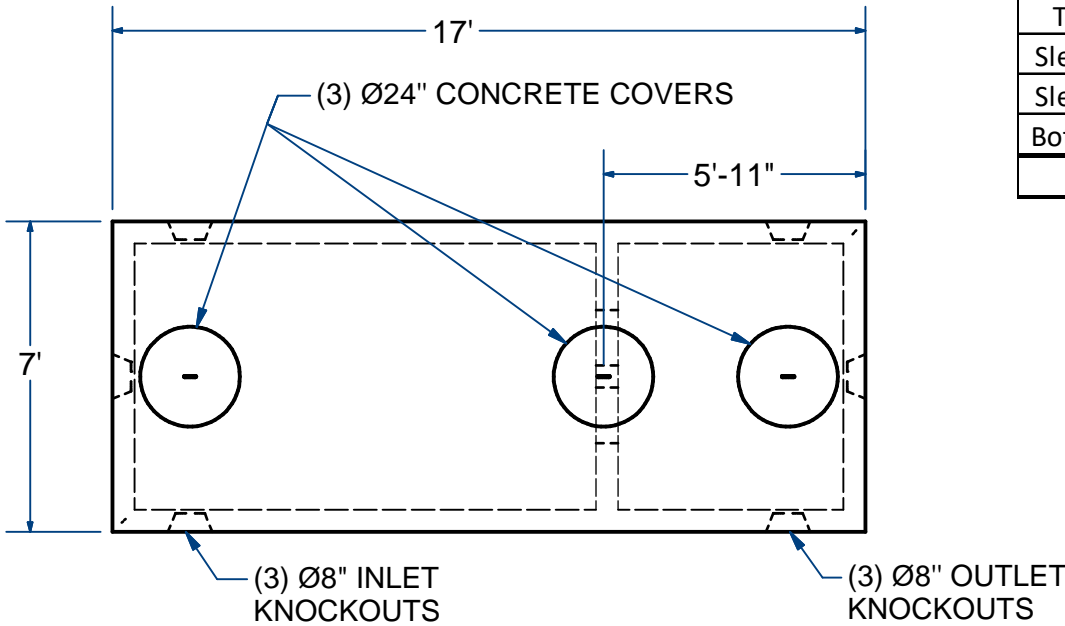
# ACME-SHOREY

PRECAST CONCRETE PRODUCTS

**NOTES:**

1.) SEAM SEALED WITH FLEXIBLE BUTYL RUBBER SEALANT.

Each	Size	Ht	wt.(Lbs)
Top	OG	25"	17,000
Sleeve	1500G	25"	8,500
Sleeve	2500G	42"	14,000
Bottom	2000G	35"	18,500
			58,000



**NAME: 2-COMPARTMENT TANK 7'X17', 6,000 Gallon H-20** **ITEM# STPC760C**

Concrete Minimum Strength: 5,000 p.s.i. at 28 days  
 Steel Reinforcement: ASTM A615, Grade 60  
 Design Loading: standard units - AASHTO - H20

WEIGHT 58,000 Lbs

C

DATE: 12-13-21

Ch 10 Pg 15.7 Sht 2 of 2