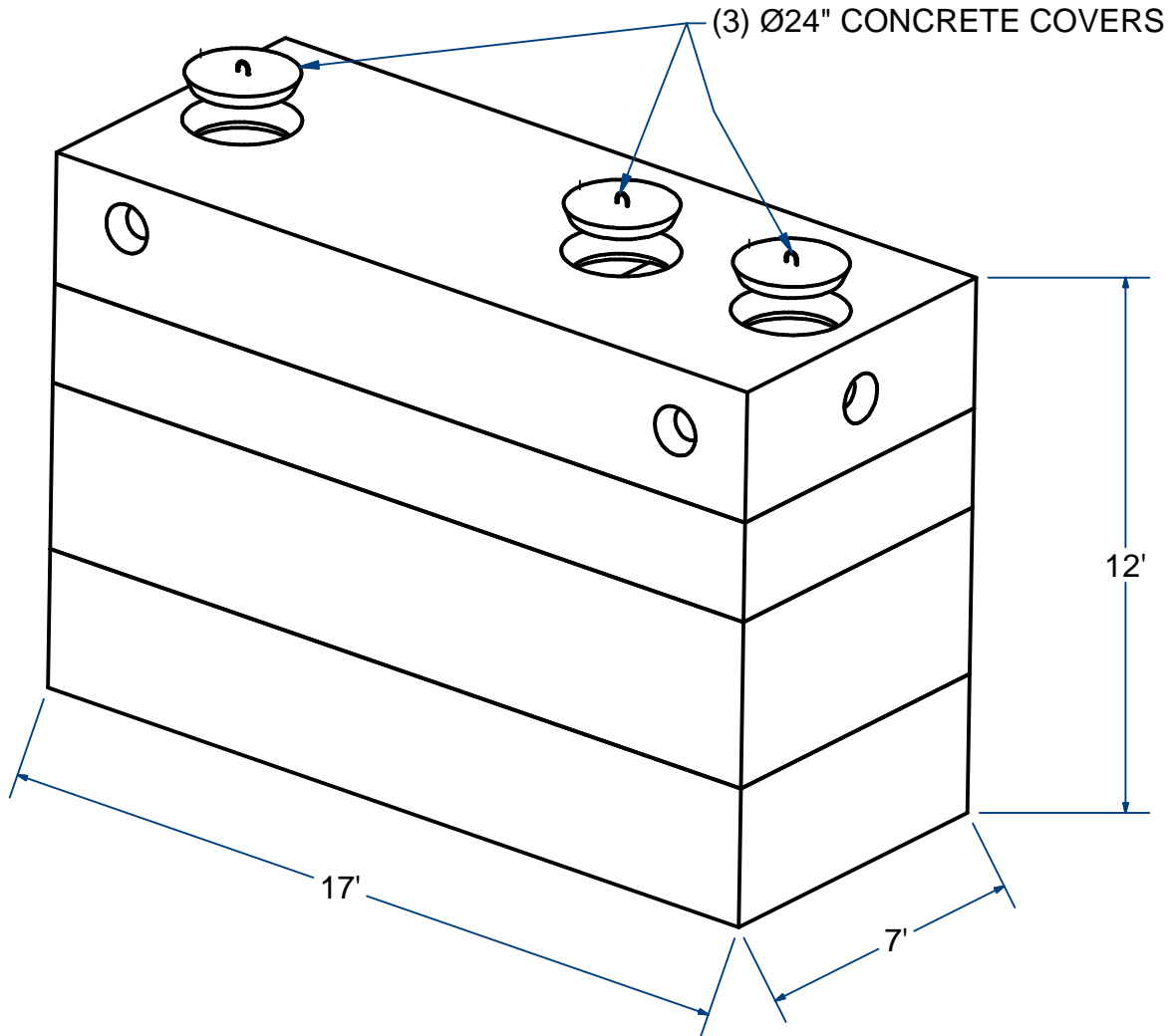


NOTES:

- 1.) SEAM SEALED WITH FLEXIBLE BUTYL RUBBER SEALANT.



2-COMPARTMENT TANK
7' X 17'
7,000 Gallon
H2O

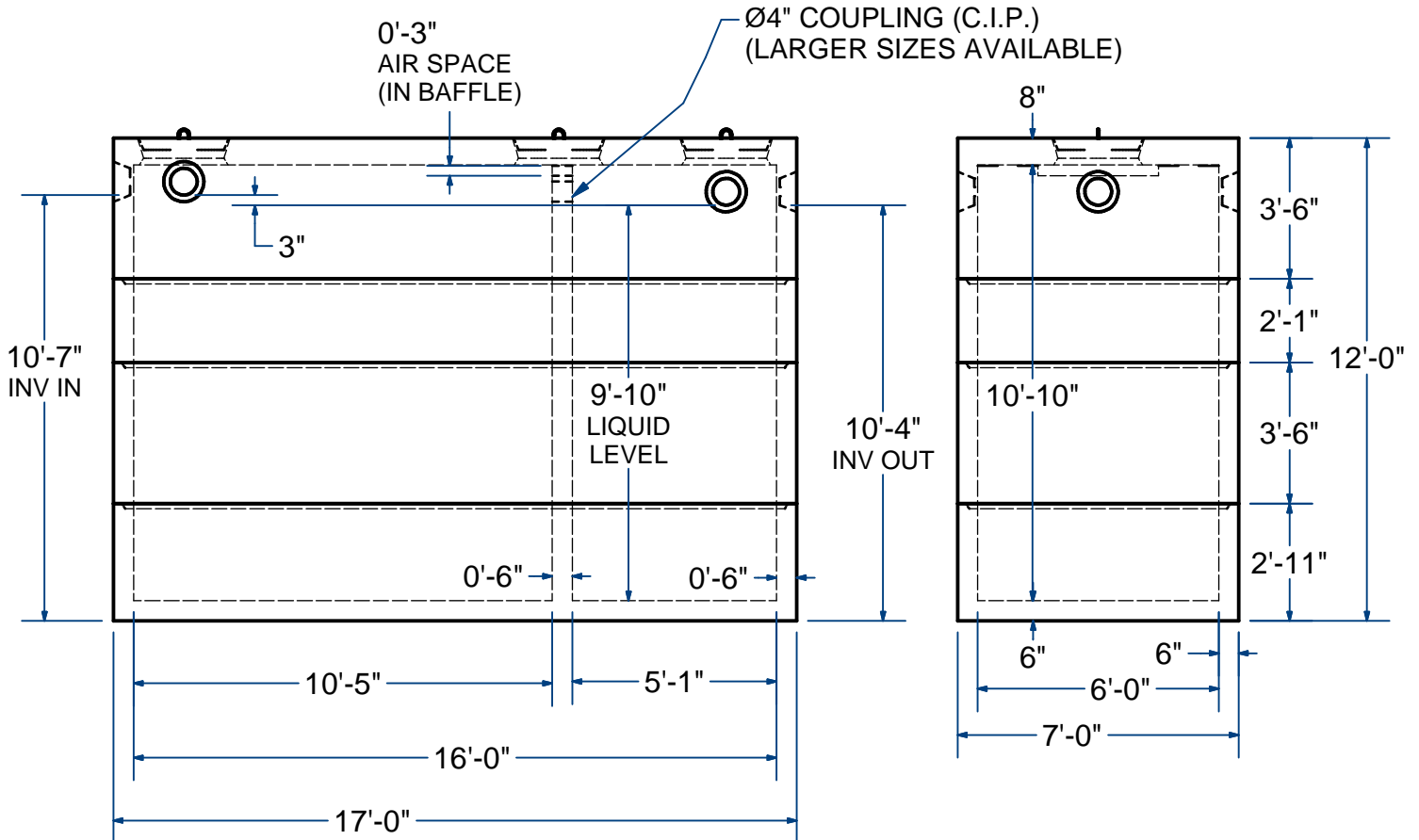
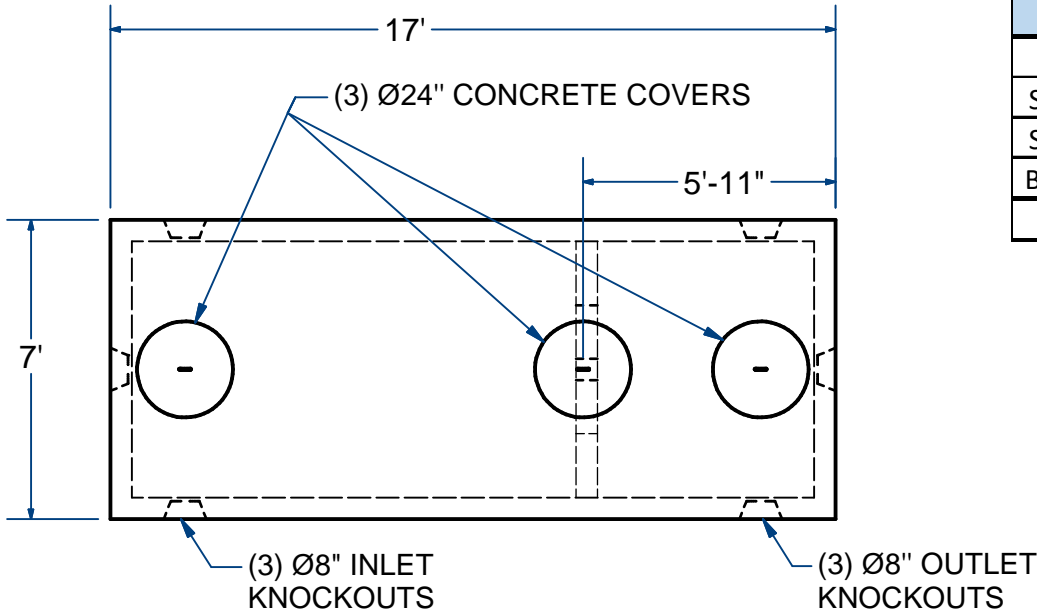
ACME-SHOREY

PRECAST CONCRETE PRODUCTS

NOTES:

1.) SEAM SEALED WITH FLEXIBLE BUTYL RUBBER SEALANT.

Each	Size	Ht	wt.(Lbs)
Top	1000G	42"	22,000
Sleeve	1500G	25"	8,500
Sleeve	2500G	42"	14,000
Bottom	2000G	35"	18,500
			63,000



NAME: 2-COMPARTMENT TANK 7'X17', 7,000 Gallon H-20 **ITEM# STPC770C**

Concrete Minimum Strength: 5,000 p.s.i. at 28 days
 Steel Reinforcement: ASTM A615, Grade 60
 Design Loading: standard units - AASHTO - H20

WEIGHT 63,000 Lbs

C

DATE: 12-13-21

Ch 10 Pg 15.9 Sht 2 of 2