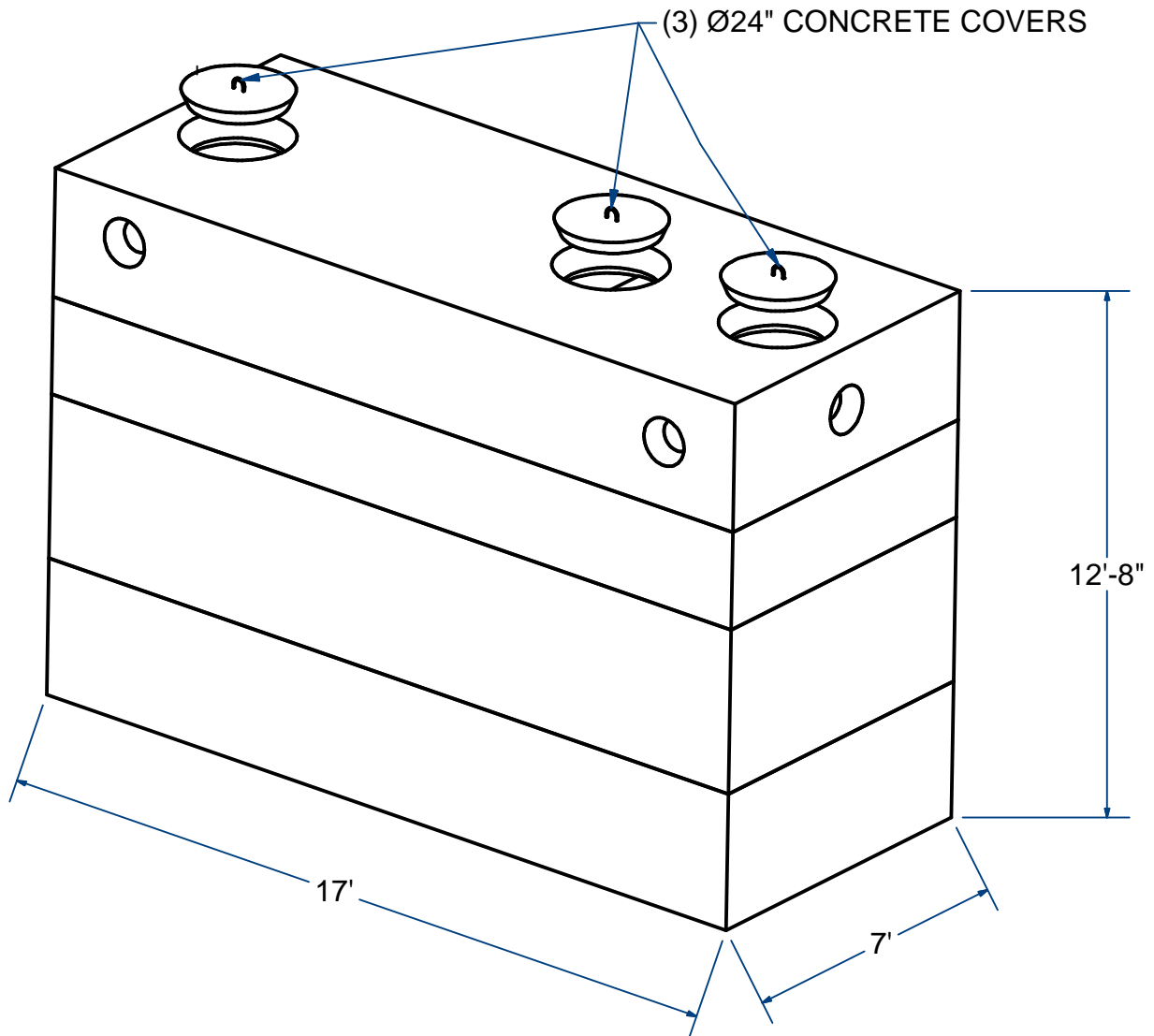


NOTES:

- 1.) SEAM SEALED WITH FLEXIBLE BUTYL RUBBER SEALANT.



**2-COMPARTMENT TANK**  
**7' X 17'**  
7,500 Gallon  
H2O

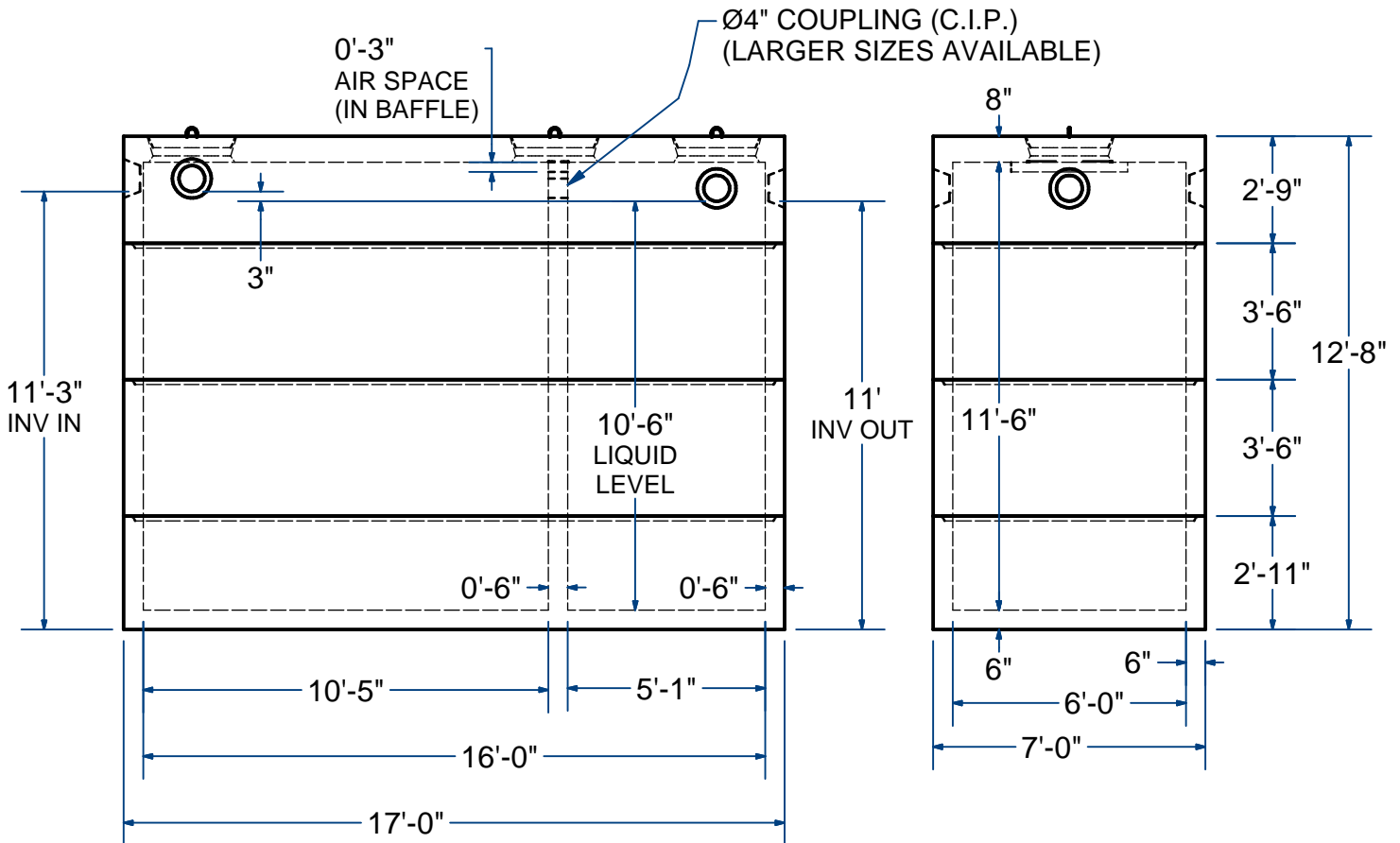
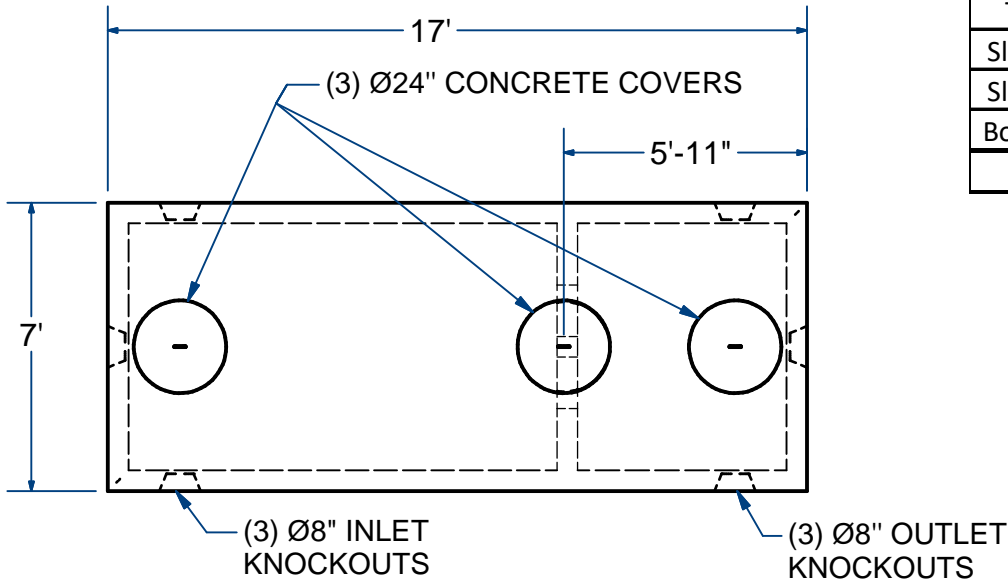
# ACME-SHOREY

PRECAST CONCRETE PRODUCTS

**NOTES:**

1.) SEAM SEALED WITH FLEXIBLE BUTYL RUBBER SEALANT.

Each	Size	Ht	wt. (Lbs)
Top	500G	33"	19,250
Sleeve	2500G	42"	14,000
Sleeve	2500G	42"	14,000
Bottom	2000G	35"	18,500
			65,750



**NAME: 2-COMPARTMENT TANK 7'X17', 7,500 Gallon H-20 ITEM# STPC775C**

Concrete Minimum Strength: 5,000 p.s.i. at 28 days  
 Steel Reinforcement: ASTM A615, Grade 60  
 Design Loading: standard units - AASHTO - H20

WEIGHT 65,750 Lbs

C

DATE: 12-13-21

Ch 10 Pg 15.10 Sht 2 of 2