

ACME-SHOREY

PRECAST CONCRETE PRODUCTS

WWW.ACME-SHOREY.COM

PHONE (508) 548-9607

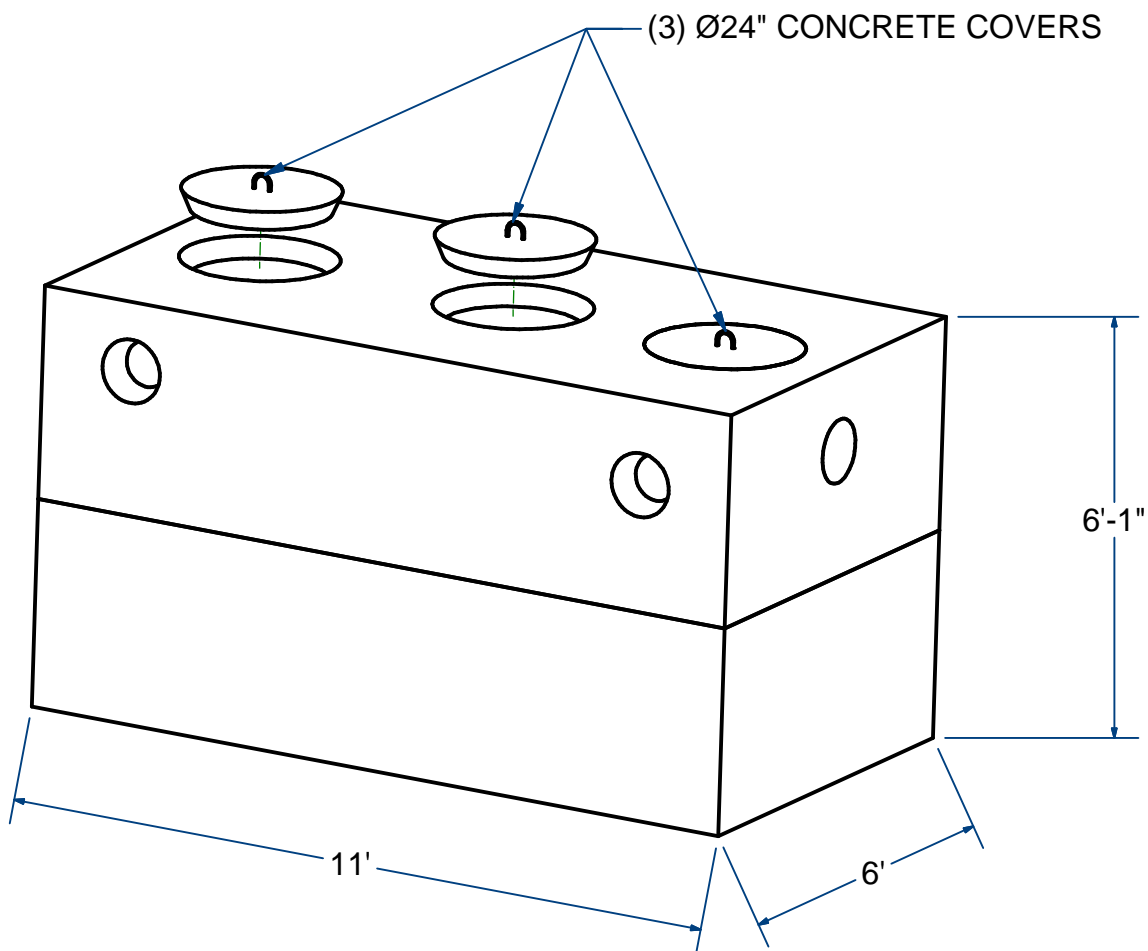
FAX (508) 548-1664

CARVER, MA
334 TREMONT STREET

HARWICH, MA
36 GREAT WESTERN ROAD

NOTES:

- 1.) SEAM SEALED WITH FLEXIBLE BUTYL RUBBER SEALANT.
- 2.) COMPARTMENT VOLUME (980 / 490 Gallons).



SEPTIC TANK-SEPTIC TANK (2/3 - 1/3)

H20
1500 Gallon

ITEM# STST152

Wt. 25,000 Lbs

10-1.3

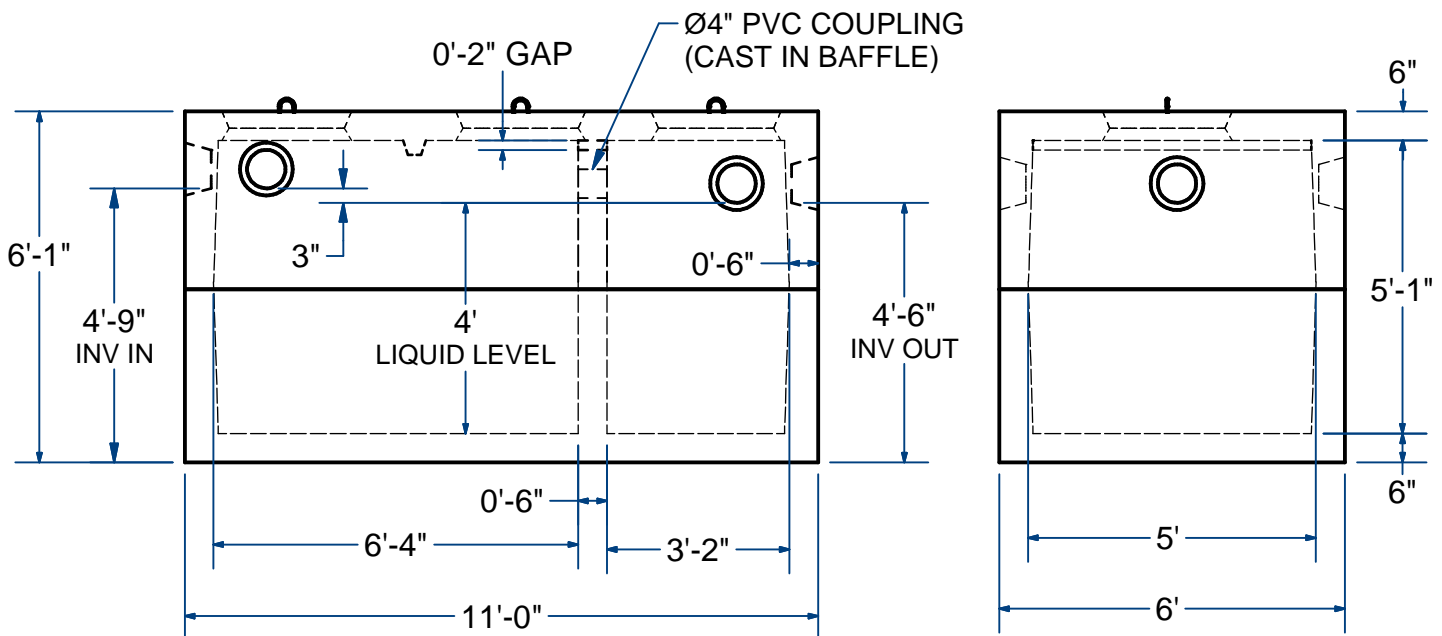
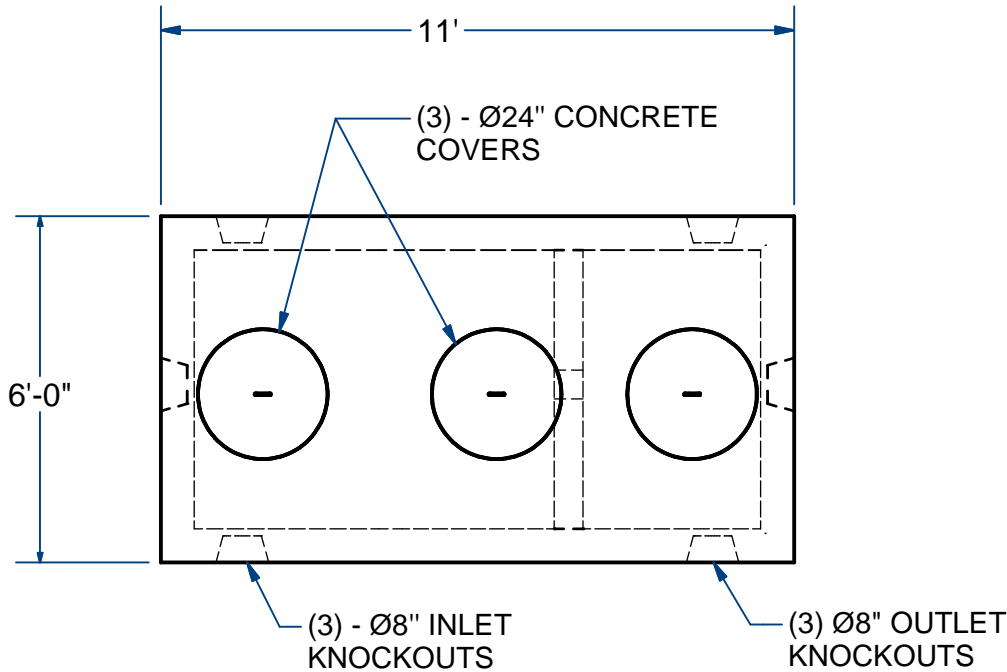
Sht 1 of 2

ACME-SHOREY

PRECAST CONCRETE PRODUCTS

NOTES:

- 1.) SEAM SEALED WITH FLEXIBLE BUTYL RUBBER SEALANT.
- 2.) TANK BAFFLE LOCATION $\frac{2}{3}$ - $\frac{1}{3}$.
COMPARTMENT VOLUME (980 / 490 Gallons).



NAME: SEPTIC TANK-SEPTIC TANK, 1500 Gallon
(TANK BAFFLE LOCATION $\frac{2}{3}$ - $\frac{1}{3}$)

H-20

ITEM# STST152

Concrete Minimum Strength: 5,000 p.s.i. at 28 days
Steel Reinforcement: ASTM A615, Grade 60
Design Loading: standard units - AASHTO - H20

TOP 12,000 Lbs
BOTTOM 13,000 Lbs

CH

DATE: 3-14-2019

Ch 10 Pg 1.3 Sht 2 of 2