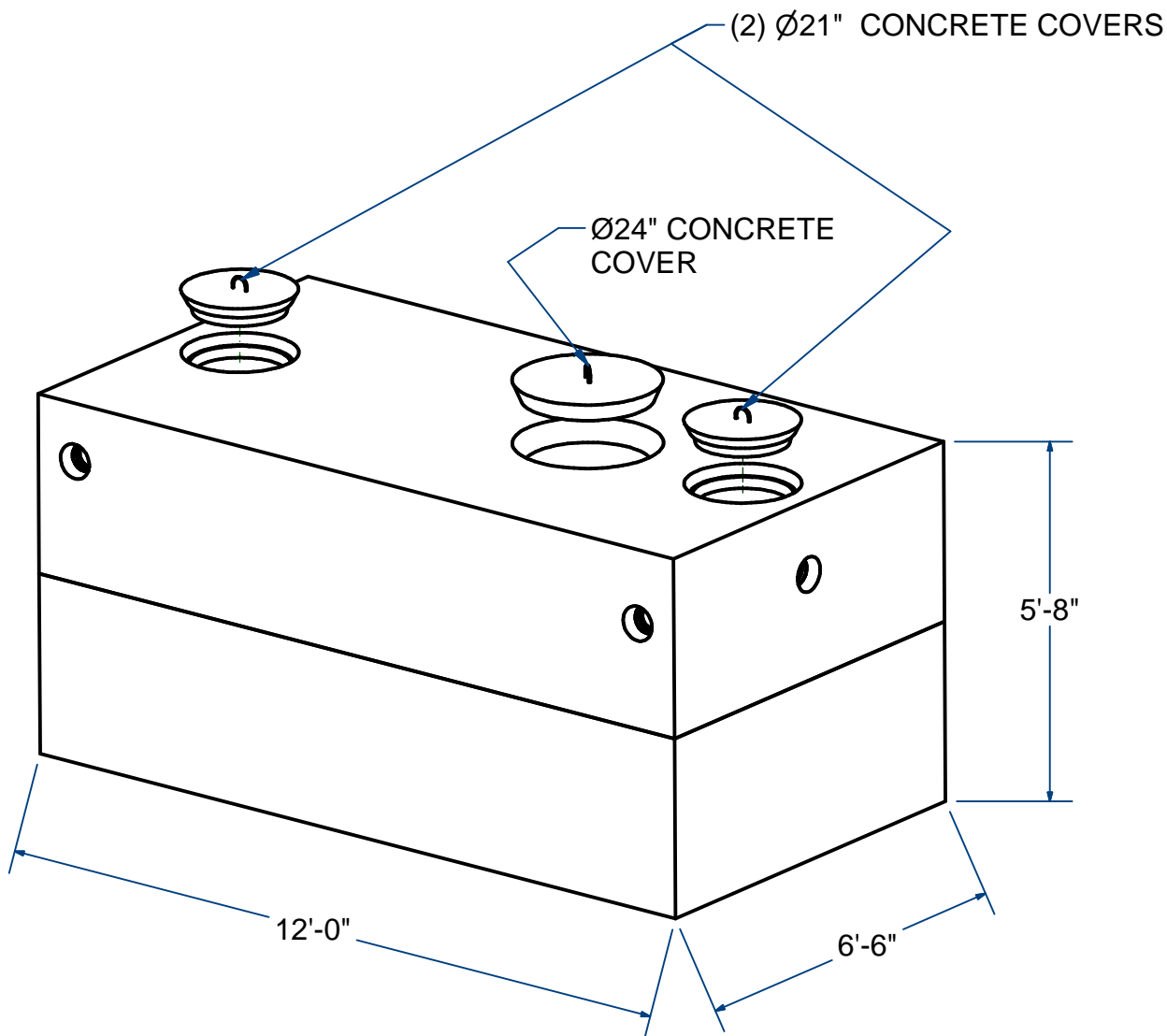


NOTES:

- 1.) SEAM SEALED WITH FLEXIBLE BUTYL RUBBER SEALANT.



SEPTIC TANK- SEPTIC TANK

H10

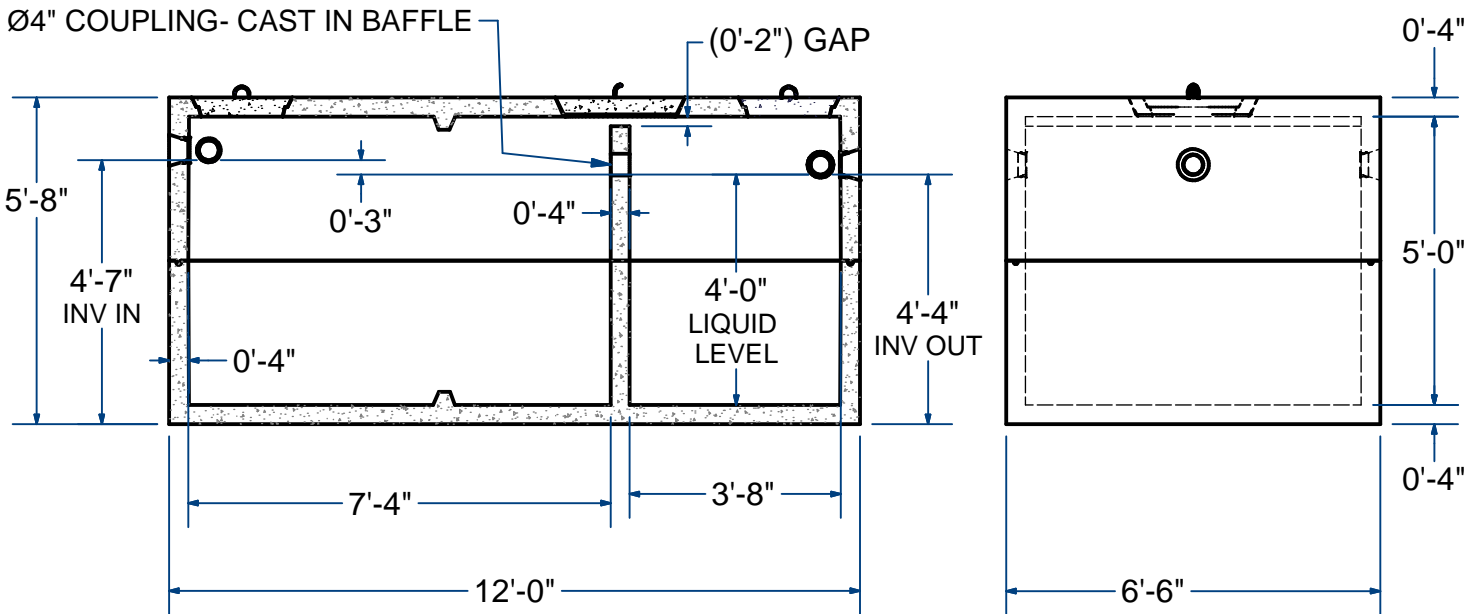
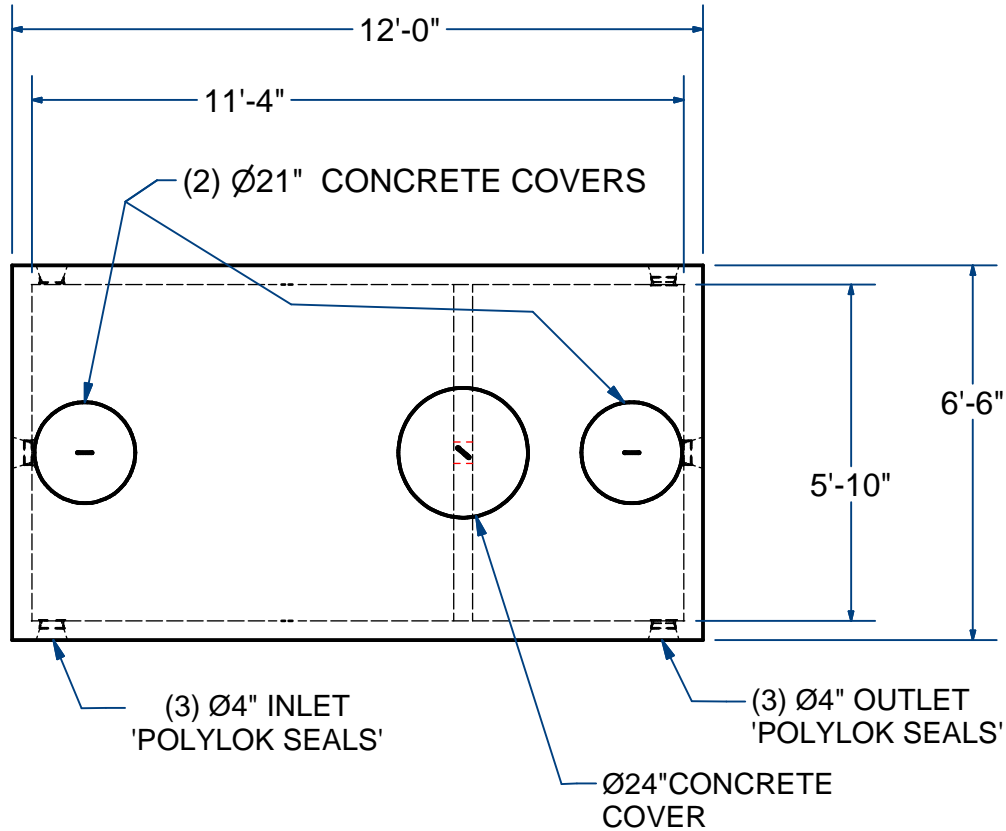
2,000 Gallon

ACME-SHOREY

PRECAST CONCRETE PRODUCTS

NOTES:

- 1.) SEAM SEALED WITH FLEXIBLE BUTYL RUBBER SEALANT.



NAME: SEPTIC TANK-SEPTIC TANK, 2000Gallon H-10

ITEM# STST20

Concrete Minimum Strength: 4,000 p.s.i. at 28 days
 Steel Reinforcement: ASTM A615, Grade 60
 Design Loading: standard units - AASHTO - H10

TOP 10,000 Lbs
 BOTTOM 10,000 Lbs

CH

DATE: 3-2-2019