

# ACME-SHOREY

PRECAST CONCRETE PRODUCTS

WWW.ACME-SHOREY.COM

PHONE (508) 548-9607

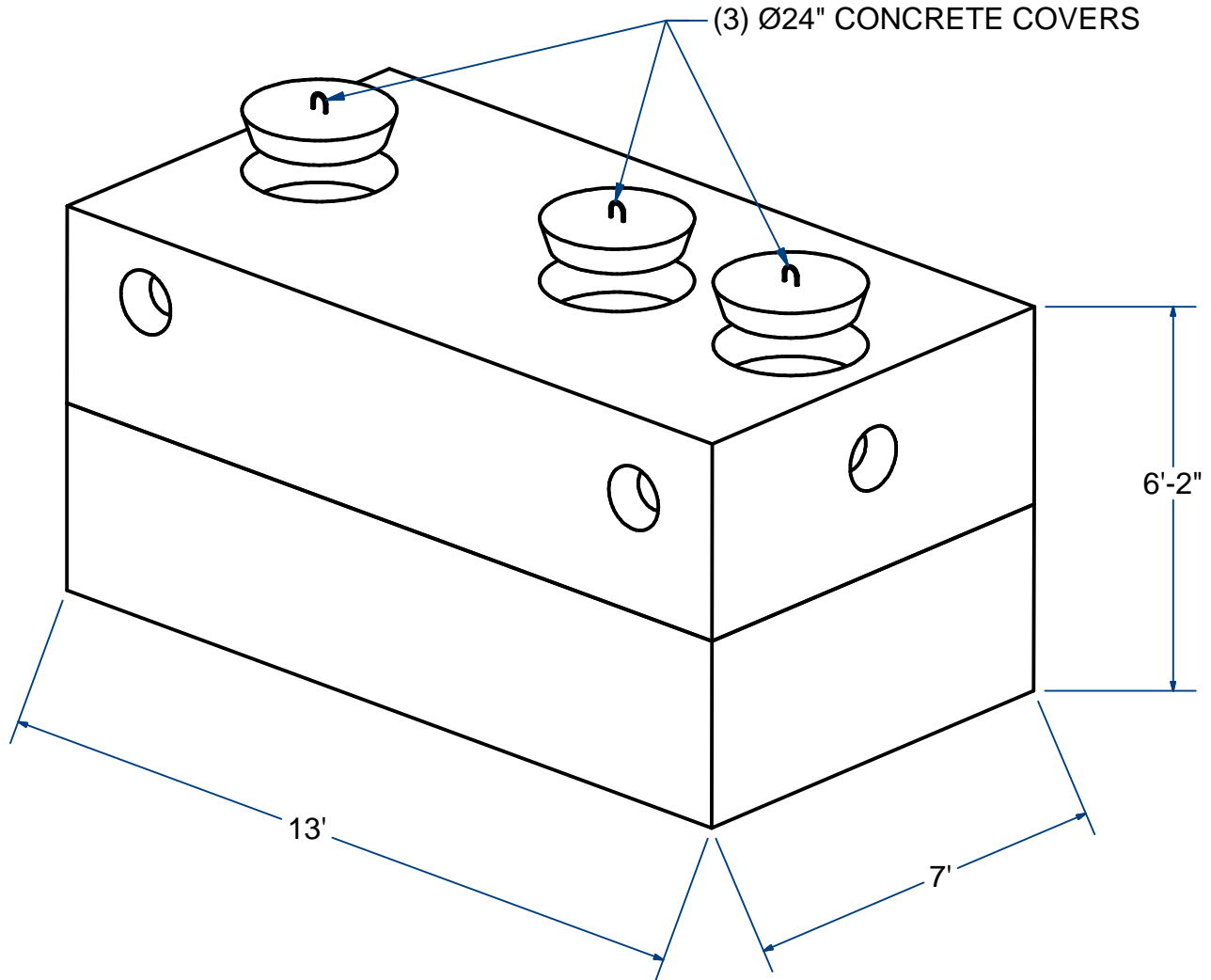
FAX (508) 548-1664

CARVER, MA  
334 TREMONT STREET

HARWICH, MA  
36 GREAT WESTERN ROAD

### NOTES:

- 1.) SEAM SEALED WITH FLEXIBLE BUTYL RUBBER SEALANT.
- 2.) TANK Baffle LOCATION  $\frac{2}{3}$  -  $\frac{1}{3}$   
COMPARTMENT VOLUME (1376 / 688 Gallons)



## SEPTIC TANK-SEPTIC TANK LOW PROFILE (2/3 -1/3)

H20  
2000 Gallon

ITEM# STST202LP

Wt. 33,500 Lbs

10-3.3

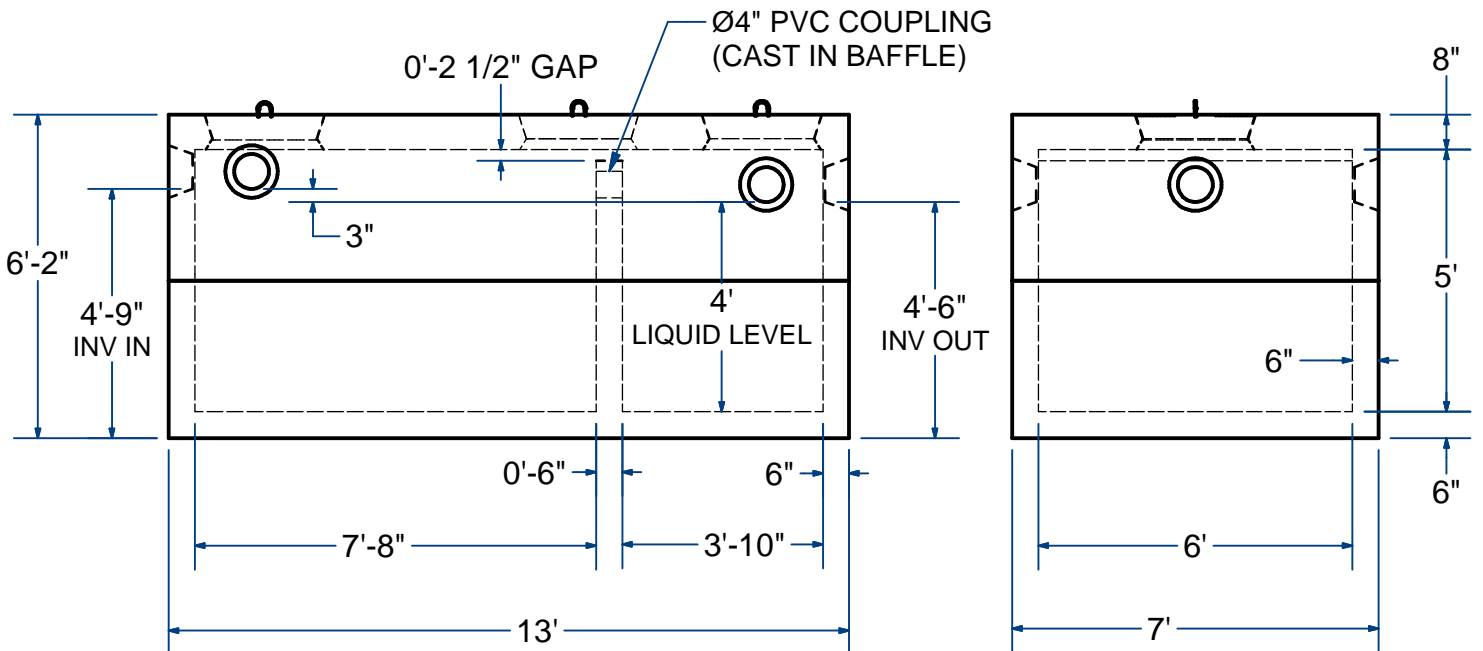
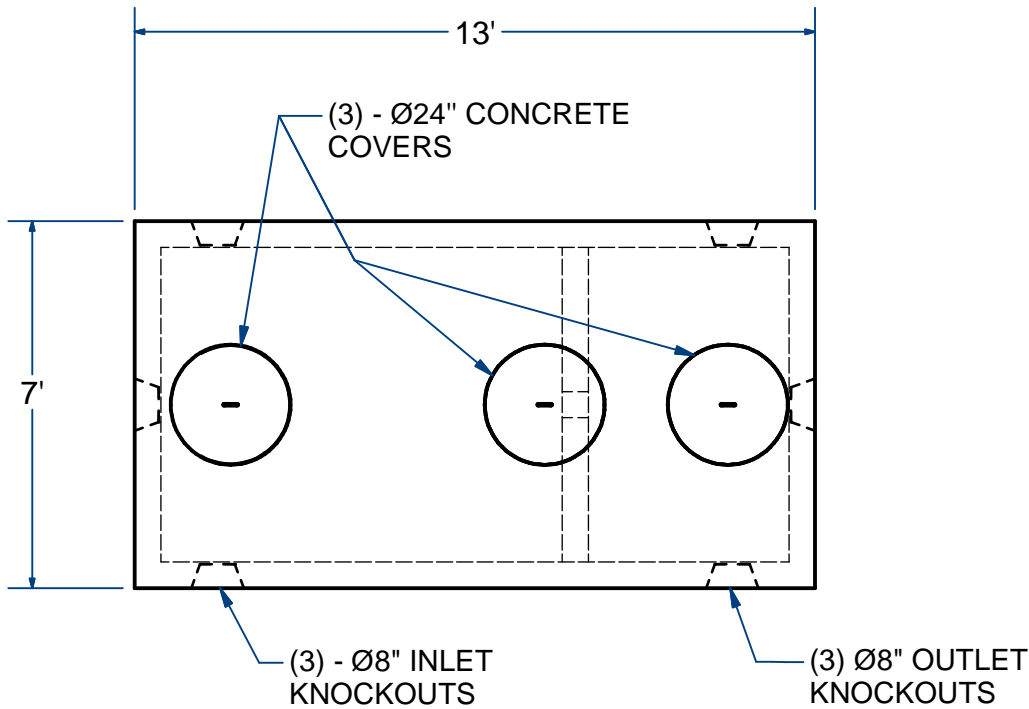
Sht 1 of 2

# ACME-SHOREY

PRECAST CONCRETE PRODUCTS

**NOTES:**

- 1.) SEAM SEALED WITH FLEXIBLE BUTYL RUBBER SEALANT.
- 2.) TANK BAFFLE LOCATION  $\frac{2}{3}$  -  $\frac{1}{3}$  COMPARTMENT VOLUME (1376 / 688 Gallons)



**NAME:** SEPTIC TANK-SEPTIC TANK, 2000Gallon  
(TANK BAFFLE LOCATION  $\frac{2}{3}$  -  $\frac{1}{3}$ )

**H-20**

**ITEM# STST202LP**

Concrete Minimum Strength: 5,000 p.s.i. at 28 days  
Steel Reinforcement: ASTM A615, Grade 60  
Design Loading: standard units - AASHTO - H20

TOP 17,000 Lbs  
BOTTOM 16,500 Lbs

C

DATE: 3-4-2019

Ch 10 Pg 3.3 Sht 2 of 2