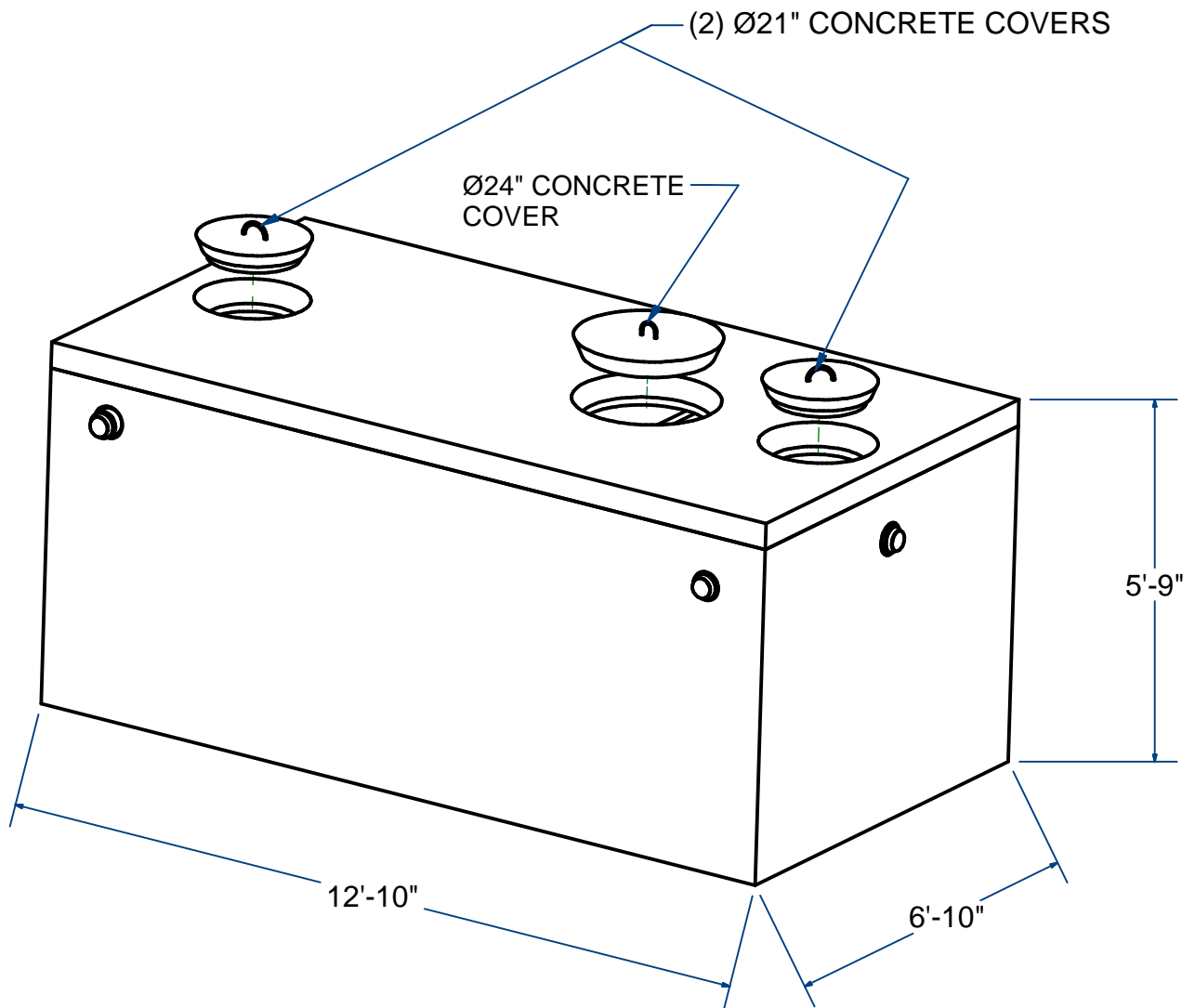


NOTES:

- 1.) SEAM SEALED WITH FLEXIBLE BUTYL RUBBER SEALANT.



SEPTIC TANK - SEPTIC TANK ,MONO

H10

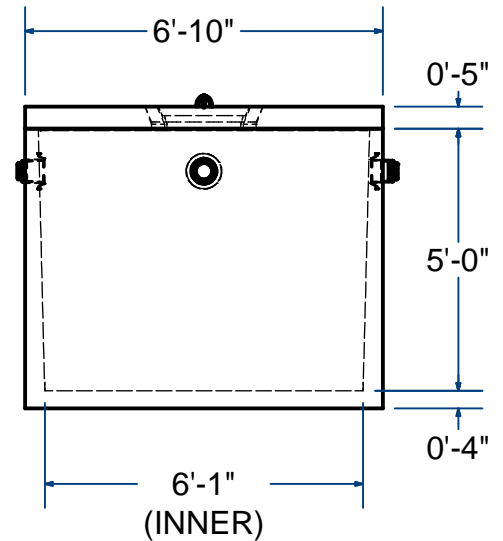
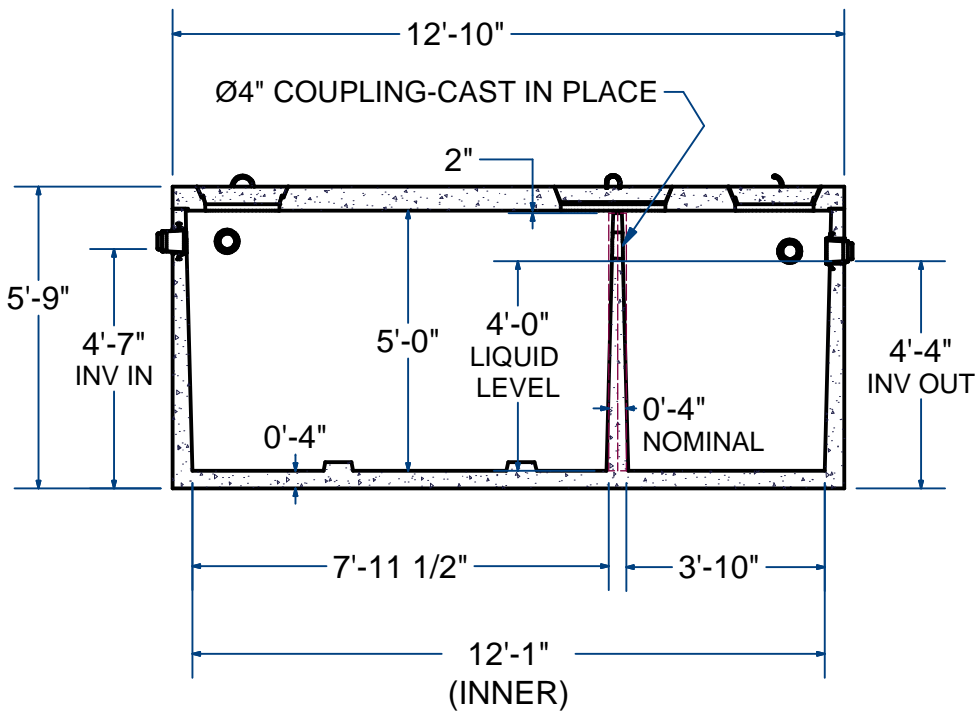
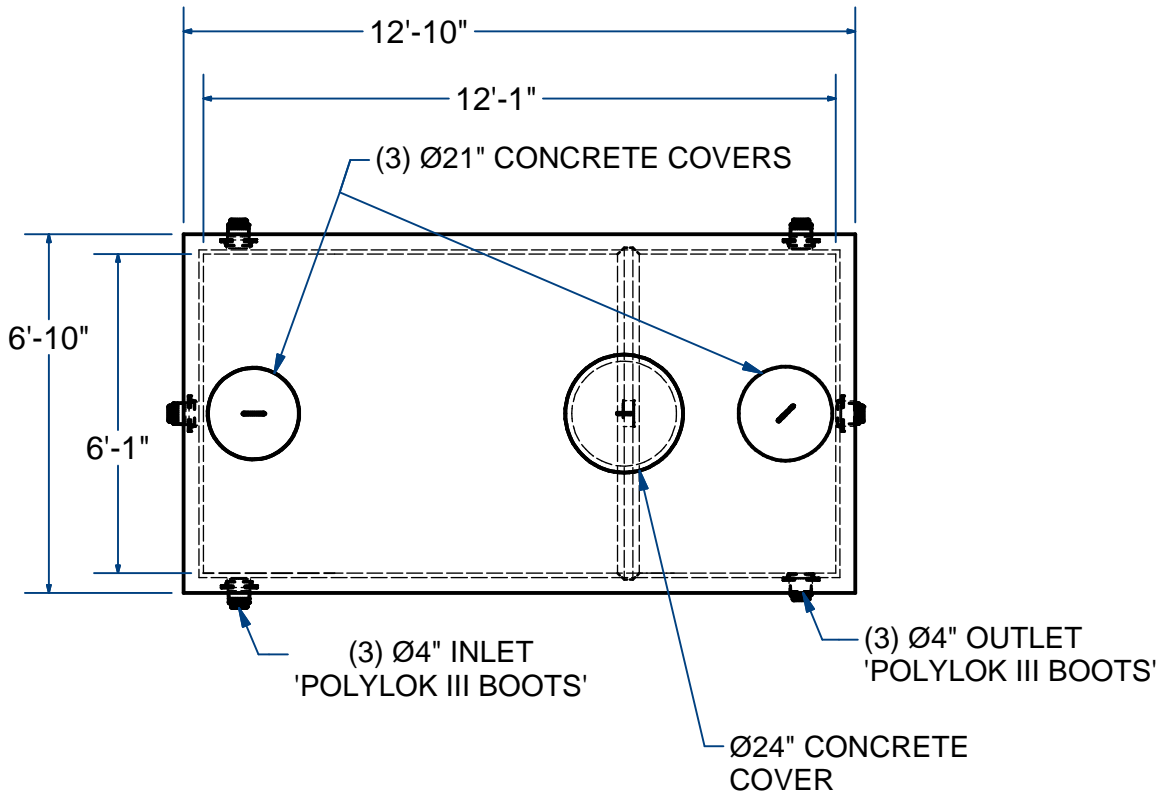
2,000 Gallon

ACME-SHOREY

PRECAST CONCRETE PRODUCTS

NOTES:

- 1.) SEAM SEALED WITH FLEXIBLE BUTYL RUBBER SEALANT.



NAME: SEPTIC TANK-SEPTIC TANK, 2000G, MONO

H-10

ITEM# STST20M

Concrete Minimum Strength: 4,000 p.s.i. at 28 days
 Steel Reinforcement: ASTM A615, Grade 60
 Design Loading: standard units - AASHTO - H10

TOP 5,500 Lbs
 BOTTOM 15,000 Lbs

H

DATE: 2-24-2019

Ch 3 Pg 4.3 Sht 2 of 2