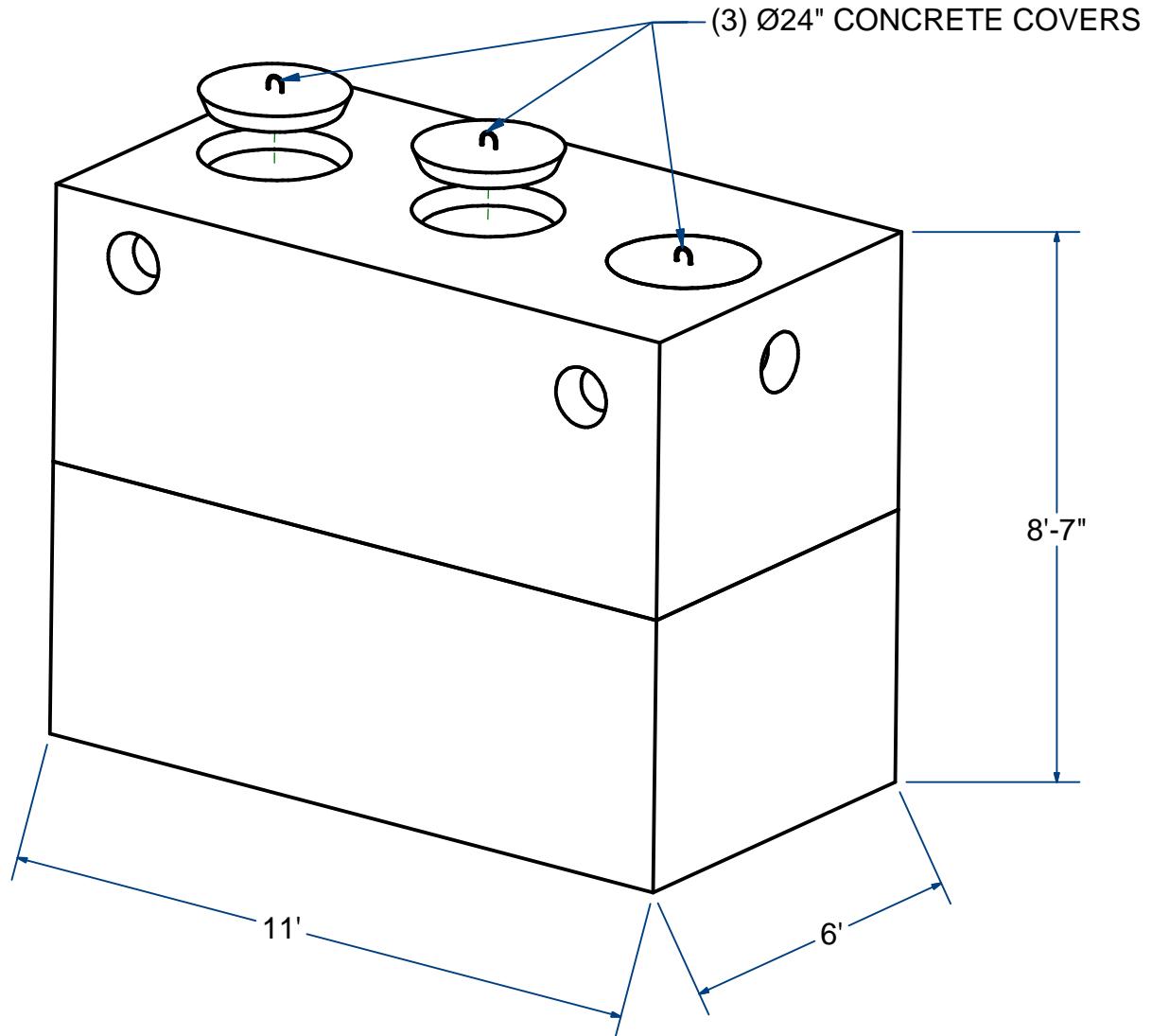


NOTES:

- 1.) SEAM SEALED WITH FLEXIBLE BUTYL RUBBER SEALANT.



SEPTIC TANK-SEPTIC TANK

H20

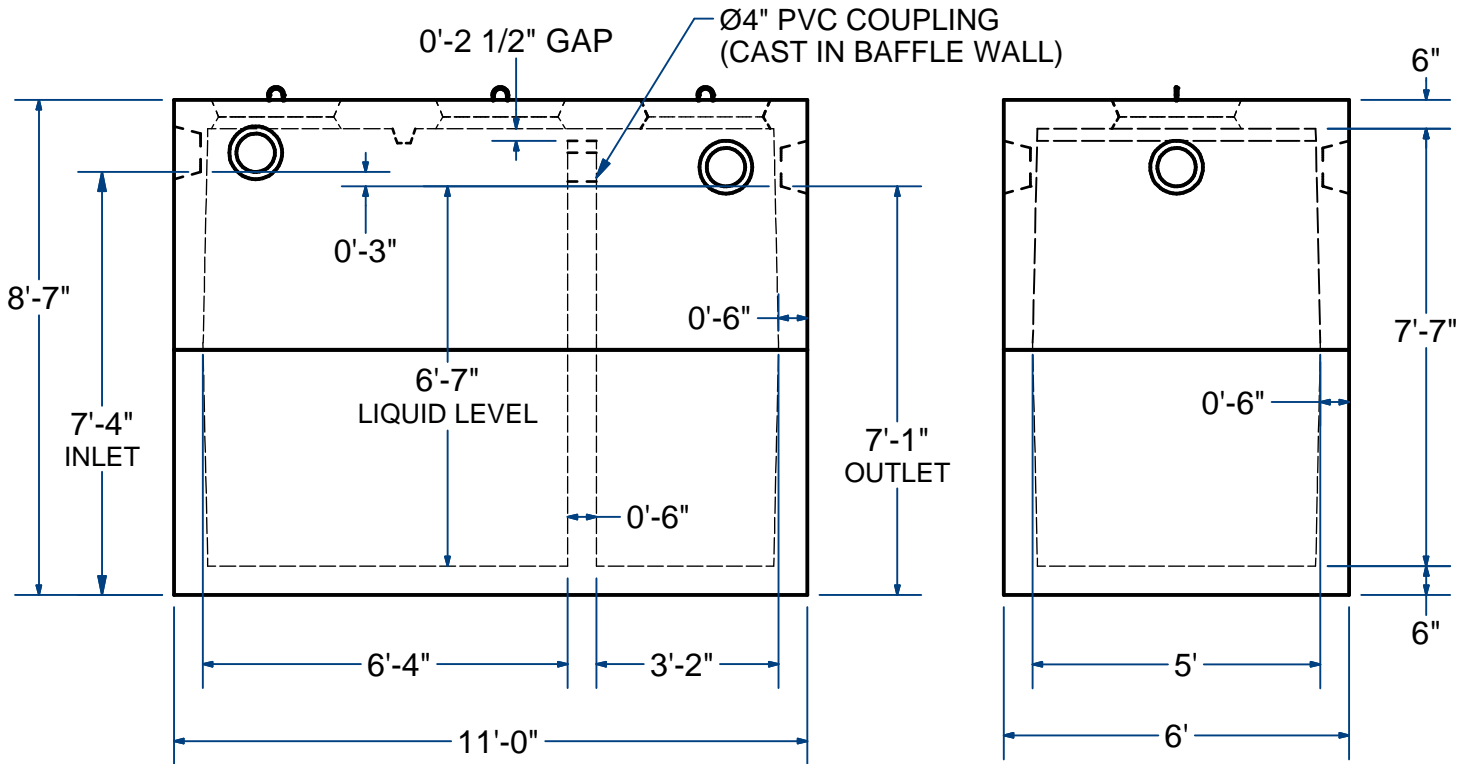
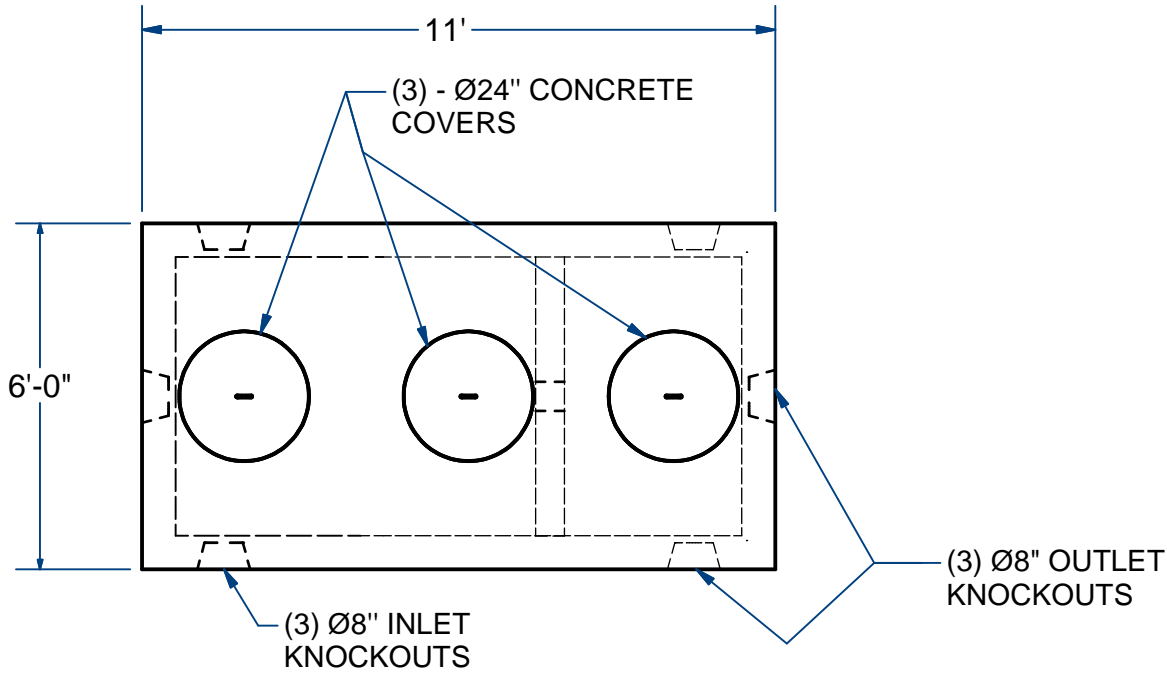
2500 Gallon

ACME-SHOREY

PRECAST CONCRETE PRODUCTS

NOTES:

- 1.) SEAM SEALED WITH FLEXIBLE BUTYL RUBBER SEALANT.



NAME: SEPTIC TANK SEPTIC TANK, 2500 Gallon

H-20

ITEM# STST252

Concrete Minimum Strength: 5,000 p.s.i. at 28 days
 Steel Reinforcement: ASTM A615, Grade 60
 Design Loading: standard units - AASHTO - H20

TOP 16,000 Lbs
 BOTTOM 16,500 Lbs

H

DATE: 3-12-2019

Ch 10 Pg 6.3 Sht 2 of 2