

ACME-SHOREY

PRECAST CONCRETE PRODUCTS

WWW.ACME-SHOREY.COM

PHONE (508) 548-9607

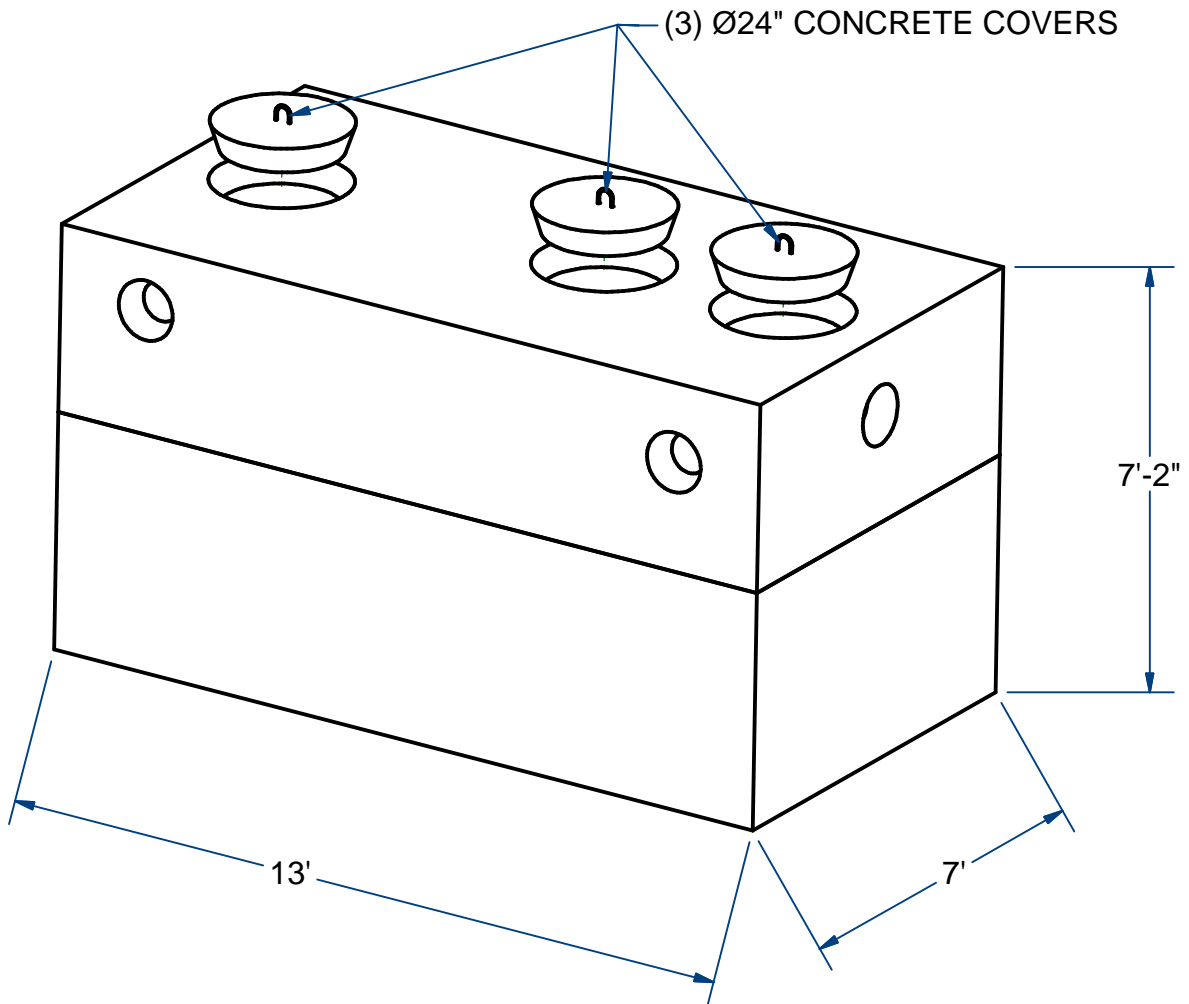
FAX (508) 548-1664

CARVER, MA
334 TREMONT STREET

HARWICH, MA
36 GREAT WESTERN ROAD

NOTES:

- 1.) SEAM SEALED WITH FLEXIBLE BUTYL RUBBER SEALANT.
- 2.) TANK Baffle LOCATION $\frac{2}{3}$ - $\frac{1}{3}$ COMPARTMENT VOLUME (1720 / 860 Gallons).



SEPTIC TANK SEPTIC TANK, LOW PROFILE (2/3 -1/3)

H20

2,500 Gallon

ITEM# STST252LP

Wt. 36,750 Lbs

10-5.3

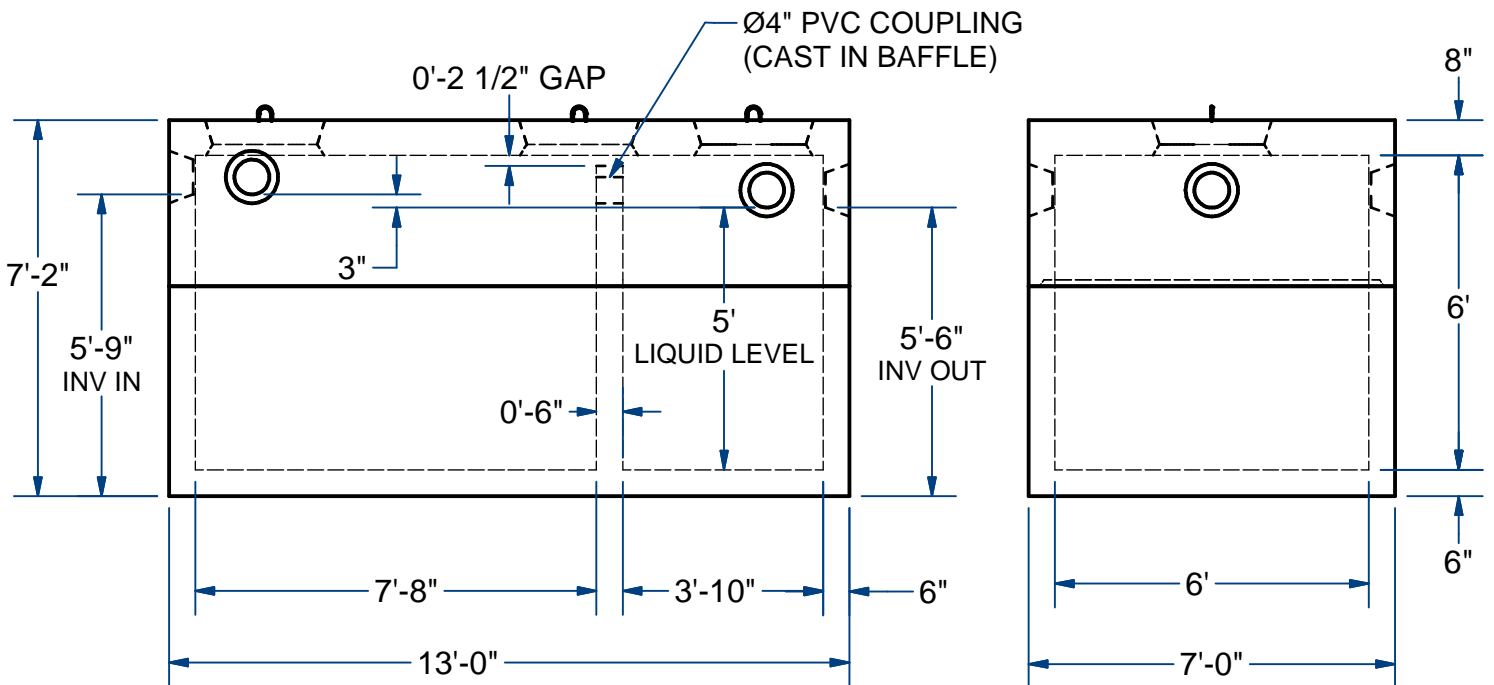
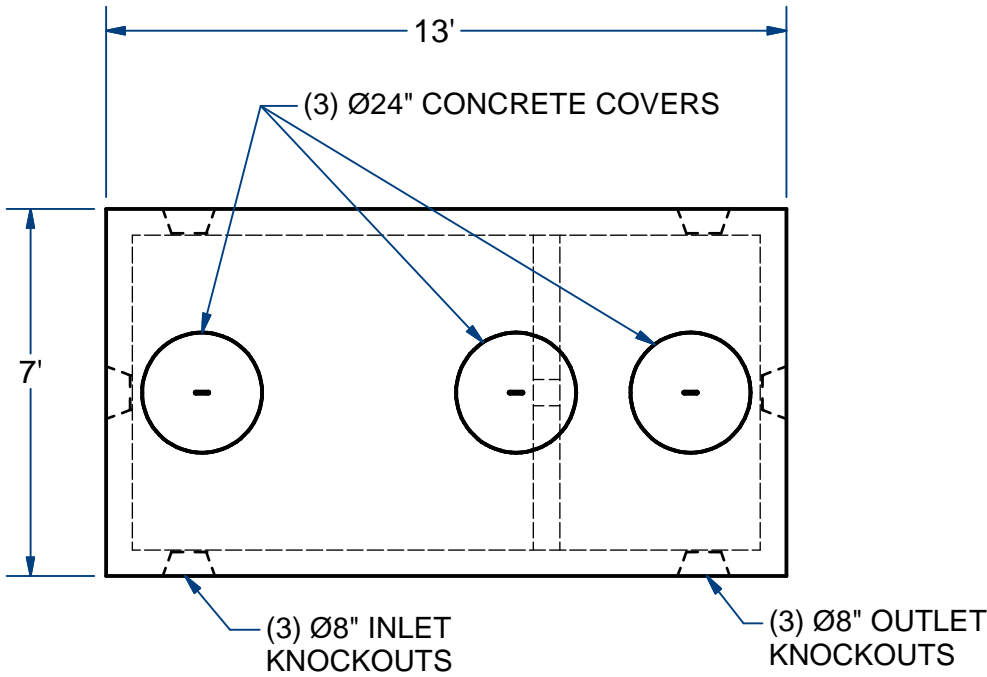
Sht 1 of 2

ACME-SHOREY

PRECAST CONCRETE PRODUCTS

NOTES:

- 1.) SEAM SEALED WITH FLEXIBLE BUTYL RUBBER SEALANT.
- 2.) TANK BAFFLE LOCATION $\frac{2}{3}$ - $\frac{1}{3}$ COMPARTMENT VOLUME (1720 / 860 Gallons).



NAME: SEPTIC TANK SEPTIC TANK, 2500 Gallon
(TANK BAFFLE LOCATION $\frac{2}{3}$ - $\frac{1}{3}$)

H-20

ITEM# STST252LP

Concrete Minimum Strength: 5,000 p.s.i. at 28 days
Steel Reinforcement: ASTM A615, Grade 60
Design Loading: standard units - AASHTO - H20

TOP 17,000 Lbs
BOTTOM 19,750 Lbs

C

DATE: 4-4-2019

Ch 10 Pg 5.3 Sht 2 of 2