

ACME-SHOREY

PRECAST CONCRETE PRODUCTS

WWW.ACME-SHOREY.COM

PHONE (508) 548-9607

FAX (508) 548-1664

CARVER, MA

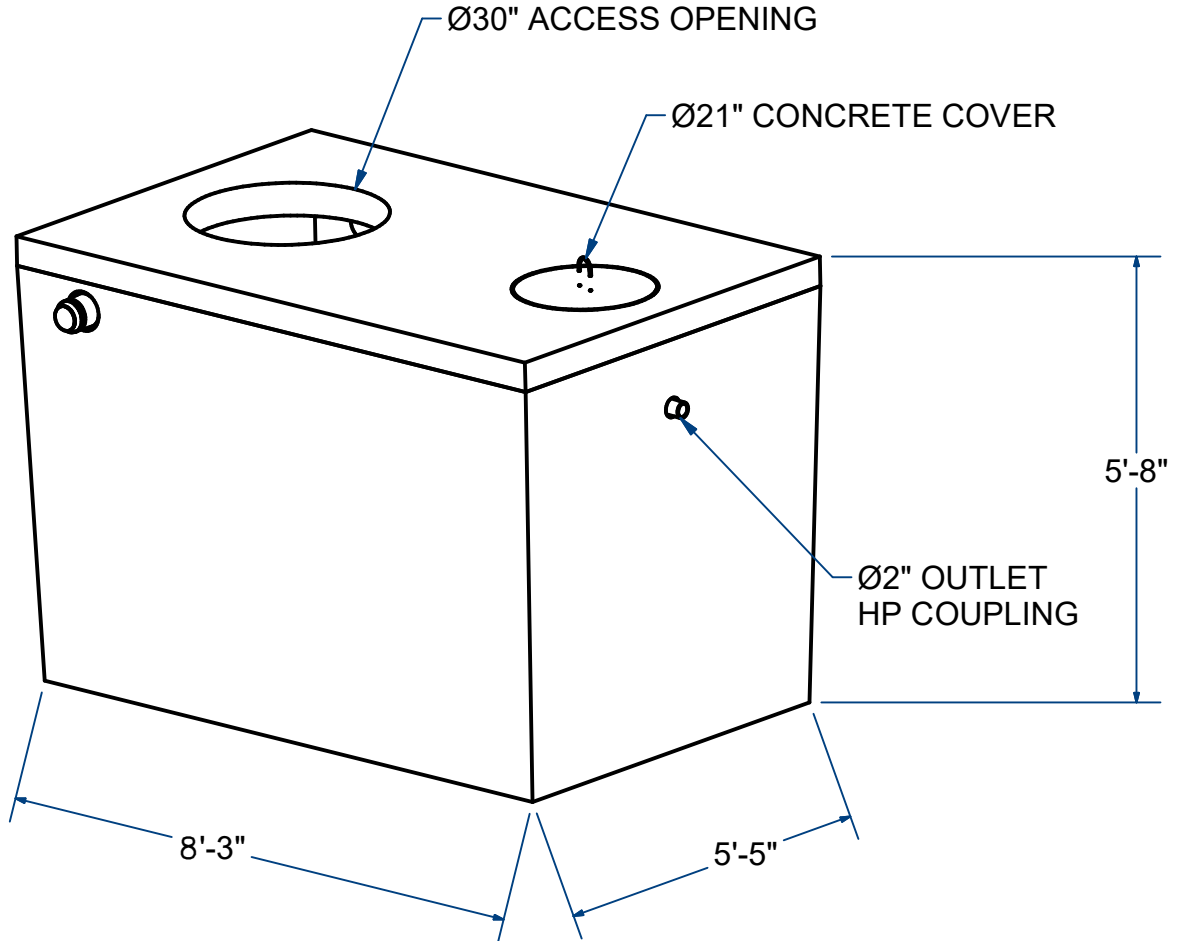
334 TREMONT STREET

HARWICH, MA

36 GREAT WESTERN ROAD

NOTES:

- 1.) SEAM SEALED WITH FLEXIBLE BUTYL RUBBER SEALANT.



STaar .50 SEPTIC TANK, MONOLITHIC, 2-COMPARTMENT

(SEPTI-TECH M400D PROCESSOR)

1,000 Gallon

H10

FOR PROCESS INFO
PLEASE CONTACT:

DISTRIBUTOR
J&R Sales & Service
Raynham, Ma 02767
(207) 333-6940
www.jrsalesinc.com



ITEM# STaar.50-10M

Wt. 9,880 Lbs

7 -6.1

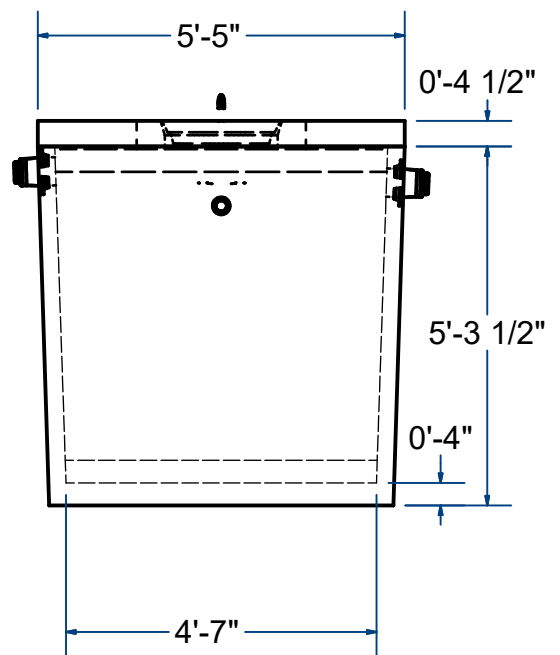
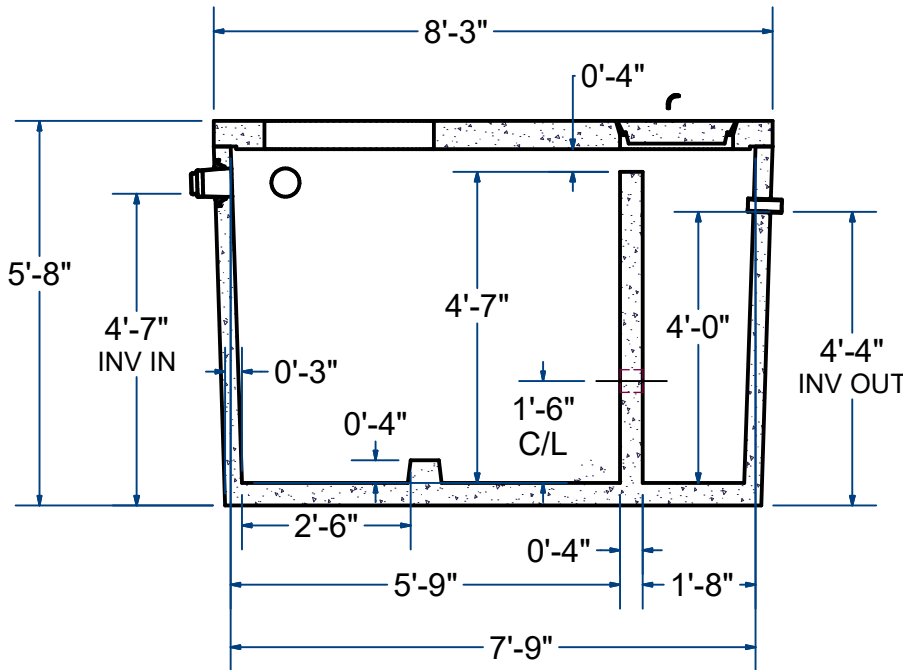
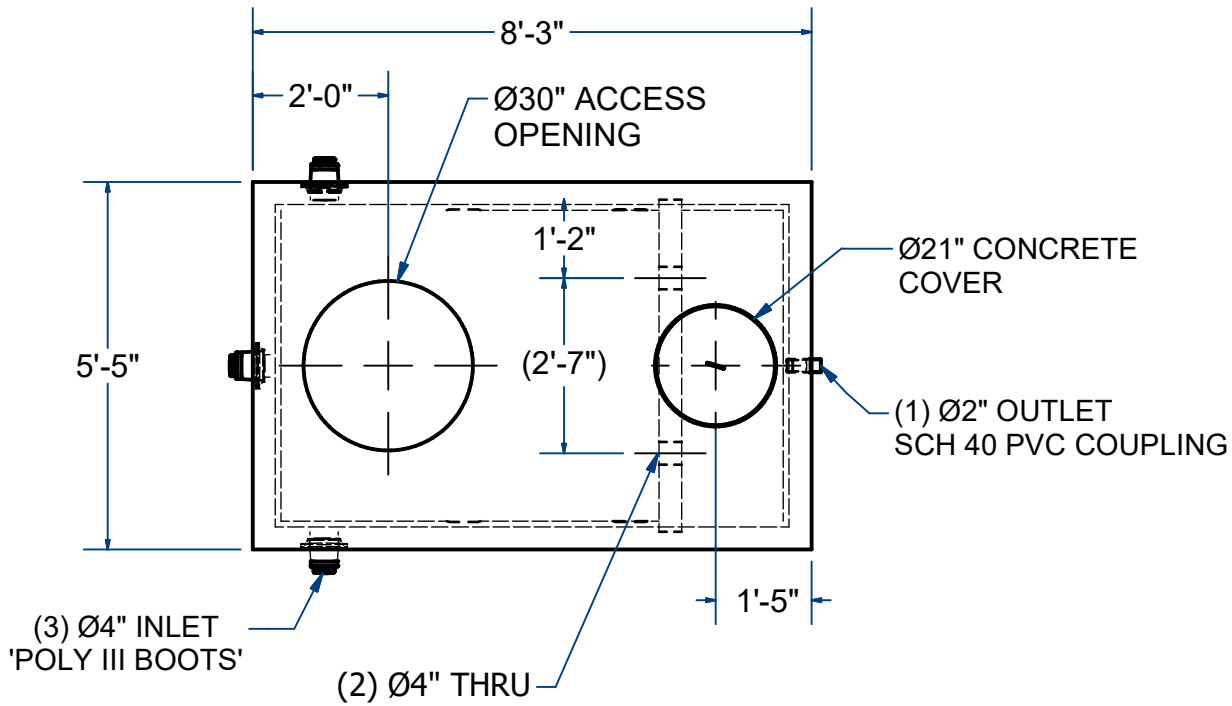
Sht 1 of 2

ACME-SHOREY

PRECAST CONCRETE PRODUCTS

NOTES:

- 1.) SEAM SEALED WITH FLEXIBLE BUTYL RUBBER SEALANT.



NAME: STaar .50 SEPTIC TANK, 1,000 Gallon, MONO
(M400D PROCESSOR)

H-10

ITEM# STaar.50-10M

Concrete Minimum Strength: 4,000 p.s.i. at 28 days
Steel Reinforcement: ASTM A615, Grade 60
Design Loading: standard units - AASHTO - H10

TOP 2,180 Lbs
BOTTOM 7,700 Lbs

H DATE: 10-1-25
Ch 7 Pg 6.1 Sht 2 of 2