

# ACME-SHOREY

PRECAST CONCRETE PRODUCTS

WWW.ACME-SHOREY.COM

PHONE (508) 548-9607

FAX (508) 548-1664

CARVER, MA

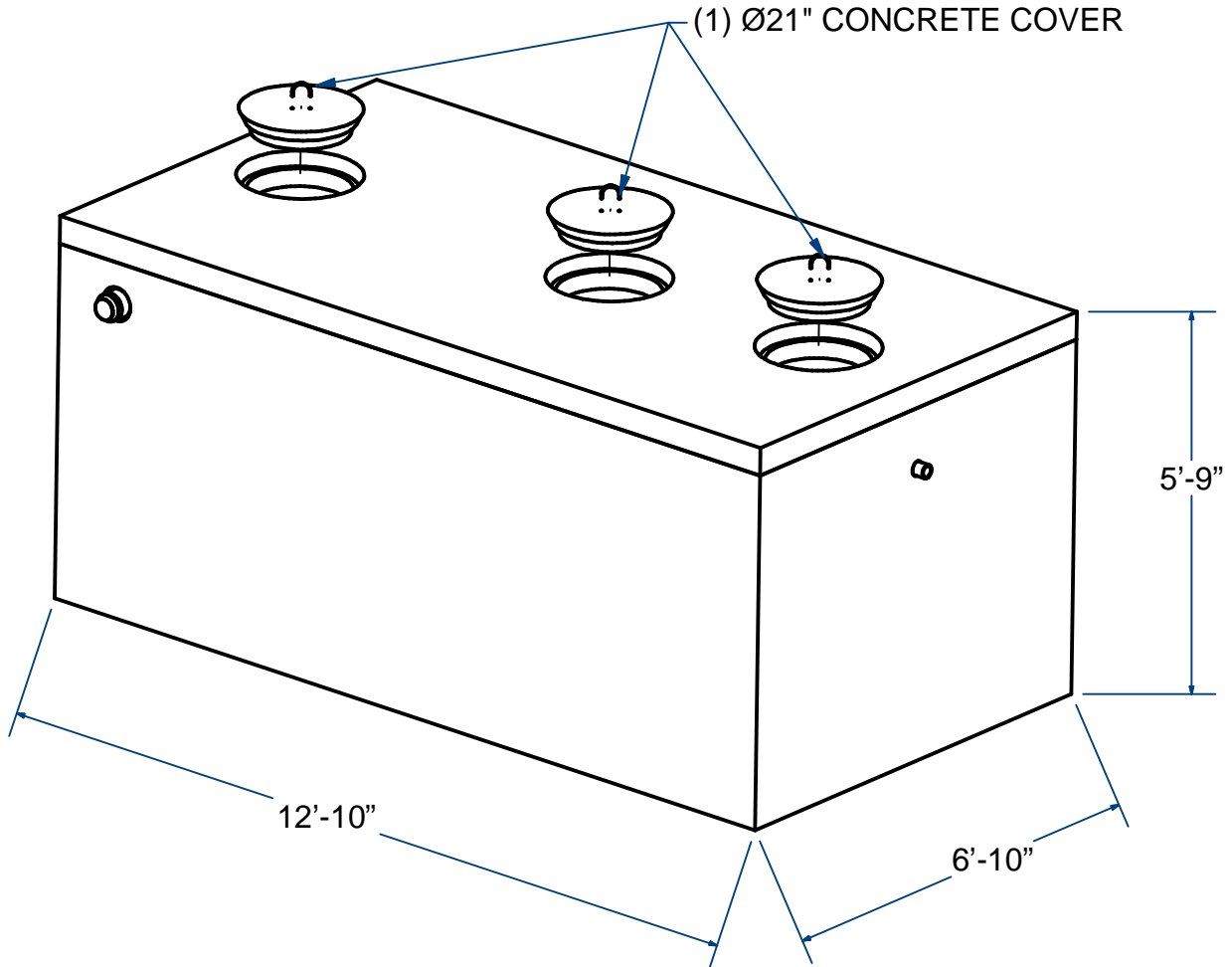
334 TREMONT STREET

HARWICH, MA

36 GREAT WESTERN ROAD

### NOTES:

- 1.) SEAM SEALED WITH FLEXIBLE BUTYL RUBBER SEALANT.



## Staar 1.2 SEPTIC TANK, MONOLITHIC, 2-COMPARTMENT

(SEPTI-TECH M1200D PROCESSOR)

2,000 Gallon

H10

FOR PROCESS INFO  
PLEASE CONTACT:

DISTRIBUTOR  
J&R Sales & Service  
Raynham, Ma 02767  
(207) 333-6940  
www.jrsalesinc.com



ITEM# **Staar1.2-20M**

Wt. 19,800 Lbs

7 -6.3

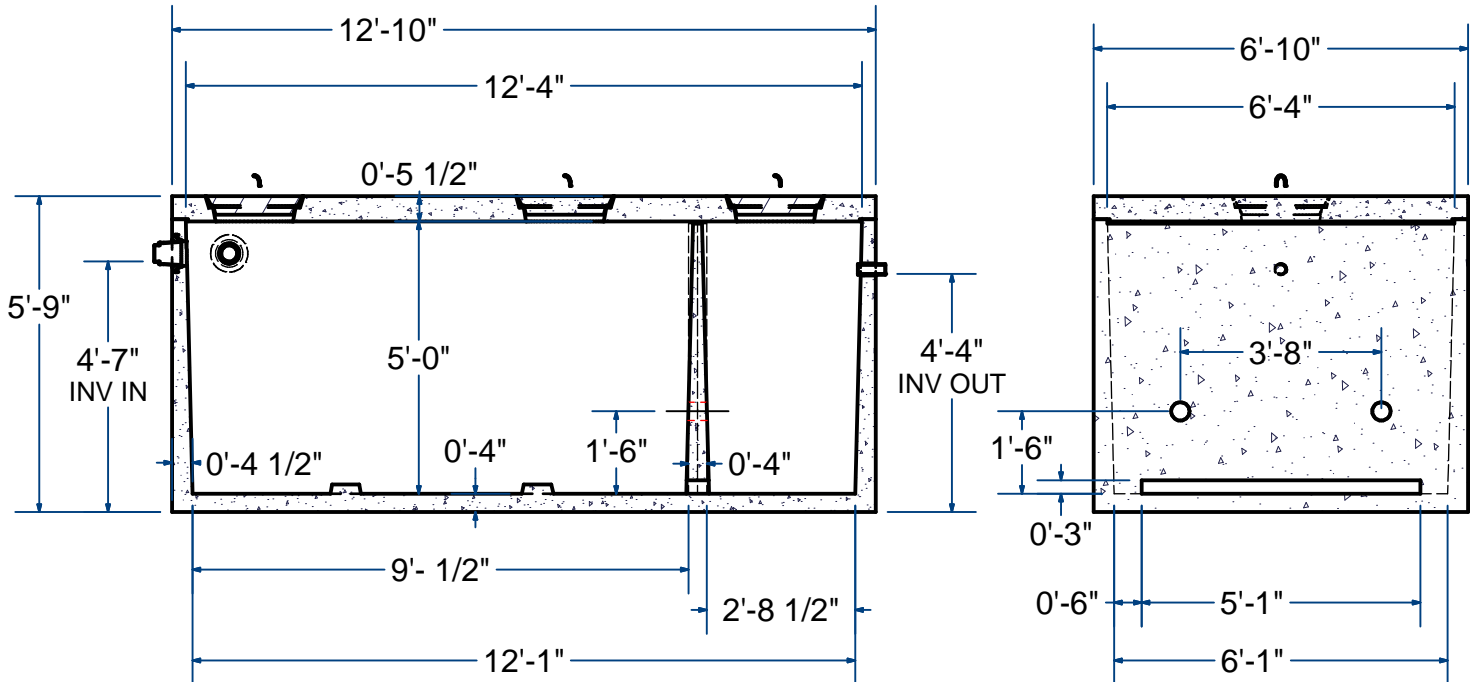
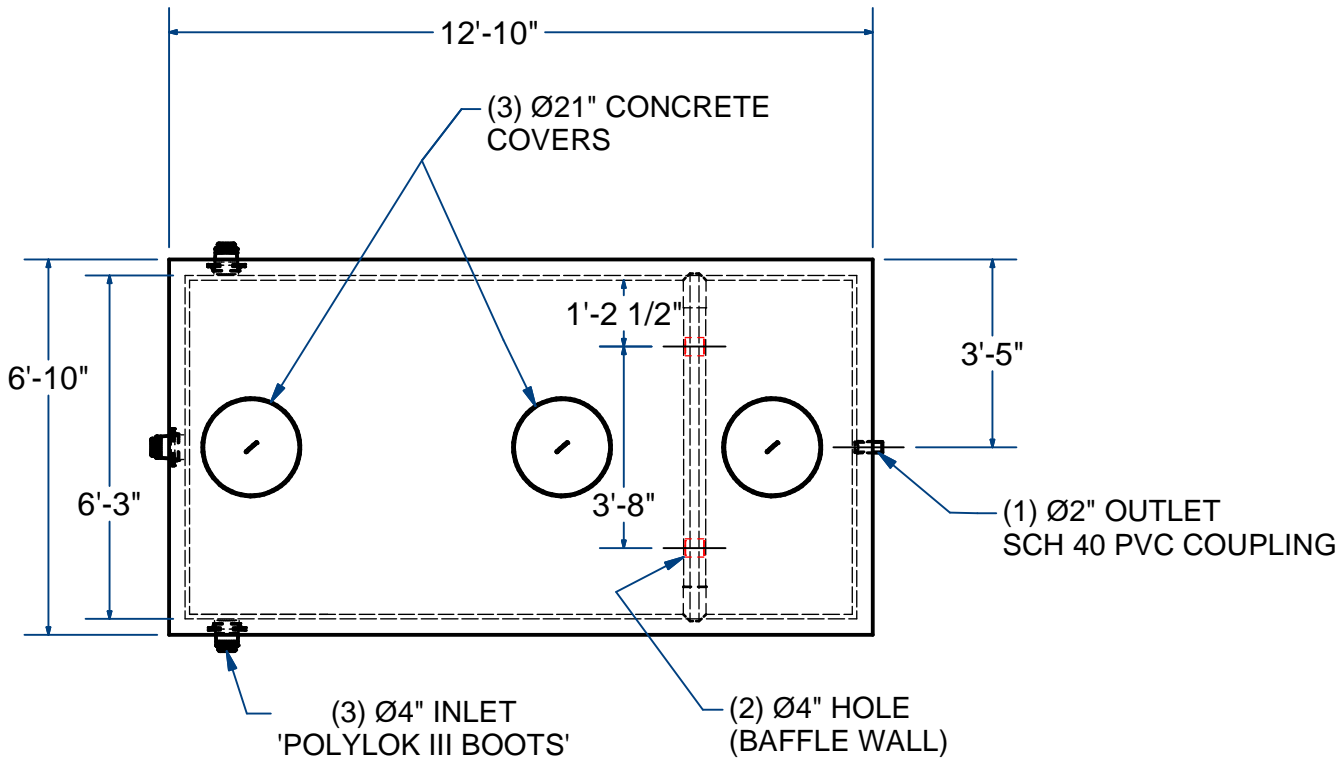
Sht 1 of 2

# ACME-SHOREY

PRECAST CONCRETE PRODUCTS

**NOTES:**

- 1.) SEAM SEALED WITH FLEXIBLE BUTYL RUBBER SEALANT.



VIEW BAFFLE WALL

**NAME:** Staar1.2 SEPTIC TANK, 2000 Gallon, MONO  
(M1200D PROCESSOR)

**H-10**

**ITEM# Staar1.2-20M**

Concrete Minimum Strength: 4,000 p.s.i. at 28 days  
Steel Reinforcement: ASTM A615, Grade 60  
Design Loading: standard units - AASHTO - H-10

TOP 5,000 Lbs  
BOTTOM 14,800 Lbs

H

DATE: 5-20-2021

Ch 7 Pg 6.3 Sht 2 of 2