

ACME-SHOREY

PRECAST CONCRETE PRODUCTS

WWW.ACMeshOREY.COM

PHONE (508) 548-9607

FAX (508) 548-1664

CARVER, MA

334 TREMONT STREET

HARWICH, MA

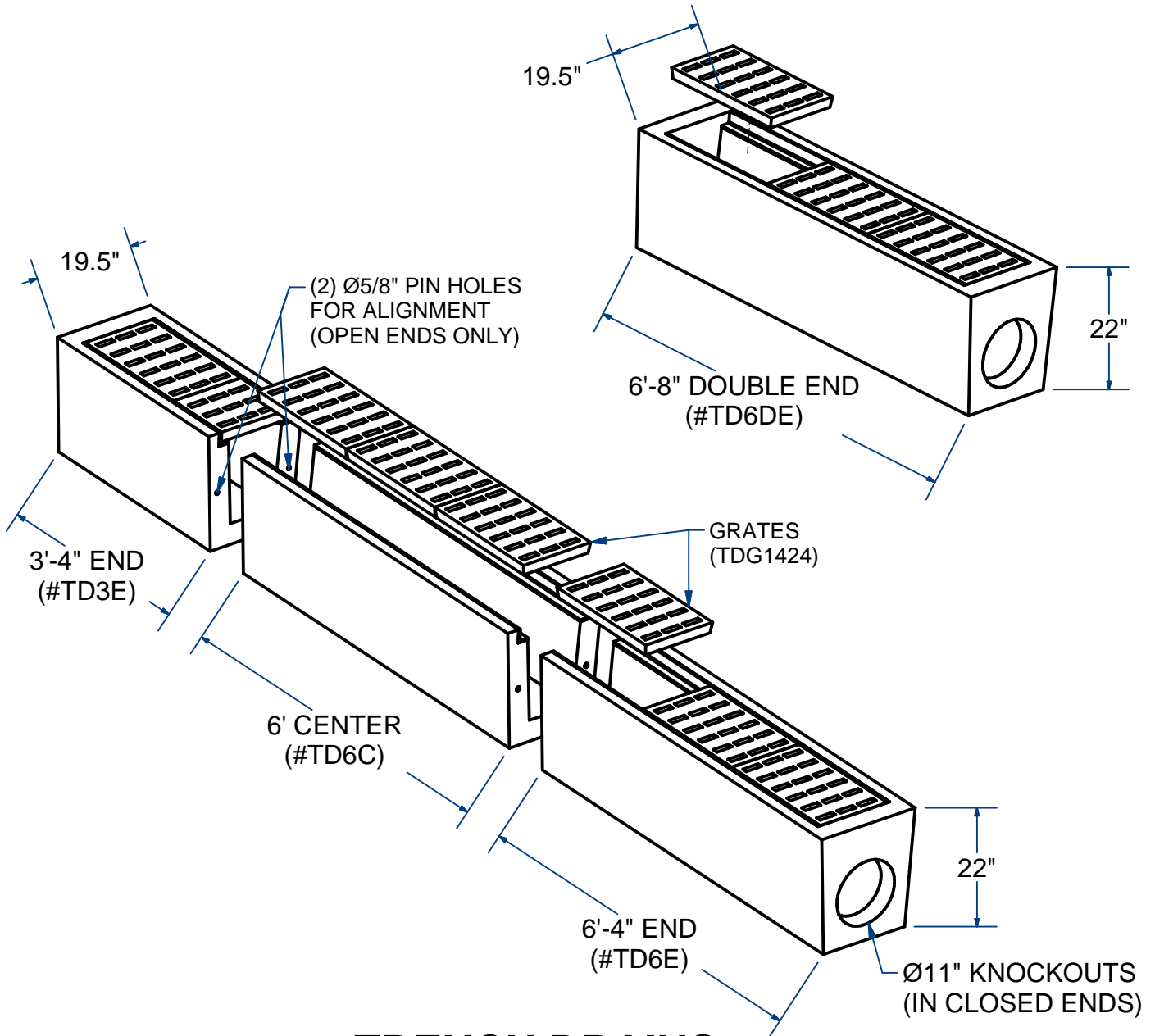
36 GREAT WESTERN ROAD

NOTES:

1.) Wt TRENCH DRAIN = 215 PPF.

Wt GRATE = 30 PPF

2.) DRAINS STANDARD WITH GRATES



TRENCH DRAINS

11" WIDE DRAIN X 16" Ht

H20

ITEM# TD

Wt. TBD Lbs

19-5.1 - 5.5

Sht 1 of 2

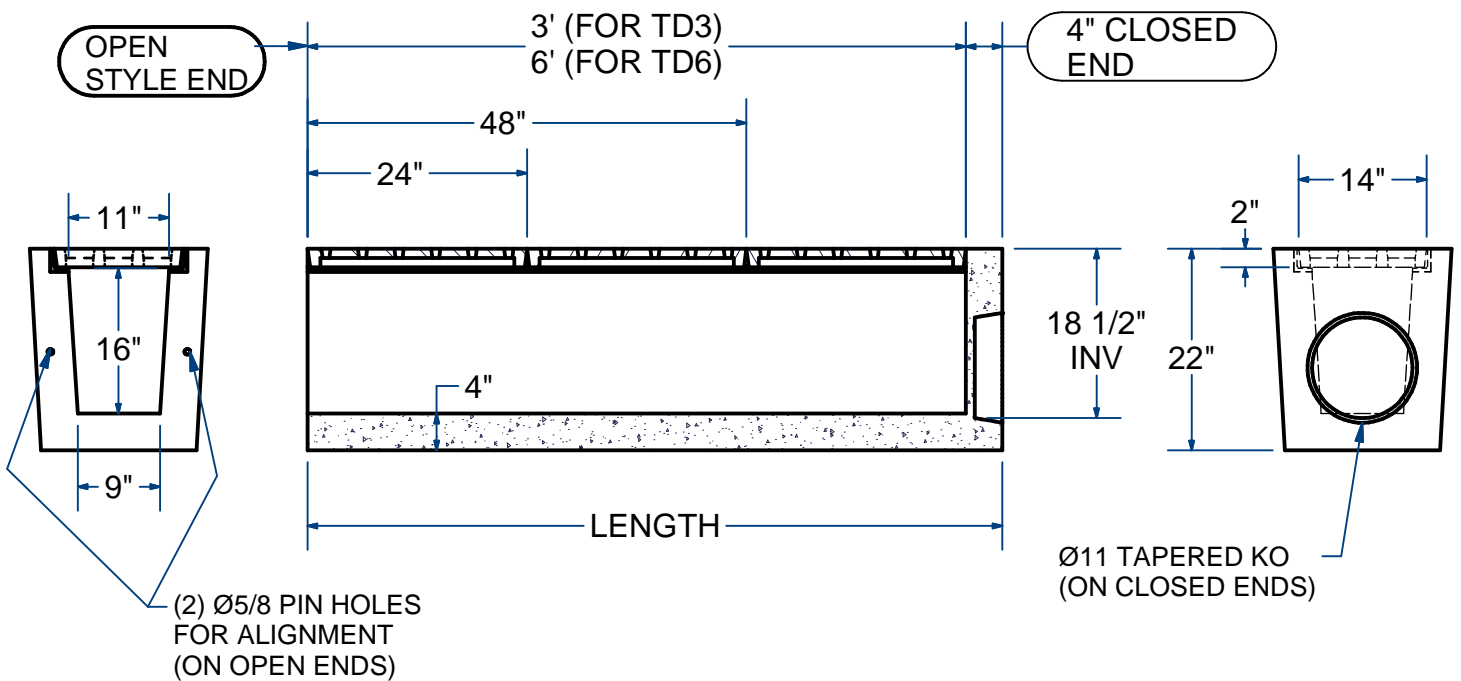
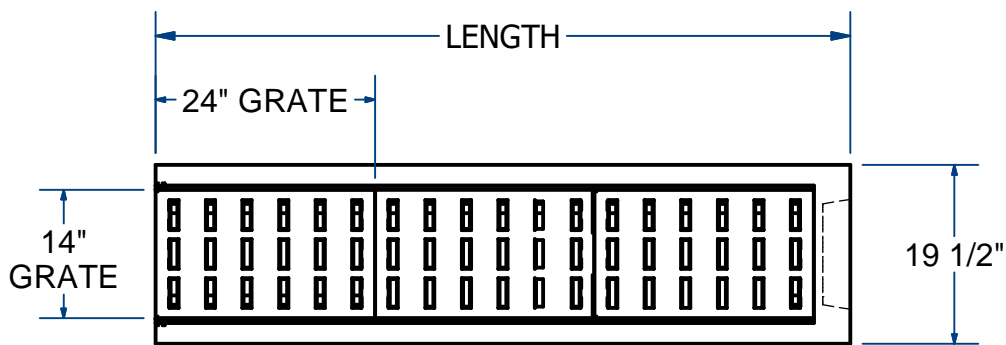
ACME-SHOREY

PRECAST CONCRETE PRODUCTS

NOTES:

1.) DRAINS STANDARD WITH GRATES

ITEM	Description; Trench Drain Component	OPEN END	CLOSED END	LENGTH	CHANNEL WPTH	CHANNEL Ht.	Wt(lbs)	Sct.
TD6E	End Section , One open end	1	1	6'-4"	9" Min	16"	1,425	19 - 5.1
TD6C	Middle Section , Both open ends	2	N/A	6'	9" Min	16"	1,310	19 - 5.2
TD3E	End Section- , One open end	1	1	3'-4"	9" Min	16"	770	19 - 5.3
TD6DE	Double End Section , Both Closed ends	N/A	2	6'-8"	9" Min	16"	1,550	19 - 5.4
TDG1424	Grate Only 14" X 24" X 2" Ht.	N/A	N/A	24"	15"	2.5"	60	19 - 5.5



NAME: TRENCH DRAIN

H-20

ITEM# TD

Concrete Minimum Strength: 5,000 p.s.i. at 28 days
 Steel Reinforcement: ASTM A615, Grade 60
 Design Loading: standard units - AASHTO - H20

WEIGHT GRID

Lbs

C

DATE: 7-22-20

Ch 19 Pg 5.1-5.5 Sht 2 of 2