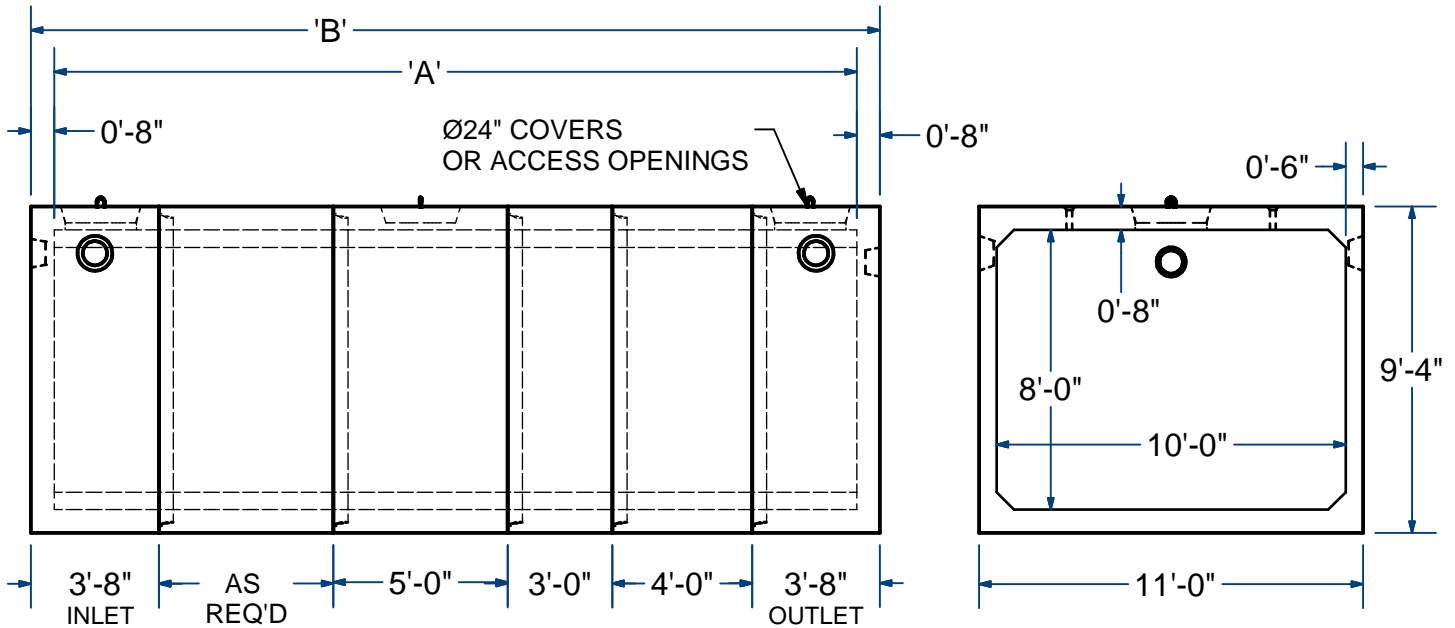


ACME-SHOREY

PRECAST CONCRETE PRODUCTS

NOTES:

- 1.) LARGER GALLON SIZES AVAILABLE.
- 2.) ORING BETWEEN JOINTS
- 3.) OPTIONAL COVERS & ACCESS OPENINGS AVAILABLE.



			1500 Gallon	1500 Gallon	2000 Gallon	2500 Gallon		
	Inner Lgth	Outer Lgth	21,720 Lbs	9,900 Lbs	13,540 Lbs	17,180 Lbs		
Gallons	A'	B'	3'-0" End Sections	3'-0" Mid Sections	4'-0" Mid Sections	5'-0" Mid Sections	Total Weight	
10,000	20'-0"	21'-4"	2	0	1	2	91,340	Lbs
11,000	22'-0"	23'-4"	2	0	4	0	97,600	Lbs
12,000	24'-0"	25'-4"	2	0	2	2	104,880	Lbs
13,000	26'-0"	27'-4"	2	0	0	4	112,160	Lbs
14,000	28'-0"	29'-4"	2	0	3	2	118,420	Lbs
15,000	30'-0"	31'-4"	2	0	1	4	125,700	Lbs
16,000	32'-0"	33'-4"	2	0	4	2	131,960	Lbs
17,000	34'-0"	35'-4"	2	0	2	4	139,240	Lbs
18,000	36'-0"	37'-4"	2	0	0	6	146,520	Lbs
19,000	38'-0"	39'-4"	2	0	3	4	152,780	Lbs
20,000	40'-0"	41'-4"	2	0	1	6	160,060	Lbs
21,000	42'-0"	43'-4"	2	0	4	4	166,320	Lbs
22,000	44'-0"	45'-4"	2	0	2	6	173,600	Lbs
23,000	46'-0"	47'-4"	2	0	5	4	179,860	Lbs
24,000	48'-0"	49'-4"	2	0	3	6	187,140	Lbs
25,000	50'-0"	51'-4"	2	0	6	4	193,400	Lbs
26,000	52'-0"	53'-4"	2	0	4	6	200,680	Lbs
27,000	54'-0"	55'-4"	2	0	2	8	207,960	Lbs
28,000	56'-0"	57'-4"	2	0	0	10	215,240	Lbs
29,000	58'-0"	59'-4"	2	0	3	8	221,500	Lbs
30,000	60'-0"	61'-4"	2	0	1	10	228,780	Lbs

NAME: TUNNEL TANKS , 10,000 - 30,000 Gallons H-20

ITEM# TT-10-30

Concrete Minimum Strength: 5,000 p.s.i. at 28 days
 Steel Reinforcement: ASTM A615, Grade 60
 Design Loading: standard units - AASHTO - H20

WEIGHT CHART Lbs

C

DATE: 8-29-19

ACME-SHOREY

PRECAST CONCRETE PRODUCTS

WWW.ACME-SHOREY.COM

PHONE (508) 548-9607

FAX (508) 548-1664

CARVER, MA

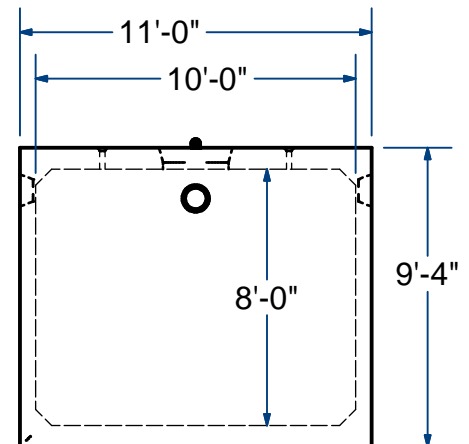
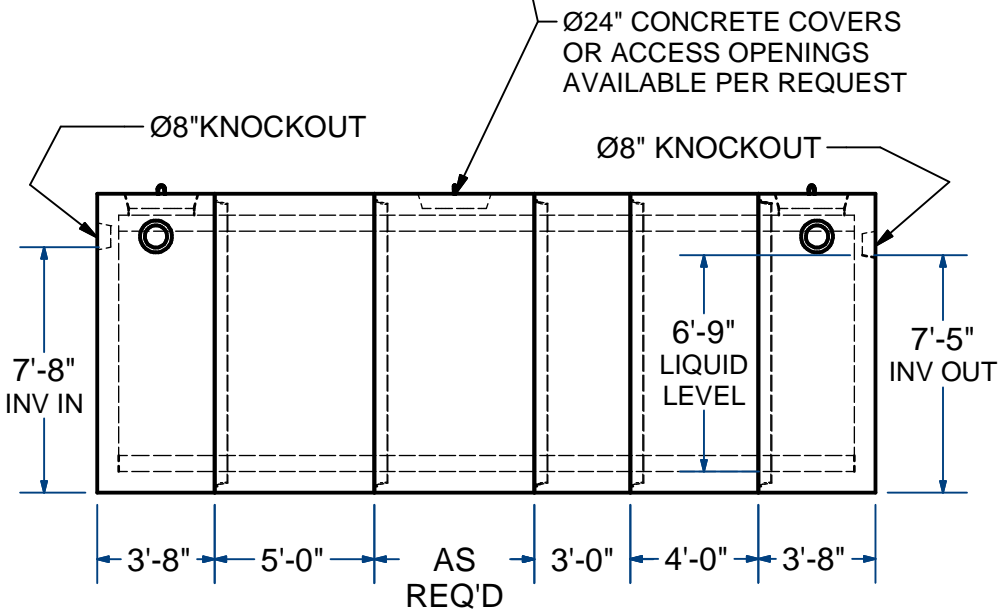
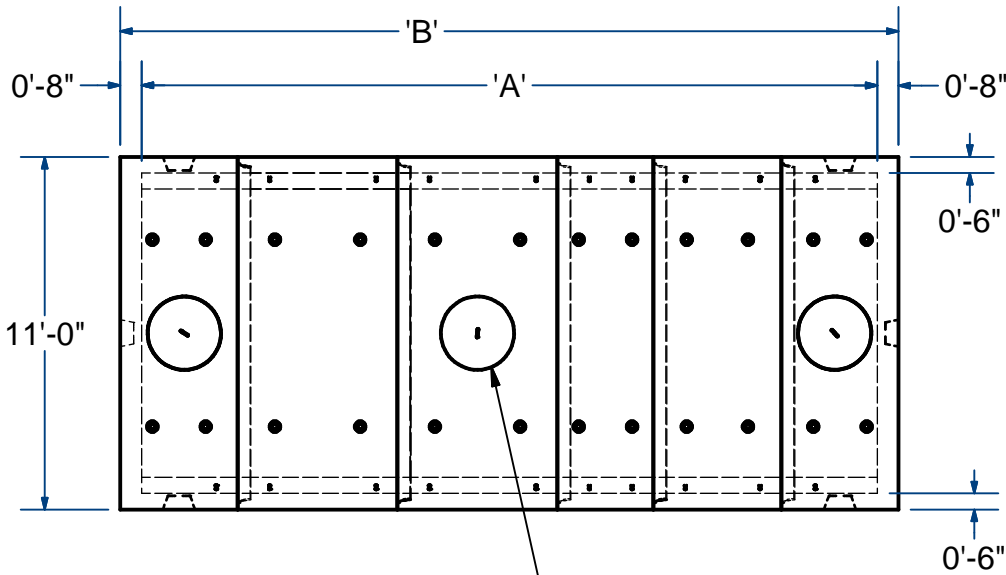
334 TREMONT STREET

HARWICH, MA

36 GREAT WESTERN ROAD

NOTES:

- 1.) LARGER GALLON SIZES AVAILABLE.
- 2.) ORING BETWEEN JOINTS
- 3.) OPTIONAL COVERS & ACCESS OPENINGS AVAILABLE.



TUNNEL TANK

H20

10,000 - 50,000 Gallon

ITEM# TT

Wt. CHART Lbs

17-1

Sht 1 of 3